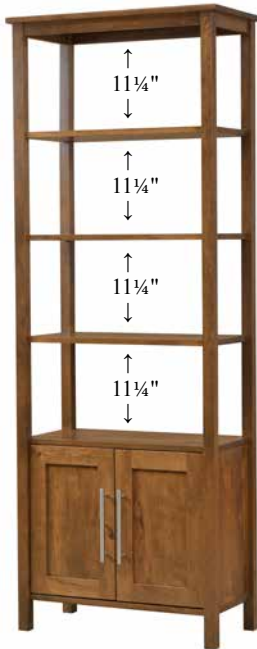




# Bookshelves

## Etagere Shelves



### #18-3080 Bookshelf

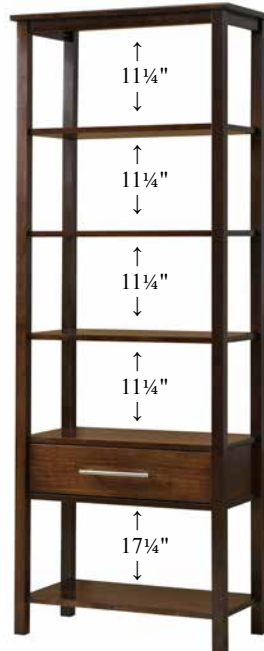
30"W x 14¾"D x 80"H  
With Doors

**Shown in**

*Rustic Cherry OCS-104*

*Pull K-242-SN*

*Door Opening 24"W x 12¼"D x 19¾"H*



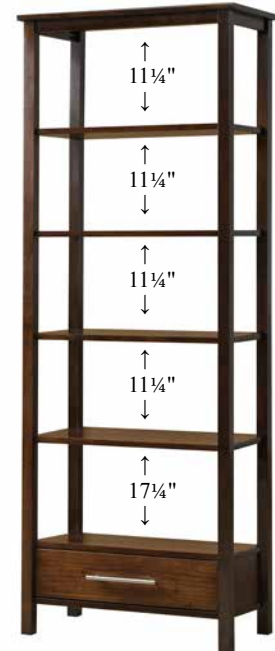
### #18-3081 Bookshelf

30"W x 14¾"D x 80"H  
With Middle Drawer

**Shown in**

*Brown Maple OCS-228*

*Pull K-242-SN*



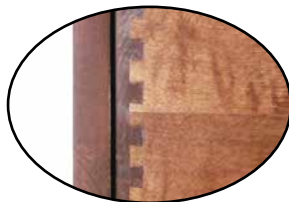
### #18-3082 Bookshelf

30"W x 14¾"D x 80"H  
With Bottom Drawer

**Shown in**

*Brown Maple OCS-228*

*Pull K-242-SN*



• English Dovetail Drawer Boxes



• Drawer Box Same Wood as Cabinet  
• Full Extension Drawer Glides



• Premium Soft Close Anti Rattle Hinge

### Available in!

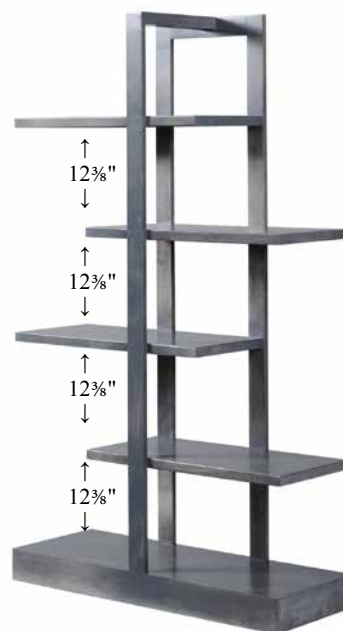
8 Wood species — Oak/Brown Maple/Rustic Cherry/  
Rustic Q.S.W.O./Rustic Hickory/Prime Cherry/Prime  
Q.S.W.O./Prime Hickory Solid Hardwoods

Many Finish Options stains and Paints ETC.

2-Coats High Quality Catalyzed Finish

Extra Protection for Most Household Chemicals and Water

Multiple Hardware Options.

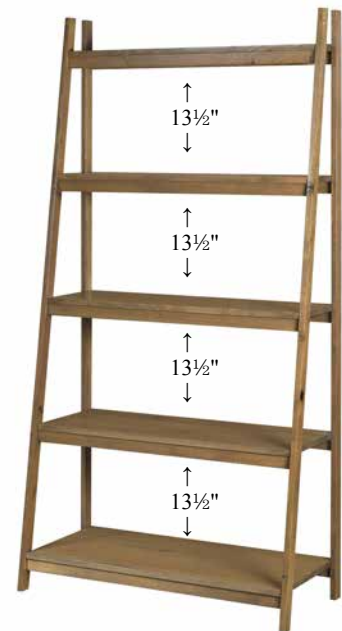


### 18-4272 Display

42"W x 15"D x 72"H

**Shown in**

*Brown Maple OCS-118*



### 18-3085 A-Shelf

36"W x 16"D x 72"H

**Shown in**

*R.Q.S.W.O. OCS-133*

Comfortably relaxing... Comfortably productive...

## Concord Wall Unit



### 9-4084 Center Unit

40½"W x 18½"D x 84¼"H

### 9-2480 Side Unit

26¼"W x 16¼"D x 80¼"H

Shown in

*Rustic Q.S.W.O. OCS-113*

*Knob D-527-A*

Center Unit Door Opening

32"W x 15"D x 24"H

All adjustable shelves

88½" Overall Width

## Barrister Bookcase Wall Unit



### #830 Barrister Bookcase

19" D x 40¼" W x 85¼" H

Shown in

*Oak OCS-102*

*Knob K-107-AEM*



Shown Open



### #834 Bookcase

16¾" D x 22¼" W x 72" H (left)

### #835 Bookcase

16¾" D x 22¼" W x 72" H (right)

Comfortably relaxing... Comfortably productive...

# Stackables

## Mission Stackables



-  
 ↑  
 30½"  
 ↓  
 -  
 ↑  
 26½"  
 ↓  
 -  
 ↑  
 30¼"  
 ↓  
 -

### Door Openings

17-<sup>11</sup>/<sub>16</sub>"W x 15"D x 23"H

#### #910 6-Door Unit

48½"W x 19¾"D x 87¼"H

#### #911 9-Door Unit

68½"W x 19¾"D x 87¼"H

#### #912 12-Door Unit

87½"W x 19¾"D x 87¼"H

#### Shown in

Rustic QSWO OCS-113

Knob D-522-BL

## Traditional Stackables



### Door Openings

17-<sup>11</sup>/<sub>16</sub>"W x 15"D x 23"H

#### #810 6-Door Unit

48½"W x 19¾"D x 87¼"H

#### #811 9-Door Unit

68½"W x 19¾"D x 87¼"H

#### #812 12-Door Unit

87½"W x 19¾"D x 87¼"H

#### Shown in

Rustic Oak SP-10

Knob K-107-ASM



Fixed Shelves 3 Sections for easy assembly



# Office Chairs Seating

*Desk Chairs for the business executive suite or home office.*



**SC-60**  
Side Desk Chair



**DC-55**  
Desk Chair



**SEAC-340**  
Starr Exec Chair



**CE-58**  
Clark Exec Chair

## Leather Samples Shown



Burgundy



Black



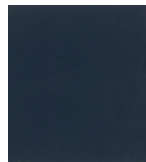
Mahogany



Hunter Green



Pecan



Navy



Bomber  
Brown



Tan



Chocolate  
Brown

## Standard Features

- Gas Lift
- Tilt Lock
- 5 Star Base
- Available in Oak, Brown Maple, Quartersawn White Oak, Cherry, Hickory, or other wood species by request.
- Our chairs are versatile.
- Choose wood species and upholstery fabric or leather to create a truly custom piece.
- Mortise and tenon construction is used to build all our chairs.

## Upholstery

We offer hundreds of Scotch Guard® treated upholstery fabrics. Heartland Fabrics may be viewed at [www.heartland-fabrics.com](http://www.heartland-fabrics.com) Or at any of these locations: Buckeye Rockers Leather, Buckeye Fabrics, Quality Fabrications and Weavers Upholstery.

Comfortably relaxing... Comfortably productive...



**OC-50**  
Office Chair



**MD-51**  
Midland Arm Chair



**DCL-56**  
Low Back Desk Chair



**ED-57**  
Edelweiss Arm Chair



**SCL-61**  
Low Back Side Desk Chair



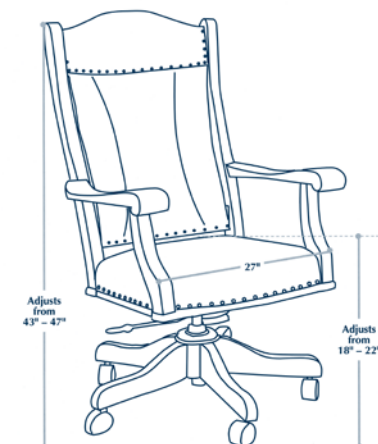
**MS-62**  
Midland Side Chair



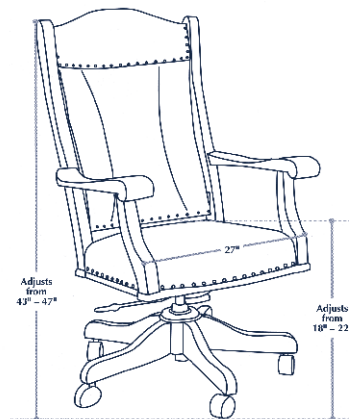
**MDC-255**  
Mission Desk Chair



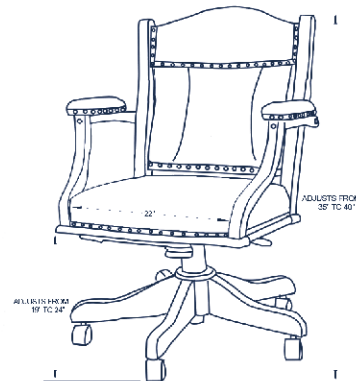
**RDAC-330**  
Royal Desk Arm Chair



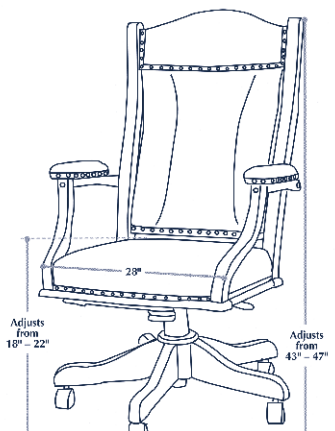
#OC50 Desk Chair



#SC50 Side Chair



DCL-56



#DC55 Desk Chair



# Heirwood Computer Centers

Available in Oak, Cherry and Q.S.W.O.

Choose from three styles



Traditional



Mission



Shaker



## #70 2-Piece Computer Center

50½"W x 27"D x 78"H

Pull-out Shelf and Fold-out Table

*Shown in*

Oak OCS-102

Knob K-107-AEM



## #72 2-Piece Computer Center

40½"W x 24"D x 69¼"H

*Shown in*

Oak OCS-102

Knob K-107-AEM



3 Dimensional Drawings on the Back



## #73 2-Piece Computer Center

57½"W x 26"D x 73½"H

Monitor Opening 26¼"W x 22¼"D x 23¼"H

*Shown in*

Cherry OCS-107

Knob K-803-BI



## #76 2-Piece Computer Center

54¼"W x 26"D x 67¾"H

Monitor Opening 30¼"W x 22½"D x 28½"H

*Shown in*

Oak OCS-102

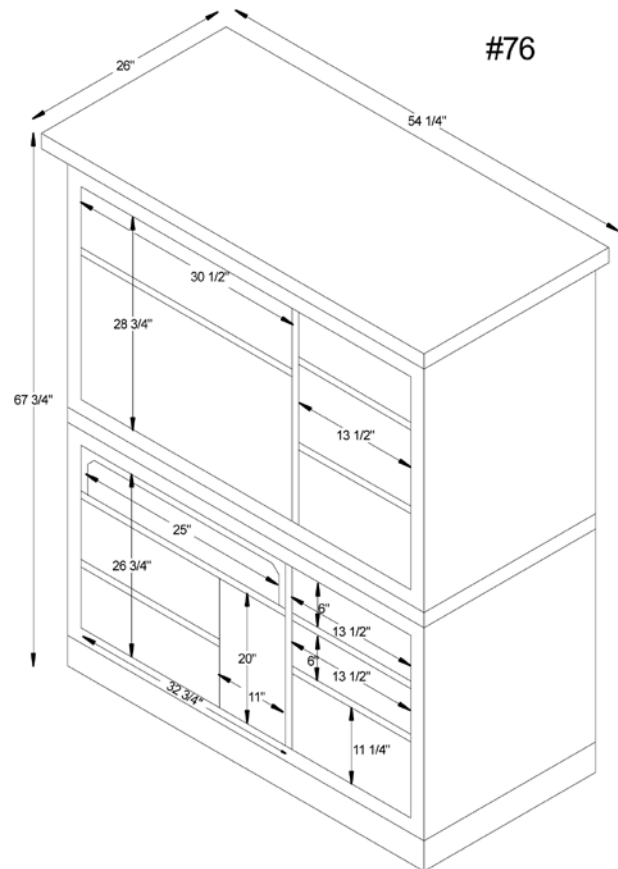
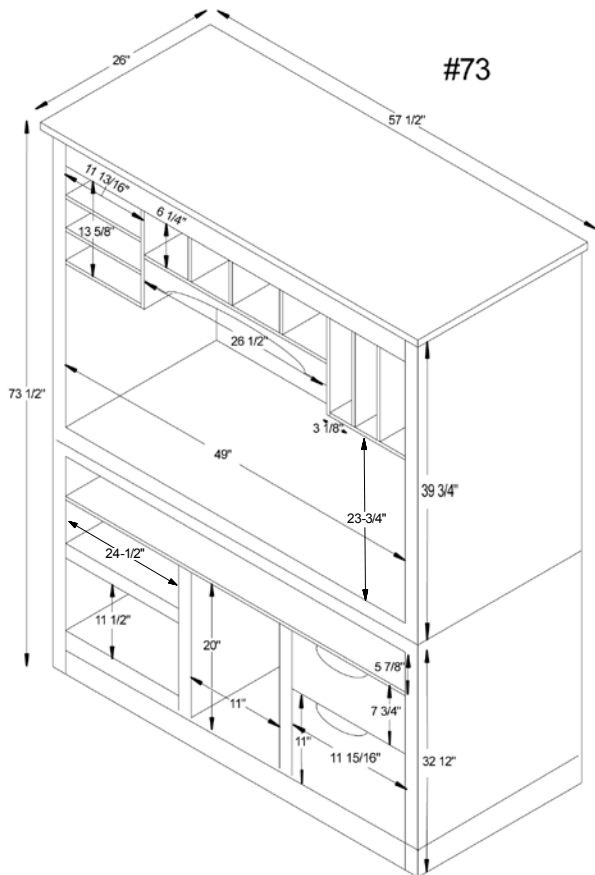
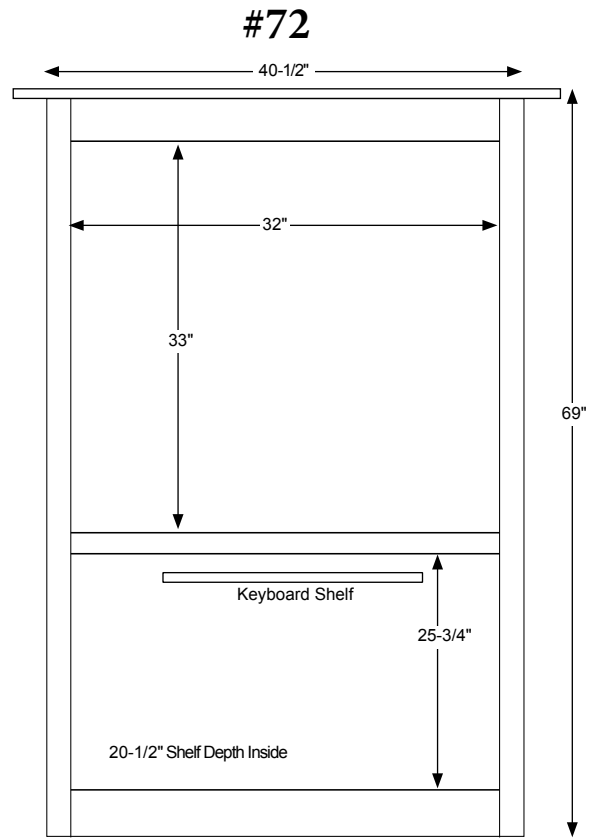
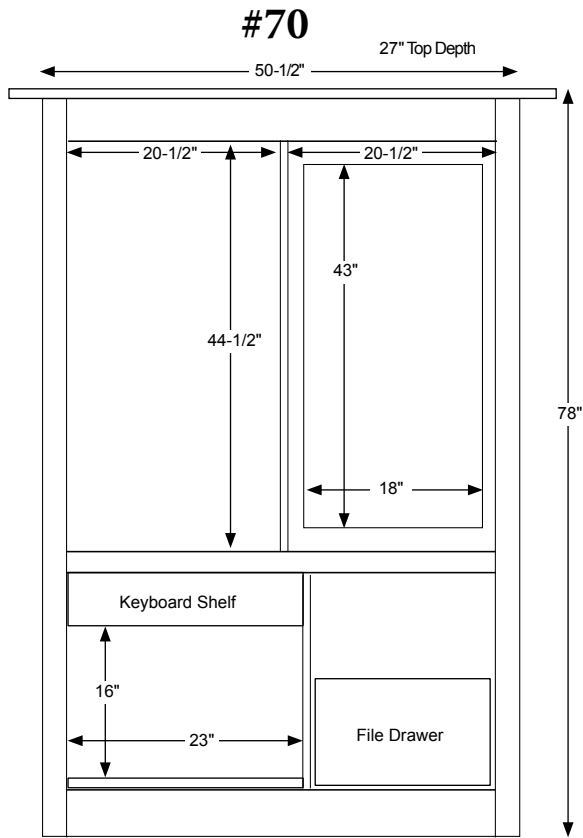
Knob K-107-AEM



Comfortably relaxing... Comfortably productive...

# Dimensions

Note! Dimensions on Doors and Openings Represent Opening Size



# Heirwood Corner Computer Centers



Std. Hardware



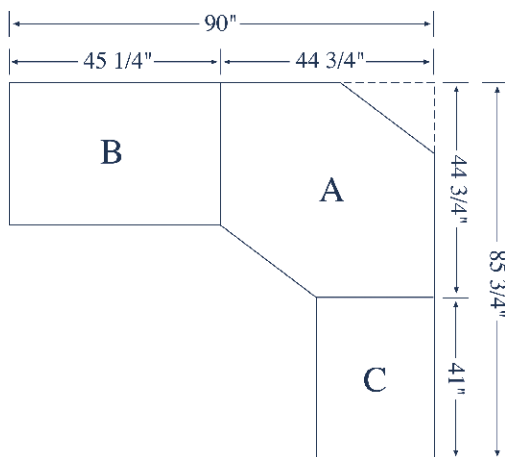
Knob K-107-AEM

## #80 6-piece Deluxe Corner Computer Center

Left wall space 90" W x 24" D;  
 Right wall space 85 3/4" W x 24" D;  
 Ends 70" H; Corner 74 3/4" H  
 Monitor Opening 28 1/4" W x 28 1/2" D x 22" H  
 Printer Opening 21 1/4" W x 20" D x 13 1/2" H  
 Tower Opening 11" W x 22 1/4" D x 23 1/2" H

*Shown in*  
 Oak OCS-102  
 Knob K-107-AEM

#80 Shown with Doors Closed



Available in Oak, Cherry, Quartersawn White Oak

Choose from three styles



Traditional



Mission



Shaker

Comfortably relaxing... Comfortably productive...



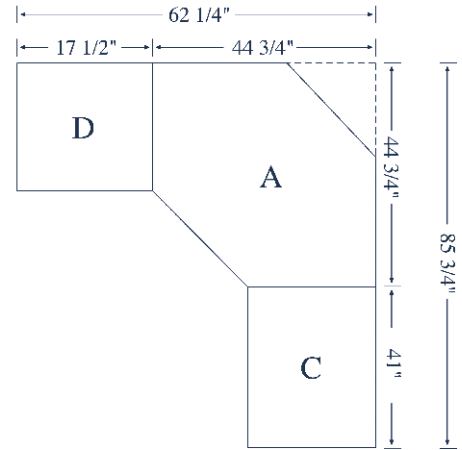
## #81 6-piece Corner Computer Center

Left wall space 62¼"W x 24"D  
 Right wall space 85¾"W x 24"D  
 Ends 70"H Corner 74¾"H  
 Monitor Opening 38¼"W x 28½"D x 22"H  
 Printer Opening 21¼"W x 20"D x 13½"H  
 Tower Opening 11"W x 22¼"D x 23½"H

*Shown in*  
**Oak OCS-102**  
*Knob K-107-AEM*



Shown with Doors Closed

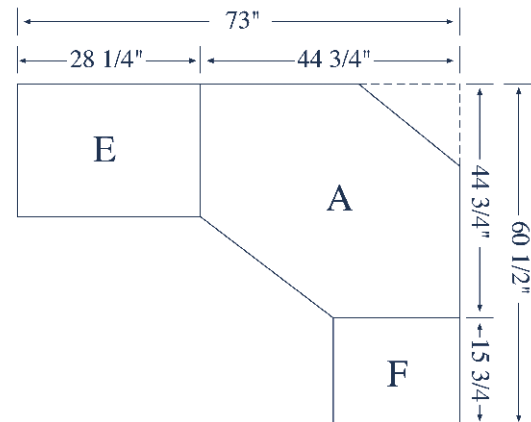


## #82 6-piece Corner Computer Center

Left wall space 73"W x 24"D  
 Right wall space 60½"W x 24"D  
 Ends 70" H; Corner 74¾"H  
 Monitor Opening 38¼"W x 28½"D x 22"H  
 Printer Opening 21¼"W x 20"D x 13½"H  
 Tower Opening 11"W x 22¼"D x 23½"H

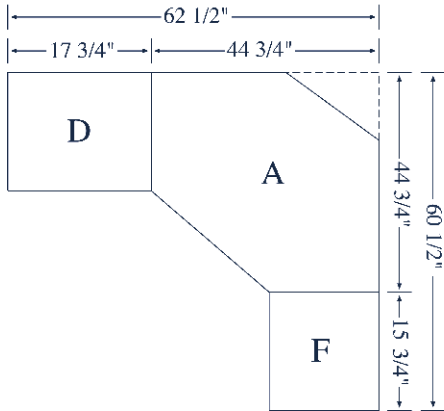
*Shown in*  
**Oak OCS-102**  
*Knob K-107-AEM*

Shown with Doors Closed



Comfortably relaxing... Comfortably productive...

Shown with Doors Closed



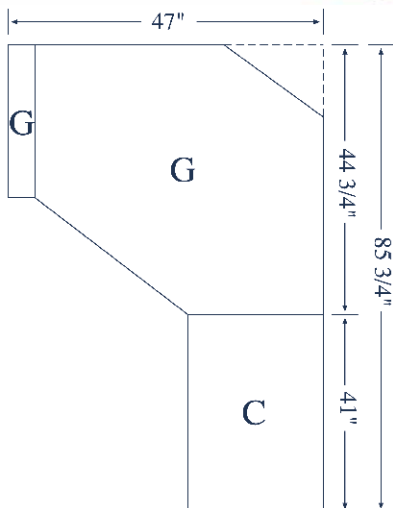
### #83 6-piece Corner Computer Center

Left wall space 62¼"W x 24"D  
 Right wall space 60½"W x 24"D  
 Ends 70"H Corner 74¾"H  
 Monitor Opening 38¼"W x 28½"D x 22"H  
 Printer Opening 21¼"W x 20"D x 13½"H  
 Tower Opening 11"W x 22¼"D x 23½"H

*Shown in*  
 Oak OCS-102  
 Knob K-107-AEM



Shown with Doors Closed



### #84 4-piece Corner Computer Center

Left wall space 47"W x 24"D  
 Right wall space 85¾"W x 24"D  
 Ends 70"H; Corner 74¾"H  
 Monitor Opening 38¼"W x 28½"D x 22"H  
 Printer Opening 21¼"W x 20"D x 13½"H  
 Tower Opening 11"W x 22¼"D x 23½"H

*Shown in*  
 Oak OCS-102  
 Knob K-107-AEM

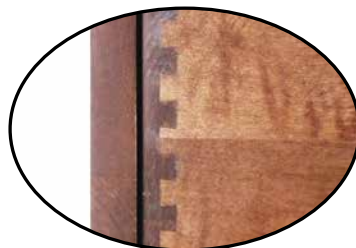




# Writing Desks



• All Desks Have Finished Backs



• English Dovetail Drawer Boxes



• Drawer Box Same Wood as Cabinet  
• Full Extension Drawer Glides



• All Desks Available With  
Optional Laptop Drawer  
No Upcharge

**Writing Desks** — *Customized to your taste.*

## Standard Features

Manufactured in America  
With American hardwoods  
Finished with American finishes  
By American workers  
Equals heirloom quality that can last for generations.

## Available in!

8 Wood species — Oak/Brown Maple/Rustic Cherry/  
Rustic Q.S.W.O./Rustic Hickory/Prime Cherry/Prime  
Q.S.W.O./Prime Hickory Solid Hardwoods

Many Finish Options stains and Paints ETC.  
2-Coats High Quality Catalyzed Finish  
Extra Protection for Most Household Chemicals and Water  
Multiple Hardware Options.

## Warranties

1 year on seasonal splits under normal conditions  
(35% to 50% Humidity)  
1 year on finishing malfunction bubbling cracking etc.  
(Note! Will not cover if in direct sunlight or chewed on by pets)  
10 year limited on any construction malfunctions  
10 year limited on any hardware related malfunctions  
(Hinges drawer slides pulls knobs under normal use)

Comfortably relaxing... Comfortably productive...

## Arlington

*Shown in*  
Rustic Cherry  
OCS-106

*Hardware*  
Knob P-2286-OBH



17-870

**#17-870**

48"W x 24"D x 30½"H 1-Drawer

**#17-871**

60"W x 24"D x 30½"H 3-Drawer

## Avondale

*Shown in*  
Brown Maple  
OCS-342

*Hardware*  
Knob 55271-BBR



19-3593

**#19-3593**

48"W x 24"D x 30½"H 1-Drawer

**#19-3594**

60"W x 24"D x 30½"H 3-Drawer

## Belgium

*Shown in*  
Rustic Q.S.W.O.  
OCS-121

*Hardware*  
Knob D-523-BL



19-3597

**#19-3597**

48"W x 24"D x 30½"H 3-Drawer

**#19-3598**

60"W x 24"D x 30½"H 3-Drawer

## Coventry Mission

*Shown in*  
R.Q.S.W.O.  
OCS-113

*Hardware*  
Knob 910-SBN



16-971

**#16-970**

48"W x 24"D x 30¼"H 1-Drawer

**#16-971**

60"W x 24"D x 30½"H 3-Drawer

## Capri

*Shown in*  
Br. Maple  
OCS-120

*Hardware*  
Knob 530142-SN  
Pull 4656-SN



1721

**#1720**

48"W x 24"D x 30½"H 2-Drawer

**#1721**

60"W x 24"D x 30½"H Shown

## Capri

*Shown in*  
Rustic Cherry  
OCS-134

*Hardware*  
Knob 530142-SN  
Pull 4656-SN



1725

**#1724**

48"W x 24"D x 30½"H 2-Drawer Comes with one file drawer on left

**#1725**

60"W x 24"D x 30½"H Shown

Comfortably relaxing... Comfortably productive...

## Denali

*Shown in*  
Br. Maple  
OCS-132

*Hardware*  
Knob K4618-SN  
Pull K773-SN



1730

### #1730

48"W x 24"D x 30½"H Shown

### #1731

60"W x 24"D x 30½"H 2-Side shelves

## Denali

*Shown in*  
Rustic Q.S.W.O.  
OCS-133

*Hardware*  
Knob K4618-SN  
Pull K773-SN



1735

### #1734

48"W x 24"D x 30½"H 2-Drawer

### #1735

60"W x 24"D x 30½"H Shown



1734

## Highland

*Shown in*  
Oak  
OCS-102

*Hardware*  
Knob K-107-AEM



17-731

### #17-730

48"W x 24"D x 30½"H 1-Drawer

### #17-731

60"W x 24"D x 30½"H 3-Drawer

## Jasper

*Shown in*  
Rustic Cherry  
OCS-113

*Hardware*  
Knob P-3230-OBH



19-3541

### #19-3541

48"W x 24"D x 30½"H 1-Drawer

### #19-3542

60"W x 24"D x 30½"H 1-Drawer

## La-Salle Urban

*Shown in*  
Brown Maple  
OCS-230

*Hardware*  
Pull K-3489-SN  
Pull K-242-SN



3541

### #18-570

48"W x 24"D x 30½"H 1-Drawer

### #18-571

60"W x 24"D x 30½"H 3-Drawer

## Lindon

Queen Anne

*Shown in*  
Cherry  
OCS-106

*Hardware*  
Pull 876-AE



1711

### #1710

48"W x 24"D x 29¼"H 2-Drawer

### #1711

60"W x 24"D x 29¼"H 3-Drawer

## Prairie Mission

*Shown in*  
Q.S.W.O.  
OCS-113

*Hardware*  
Knob 55271-BBR



16-671

**#16-670**

48"W x 24"D x 30½"H 1-Drawer

**#16-671**

60"W x 24"D x 30½"H 3-Drawer

## Rivertowne

*Shown in*  
Q.S.W.O.  
OCS-113

*Hardware*  
Knob D-523-BL



16-271

**#16-270**

48"W x 24"D x 30½"H 1-Drawer

**#16-271**

60"W x 24"D x 30½"H 3-Drawer

## Viking

*Shown in*  
Brown Maple  
OCS-120

*Hardware*  
Knob K-803-BI



19-3546

**#19-3546**

48"W x 24"D x 30½"H 3-Dawer

**#19-3547**

60"W x 24"D x 30½"H 3-Dawer

## Woodland Shaker

*Shown in*  
Brown Maple  
OCS-121

*Hardware*  
Knob 55271-BBR



16-170

**#16-170**

48"W x 24"D x 30½"H 1-Dawer

**#16-171**

60"W x 24"D x 30½"H 3-Dawer

## Woodbury

*Shown in*  
Brown Maple  
OCS-117

*Hardware*  
Knob D-523-BL



17-570

**#17-570**

48"W x 24"D x 30½"H 1-Dawer

**#17-571**

60"W x 24"D x 30½"H 3-Dawer

Comfortably relaxing... Comfortably productive...



# Lift Desks

Shown in Cherry OCS-104



Features  
One Front Drawer  
Metal Legs

**Low**



**Mid**



**High**

## #2065 Lift Desks

54"W x 24"D x 28¼ to 45¼"H

**Lifts from 28¼" to 45¼"**

## Benefits of Standing

per Medical research

- Improves Posture
- Strengthens Back Muscles
- Lowers Blood Sugar Levels
- Improves Blood Circulation
- Increases Energy Levels
- Reduces Stress
- Enhances Productivity

**New Easy to Use  
Simple Design**

Electric Button to  
Raise or Lower Desk

**Std. Hardware**



*Pull - K-242-SN*

## Mechanism Warranties

Parts are guaranteed for two years; however, seller MAKES NO WARRANTIES, EITHER WRITTEN, ORAL, EXPRESS, IMPLIED, or STATUTORY relating to the LIMITATION OF goods purchased from or through seller. RESELLER HEREBY EXCLUDES ANY WARRANTY OF BUYER'S REMEDIES MERCHANT ABILITY OR FITNESS FOR A PARTICULAR PURPOSE. Buyer waives all claims against seller relating to goods purchased from or through seller, and agrees to assert all claims for breach of warranty, contract, or tort against the manufacturer of the goods. The parties agree that buyer's sole and exclusive remedy shall be for the repair or replacement of defective goods by the manufacturer in accordance with the manufacturer's customary warranty. All specifications and engineering information have been obtained from the product manufacturers for buyer's convenience only. Seller does not assume responsibility for accuracy of the formation provided by the manufacturer.

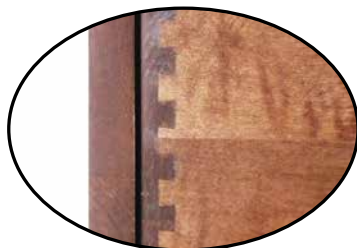
**Motor: 2 years**

**Metal Parts: 2 years**



Shown in Brown Maple OCS-113

# Arlington Modular Office Suite



• English Dovetail Drawer Boxes



• Drawer Box Same Wood as Cabinet  
• Full Extension Drawer Glides



• Premium Soft Close Anti Rattle Hinges

Std. Hardware



Knob - P-2286-OBH



Pull - P-2280-OBH

**Desks/Hutches/Bookcases/File Cabinets — Customized to your taste.**

## Standard Features

Manufactured in America  
With American hardwoods  
Finished with American finishes  
By American workers  
Equals heirloom quality that can last for generations.

## Available in!

8 Wood species — Oak/Brown Maple/Rustic Cherry/  
Rustic Q.S.W.O./Rustic Hickory/Prime Cherry/Prime  
Q.S.W.O./Prime Hickory Solid Hardwoods

Many Finish Options stains and Paints ETC.

2-Coats High Quality Catalyzed Finish

Extra Protection for Most Household Chemicals and Water  
Multiple Hardware Options.

## Warranties

1 year on seasonal splits under normal conditions  
(35% to 50% Humidity)

1 year on finishing malfunction bubbling cracking etc.  
(Note! Will not cover if in direct sunlight or chewed on by pets)

10 year limited on any construction malfunctions

10 year limited on any hardware related malfunctions  
(Hinges drawer slides pulls knobs under normal use)

Comfortably relaxing... Comfortably productive...



# Arlington Modular Desks and Hutches

Shown in Brown Maple OCS-113



**#838 60" Hutch**  
60"W x 13½"D x 32"H  
- 4 Adjustable Shelves  
- Letter/Paper Storage



**#836 48" Hutch**  
48"W x 13½"D x 32"H  
- 2 Adjustable Shelves



**#849 60" Credenza**  
60"W x 24"D x 30¾"H  
- 4 File Drawers  
- 1 Adjustable Shelf



**#846 48" Credenza**  
48"W x 24"D x 30¾"H  
- 2 File Drawers  
- 1 Adjustable Shelf



**#848 60" Desk**  
60"W x 24"D x 30¾"H  
- Laptop Pullout Drawer  
- 2 Storage Drawers



**#845 48" Desk**  
48"W x 24" D x 30¾" H  
- Laptop Pullout Drawer



Only Base Unit Backs Finished For Middle Room Exposure

Comfortably relaxing... Comfortably productive...

# Arlington Modular Files and Corner Desks

Shown in Brown Maple OCS-113



**#840 Corner Table**  
24"W x 24"D x 30¾"H  
- 1 Lower Shelf



**#841 Corner Desk**  
65"W x 30"D x 30¾"H  
(Wall Space 45½")  
- 1 Laptop Pullout Drawer



**#843 Lateral File**  
32¼"W x 24"D x 30¾"H  
- 2 File Drawers



**#844 Rolling File on Casters**  
(Rolls under #845 and #848 Desks)  
17"W x 22"D x 24"H  
- 1 Storage Drawer  
- 1 File Drawer

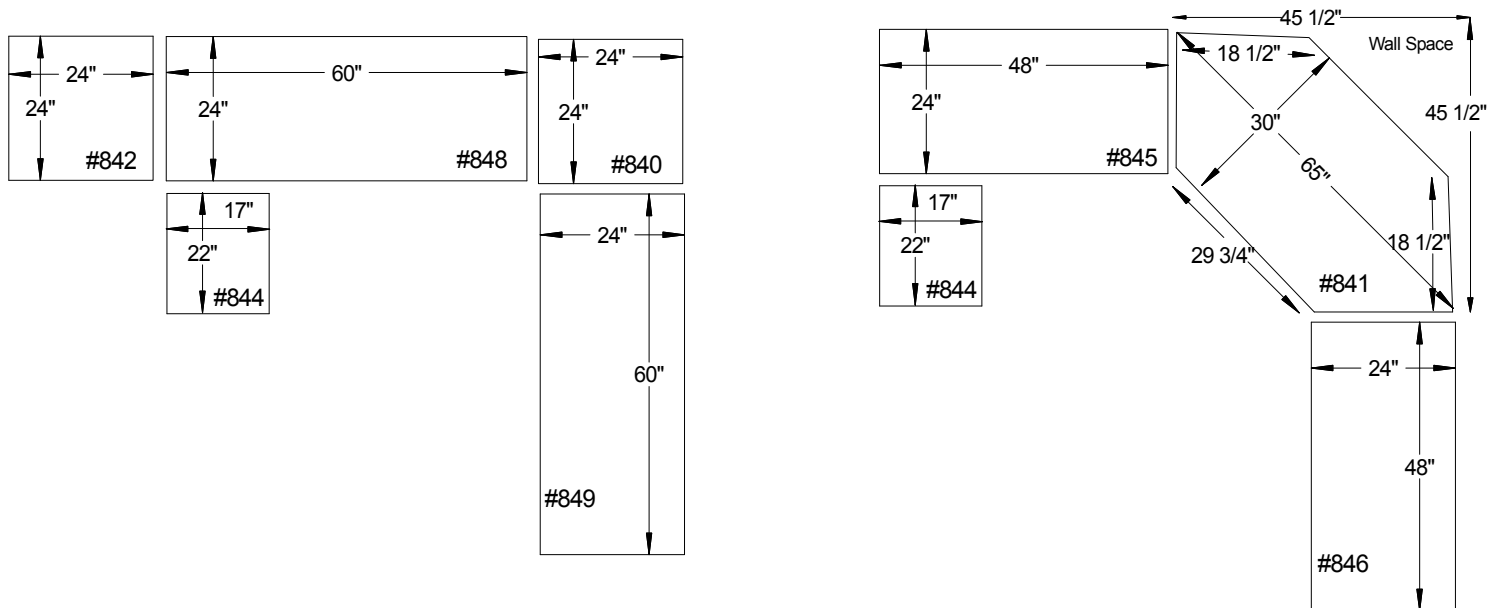


**#842 File**  
24"W x 24"D x 30¾"H  
- 2 File Drawers



Finished Backs Featured  
on Corner Desk Corner  
Table and Files

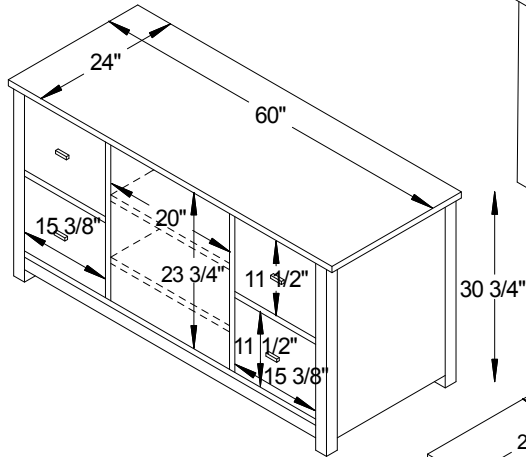
## Floor Plan Layouts



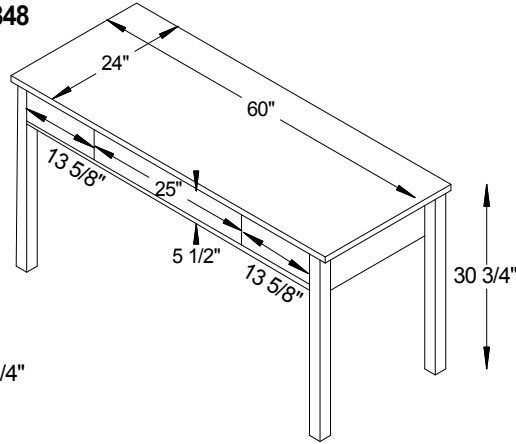
# Arlington Modular Dimensions

Note! Dimensions on Doors and Openings Represent Opening Size

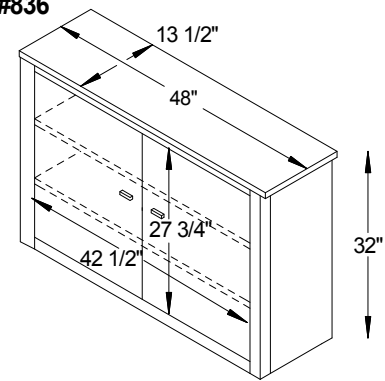
#849



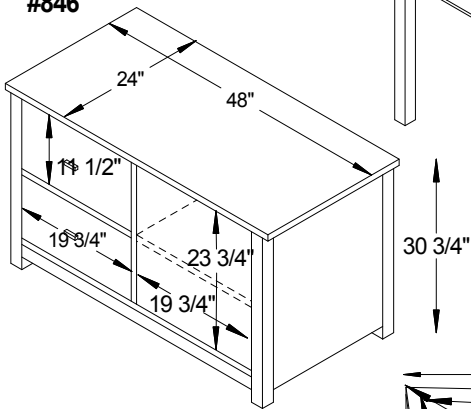
#848



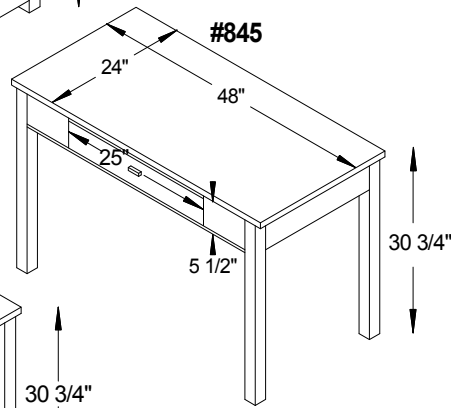
#836



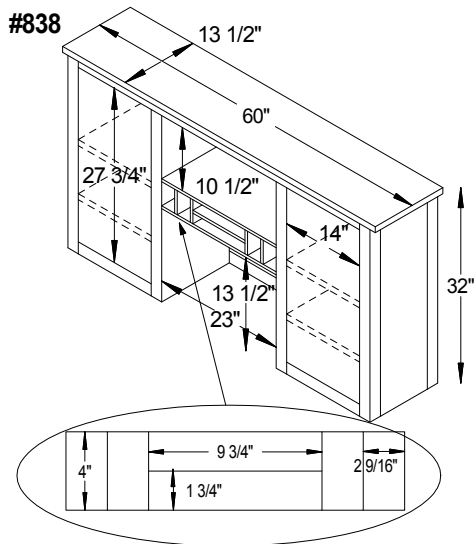
#846



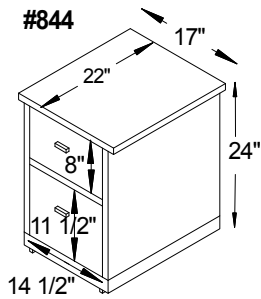
#845



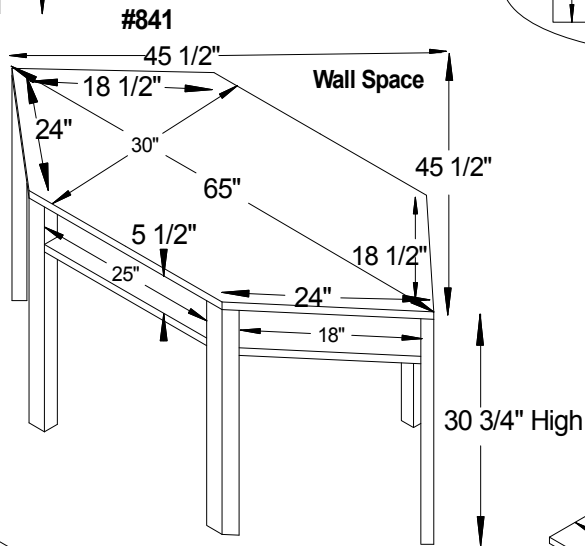
#838



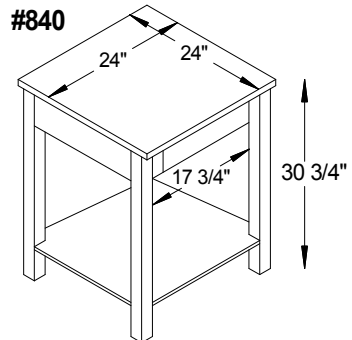
#844



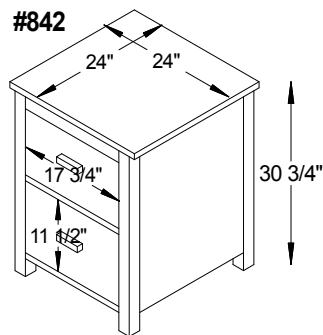
#841



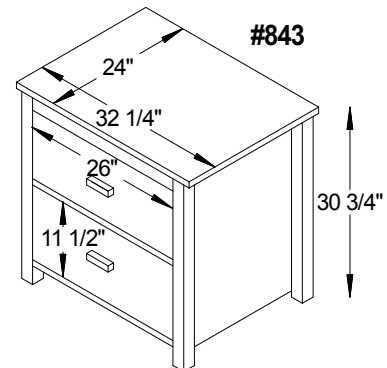
#840



#842



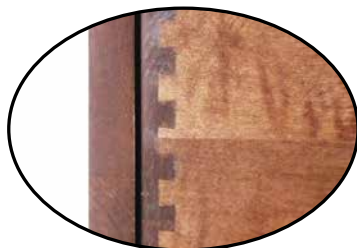
#843





Shown in R.Q.S.W.O. OCS-117

# Clark Mission Modular Office Suite



• English Dovetail Drawer Boxes



• Drawer Box Same Wood as Cabinet  
• Full Extension Drawer Glides



• Premium Soft Close Anti Rattle Hinges

### Std. Hardware



Knob - 55271-BBR



Pull - 55275-BBR

**Desks/Hutches/Bookcases/Cabinets — Customized to your taste.**

## Standard Features

Manufactured in America  
With American hardwoods  
Finished with American finishes  
By American workers  
Equals heirloom quality that can last for generations.

## Available in!

8 Wood species — Oak/Brown Maple/Rustic Cherry/  
Rustic Q.S.W.O./Rustic Hickory/Prime Cherry/Prime  
Q.S.W.O./Prime Hickory Solid Hardwoods

Many Finish Options stains and Paints ETC.  
2-Coats High Quality Catalyzed Finish  
Extra Protection for Most Household Chemicals and Water  
Multiple Hardware Options.

## Warranties

1 year on seasonal splits under normal conditions  
(35% to 50% Humidity)  
1 year on finishing malfunction bubbling cracking etc.  
(Note! Will not cover if in direct sunlight or chewed on by pets)  
10 year limited on any construction malfunctions  
10 year limited on any hardware related malfunctions  
(Hinges drawer slides pulls knobs under normal use)

Comfortably relaxing... Comfortably productive...

# Clark Mission Modular Desks and Hutches

Shown in R.Q.S.W.O. OCS-117



**#938 60" Hutch**  
 60"W x 13½"D x 32"H  
 - 4 Adjustable Shelves  
 - Letter/Paper Storage



**#936 48" Hutch**  
 48"W x 13½"D x 32"H  
 - 2 Adjustable Shelves



**#949 60" Credenza**  
 60"W x 24"D x 30¾"H  
 - 4 File Drawers  
 - 1 Adjustable Shelf



**#946 48" Credenza**  
 48"W x 24"D x 30¾"H  
 - 2 File Drawers  
 - 1 Adjustable Shelf



**#948 60" Desk**  
 60"W x 24"D x 30¾"H  
 - Laptop Pullout Drawer  
 - 2 Storage Drawers



**#945 48" Desk**  
 48"W x 24" D x 30¾"H  
 - Laptop Pullout Drawer



Only Base Unit Backs Finished For Middle Room Exposure

Comfortably relaxing... Comfortably productive...

# Clark Mission Modular Files and Corner Desks

Shown in R.Q.S.W.O. OCS-117



**#940 Corner Table**  
24"W x 24"D x 30¾"H  
- 1 Lower Shelf



**#941 Corner Desk**  
65"W x 30"D x 30¾"H  
- 1 Laptop Pullout Drawer



**#943 Lateral File**  
32½"W x 24"D x 30¾"H  
- 2 File Drawers



**#944 Rolling File**  
(Rolls under #945 and #948 Desks)  
17"W x 22"D x 24"H  
- 1 Storage Drawer  
- 1 File Drawer

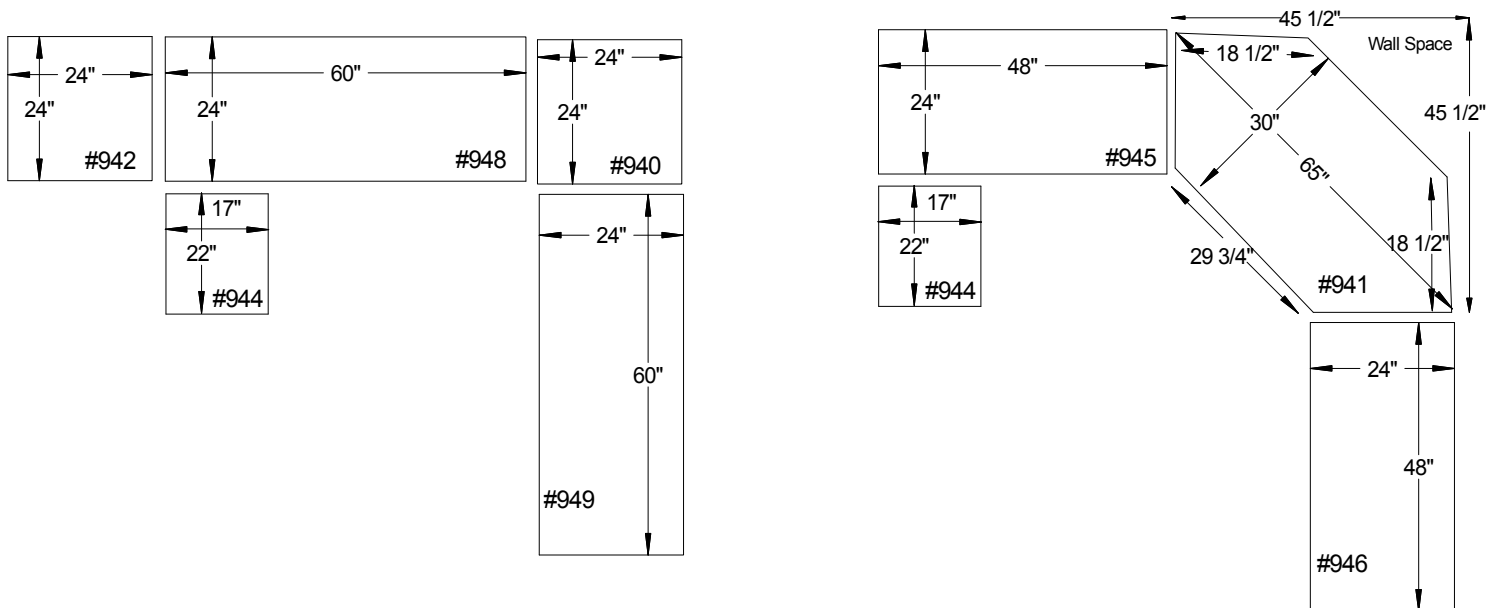


**#942 File**  
24"W x 24"D x 30¾"H  
- 2 File Drawers



Finished Backs Featured  
on Corner Desk Corner  
Table and Files

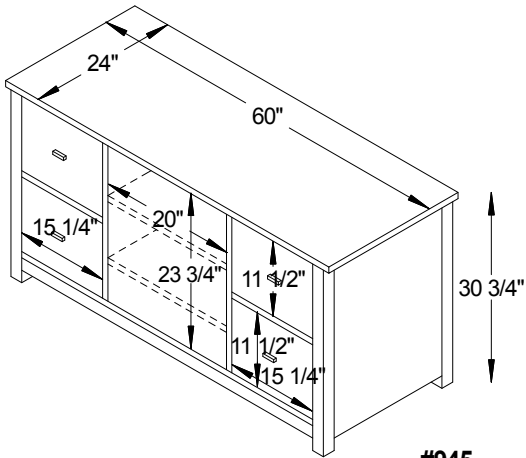
## Floor Plan Layouts



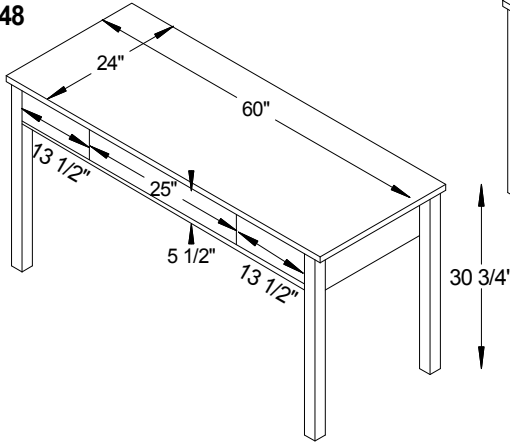
# Mission Modular Dimensions

Note! Dimensions on Doors and Openings Represent Opening Size

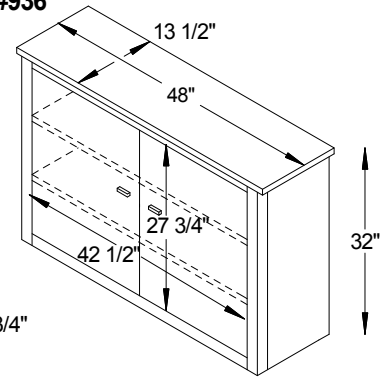
#949



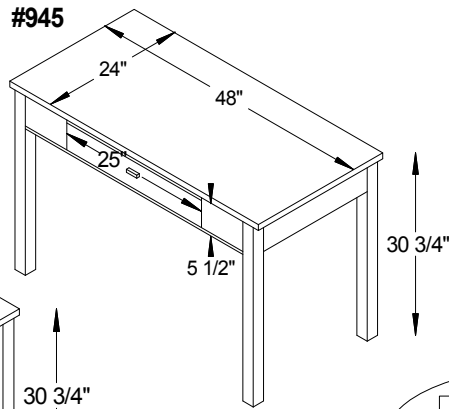
#948



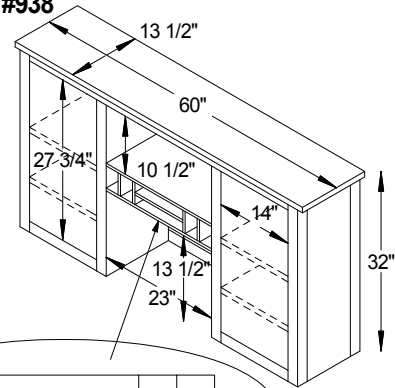
#936



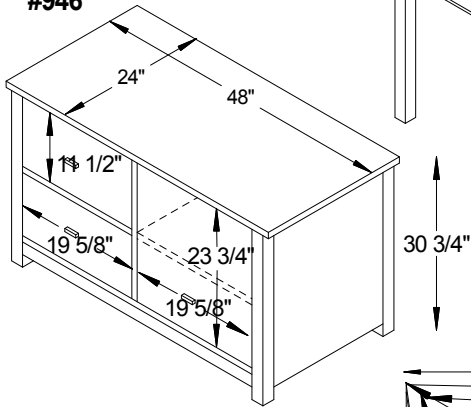
#945



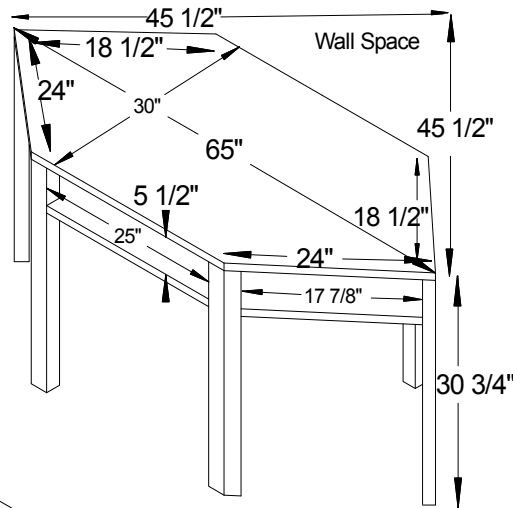
#938



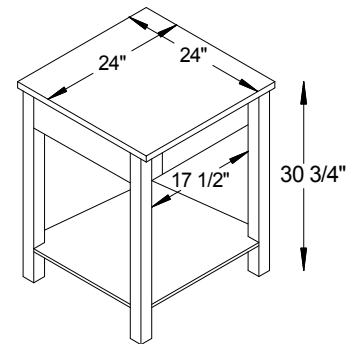
#946



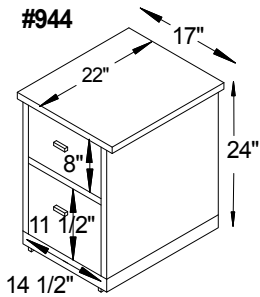
#941



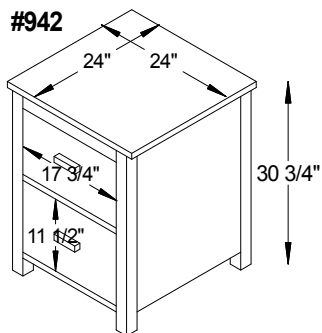
#940



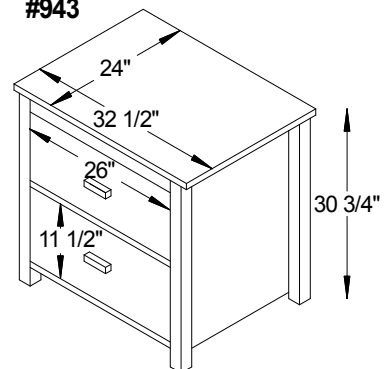
#944



#942



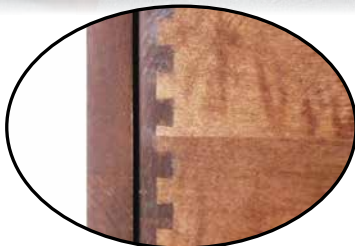
#943





Shown in Cherry OCS-106

# Arlington Office Suite



• English Dovetail Drawer Boxes



• Drawer Box Same Wood as Cabinet  
• Full Extension Drawer Glides



• Premium Soft Close Anti Rattle Hinges

Std. Hardware



Knob - P-2286-OBH



Pull - P-2280-OBH

**Desks/Hutches/Bookcases/File Cabinets — Customized to your taste.**

## Standard Features

Manufactured in America  
With American hardwoods  
Finished with American finishes  
By American workers  
Equals heirloom quality that can last for generations.

## Available in!

8 Wood species — Oak/Brown Maple/Rustic Cherry/  
Rustic Q.S.W.O./Rustic Hickory/Prime Cherry/Prime  
Q.S.W.O./Prime Hickory Solid Hardwoods

Many Finish Options stains and Paints ETC.

2-Coats High Quality Catalyzed Finish

Extra Protection for Most Household Chemicals and Water  
Multiple Hardware Options.

## Warranties

1 year on seasonal splits under normal conditions  
(35% to 50% Humidity)

1 year on finishing malfunction bubbling cracking etc.  
(Note! Will not cover if in direct sunlight or chewed on by pets)

10 year limited on any construction malfunctions

10 year limited on any hardware related malfunctions  
(Hinges drawer slides pulls knobs under normal use)

Comfortably relaxing... Comfortably productive...





Keyboard Pullout



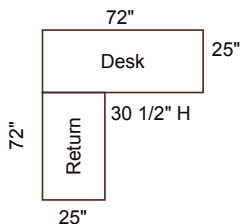
Optional Tower Door Opening 13¼"W x 23"H

### #17-850 L-Desk

72"W x 72"W x 25"D x 30½"H

#### Desk Features

- Desk includes keyboard two storage drawers and one file drawer
- Return includes pencil drawer, two storage drawers and file drawer
- Hole in desktop behind keyboard
- Surge Protector in kneehole behind keyboard



Surge Protector Behind Keyboard

Shown in Cherry OCS-106



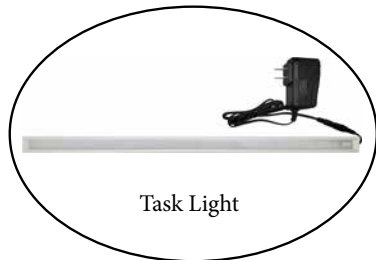
Rear View Finished panels for center room exposure

### #17-840 Hutch

72"W x 15"D x 40"H

#### Hutch Features

- Adjustable shelves
- Task Light
- Wood doors



Task Light



Comfortably relaxing... Comfortably productive...

# Arlington Executive Desk

Shown in Cherry OCS-106

## #17-860 Executive Desk

60"W x 30"D x 30½"H

### Also available:

## #17-861 Desk

72"W x 30"D x 30½"H

- Two file drawers, four storage drawers and one pencil drawer
- Two writing board pull-outs
- Inset front panel
- Clipped front corners on top
- 25"W x 24½"W Knee Hole



#17-860 Shown



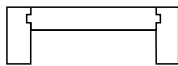
Finished Front View

# Arlington Bookcase

## # Shelves

- #17-820 36"W x 16¼"D x 36"H 1 Shelf
- #17-821 36"W x 16¼"D x 48"H 2 Shelves
- #17-822 36"W x 16¼"D x 60"H 3 Shelves
- #17-823 36"W x 16¼"D x 72"H 4 Shelves
- #17-824 36"W x 16¼"D x 84"H 5 Shelves
- #17-825 48"W x 16¼"D x 36"H 1 Shelf
- #17-826 48"W x 16¼"D x 48"H 2 Shelves
- #17-827 48"W x 16¼"D x 60"H 3 Shelves
- #17-828 48"W x 16¼"D x 72"H 4 Shelves
- #17-829 48"W x 16¼"D x 84"H 5 Shelves
- #17-830 60"W x 16¼"D x 36"H 1 Shelf
- #17-831 60"W x 16¼"D x 48"H 2 Shelves
- #17-832 60"W x 16¼"D x 60"H 3 Shelves
- #17-833 60"W x 16¼"D x 72"H 4 Shelves
- #17-834 60"W x 16¼"D x 84"H 5 Shelves
- #17-835 72"W x 16¼"D x 36"H 1 Shelf
- #17-836 72"W x 16¼"D x 48"H 2 Shelves
- #17-837 72"W x 16¼"D x 60"H 3 Shelves
- #17-838 72"W x 16¼"D x 72"H 4 Shelves
- #17-839 72"W x 16¼"D x 84"H 5 Shelves

*Tongue & Groove Shelving for Strength*



*Shown with Optional Doors Bottom only*

*Shown with Optional Doors Top and Bottom*



*60" and 72" Wide Shelves Have a Center Divider*

## Arlington File Cabinets

Shown in Brown Maple OCS-106



**#17-892** 2 Drw 23¾"W x 24"D x 30½"H

**#17-893** 3 Drw 23¾"W x 24"D x 42¾"H

**#17-894** 4 Drw 23¾"W x 24"D x 55"H

**#17-843 Hutch**

32"W x 15"D x 40"H



## Arlington Lateral File-Hutches



**#17-880 Lateral File Credenza**

4 Drw 60"W x 24"D x 30½"H

Four lateral file drawers



**#17-890 Lateral File**

2 Drw 32"W x 21"D x 30½"H

Two lateral file drawers

Comfortably relaxing... Comfortably productive...

## Arlington Writing Desks

Shown in Brown Maple OCS-106



**#17-870 Writing Desk**  
48"W x 24"D x 30½"H



**#17-871 Writing Desk**  
60"W x 24"D x 30½"H



**#17-873 Credenza Desk**  
48"W x 24"D x 30½"H



Option Drop Front Drawer  
No Upcharge



**#17-874 Credenza Desk**  
60"W x 24"D x 30½"H



**#17-876 Credenza Desk**  
48"W x 24"D x 30½"H



Option Drawer Lock



**#17-877 Credenza Desk**  
60"W x 24"D x 30½"H

## Arlington Hutch Tops



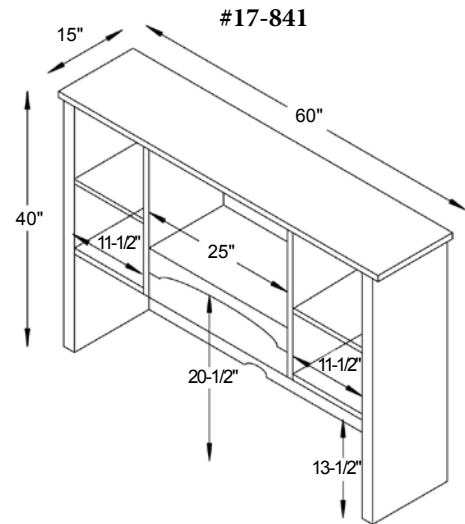
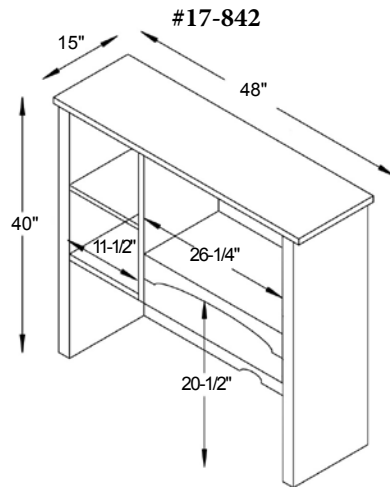
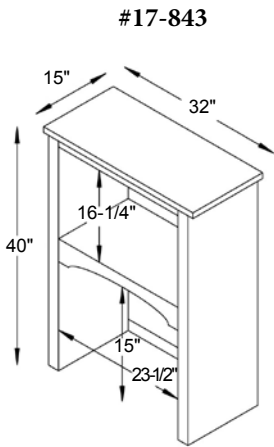
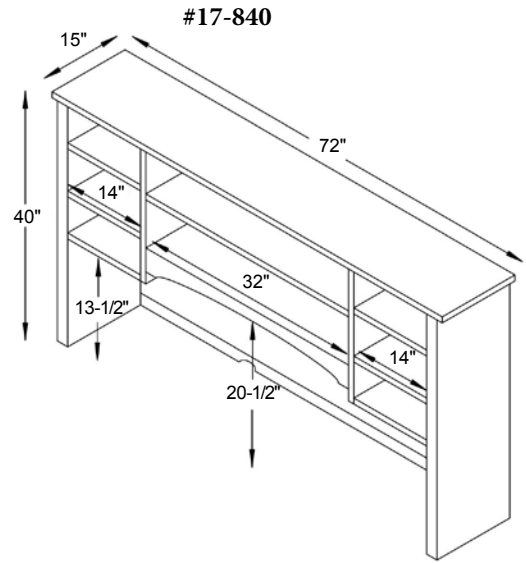
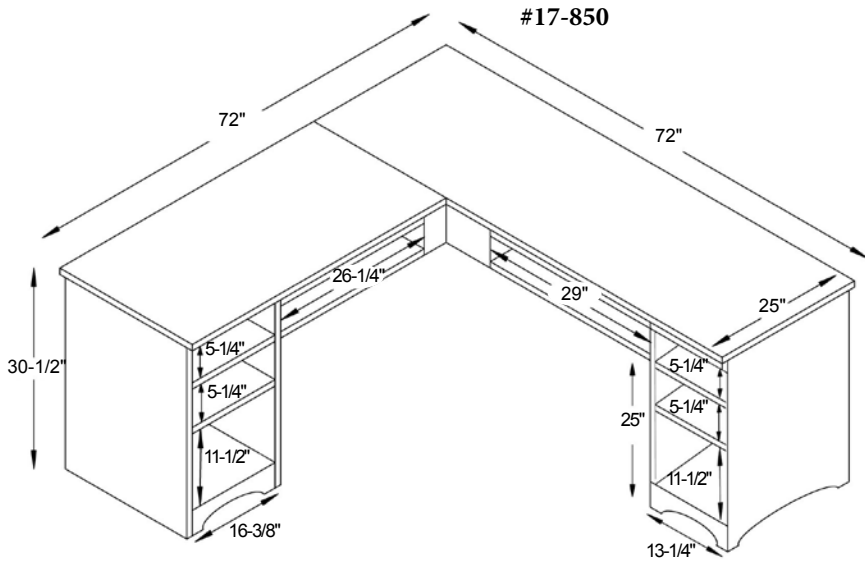
**#17-842 Hutch**  
48"W x 15"D x 40"H



**#17-841 Hutch**  
60"W x 15"D x 40"H

# Arlington Dimensions

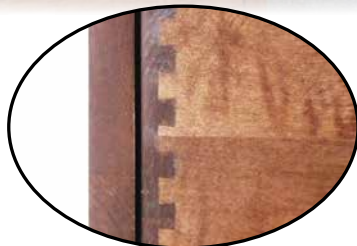
Note! Dimensions on Doors and Openings Represent Opening Size





Shown in R.Q.S.W.O. OCS-113

# Coventry Mission Office Suite



• English Dovetail Drawer Boxes



• Drawer Box Same Wood as Cabinet  
• Full Extension Drawer Glides



• Premium Soft Close Anti Rattle Hinges

Std. Hardware



Knob - 910-SBN



Pull - 910-96-SBN

**Desks/Hutches/Bookcases/File Cabinets — Customized to your taste.**

## Standard Features

Manufactured in America  
With American hardwoods  
Finished with American finishes  
By American workers  
Equals heirloom quality that can last for generations.

## Available in!

8 Wood species — Oak/Brown Maple/Rustic Cherry/  
Rustic Q.S.W.O./Rustic Hickory/Prime Cherry/Prime  
Q.S.W.O./Prime Hickory Solid Hardwoods

Many Finish Options stains and Paints ETC.  
2-Coats High Quality Catalyzed Finish  
Extra Protection for Most Household Chemicals and Water  
Multiple Hardware Options.

## Warranties

1 year on seasonal splits under normal conditions  
(35% to 50% Humidity)  
1 year on finishing malfunction bubbling cracking etc.  
(Note! Will not cover if in direct sunlight or chewed on by pets)  
10 year limited on any construction malfunctions  
10 year limited on any hardware related malfunctions  
(Hinges drawer slides pulls knobs under normal use)

Comfortably relaxing... Comfortably productive...



Keyboard Pullout

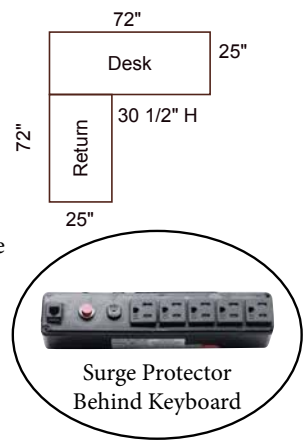


Optional Tower Door Opening 13 1/4"W x 23"H

**#16-950 L-Desk**  
72"W x 72"W x 25"D x 30 1/2"H

**Desk Features**

- Desk includes keyboard two storage drawers and one file drawer
- Return includes pencil drawer, two storage drawers and file drawer
- Hole in desktop behind keyboard
- Surge Protector in kneehole behind keyboard



*Shown in R.Q.S.W.O. OCS-113*

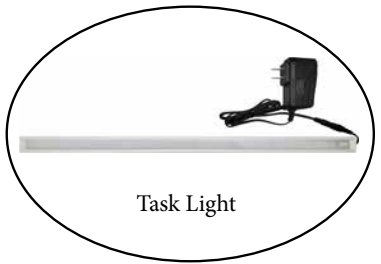


Rear View Finished panels for center room exposure

**#16-940 Hutch**  
72"W x 15"D x 40"H

**Hutch Features**

- Adjustable shelves
- Task Light
- Wood doors
- Shiplap back



Comfortably relaxing... Comfortably productive...

# Coventry Mission Executive Desk

Shown in R.Q.S.W.O. OCS-113

## #16-960 Executive Desk

60"W x 30"D x 30½"H

### Also available:

## #16-961 Desk

72"W x 30"D x 30½"H

- Two file drawers, four storage drawers and one pencil drawer
- Two writing board pull-outs
- Inset front panel
- Clipped front corners on top
- 25"W x 24½"W Knee Hole



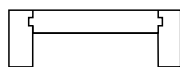
#16-960 Shown



Finished Front View

# Coventry Mission Bookcase

*Tongue & Groove Shelving for Strength*



*Shown with Optional Doors Bottom only*

*Shown with Optional Doors Top and Bottom*

## # Shelves

- #16-920 36"W x 16¼"D x 36"H 1 Shelf
- #16-921 36"W x 16¼"D x 48"H 2 Shelves
- #16-922 36"W x 16¼"D x 60"H 3 Shelves
- #16-923 36"W x 16¼"D x 72"H 4 Shelves
- #16-924 36"W x 16¼"D x 84"H 5 Shelves
- #16-925 48"W x 16¼"D x 36"H 1 Shelf
- #16-926 48"W x 16¼"D x 48"H 2 Shelves
- #16-927 48"W x 16¼"D x 60"H 3 Shelves
- #16-928 48"W x 16¼"D x 72"H 4 Shelves
- #16-929 48"W x 16¼"D x 84"H 5 Shelves
- #16-930 60"W x 16¼"D x 36"H 1 Shelf
- #16-931 60"W x 16¼"D x 48"H 2 Shelves
- #16-932 60"W x 16¼"D x 60"H 3 Shelves
- #16-933 60"W x 16¼"D x 72"H 4 Shelves
- #16-934 60"W x 16¼"D x 84"H 5 Shelves
- #16-935 72"W x 16¼"D x 36"H 1 Shelf
- #16-936 72"W x 16¼"D x 48"H 2 Shelves
- #16-937 72"W x 16¼"D x 60"H 3 Shelves
- #16-938 72"W x 16¼"D x 72"H 4 Shelves
- #16-939 72"W x 16¼"D x 84"H 5 Shelves



*60" and 72" Wide Shelves Have a Center Divider*



## Coventry Mission Cabinets

Shown in R.Q.S.W.O. OCS-113



**#16-992** 2 Drw 23"W x 24"D x 30½"H

**#16-993** 3 Drw 23"W x 24"D x 42¾"H

**#16-994** 4 Drw 23"W x 24"D x 55"H

**#16-943 Hutch**

32"W x 15"D x 40"H



## Coventry Mission Lateral File-Hutches



**#16-980 Lateral File Credenza**

4 Drw 60"W x 24"D x 30½"H

Four lateral file drawers



**#16-990 Lateral File**

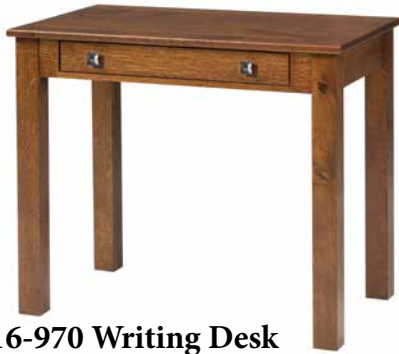
2 Drw 32"W x 21"D x 30½"H

Two lateral file drawers

Comfortably relaxing... Comfortably productive...

## Coventry Mission Writing Desks

*Shown in R.Q.S.W.O. OCS-113*



**#16-970 Writing Desk**  
48"W x 24"D x 30½"H



**#16-971 Writing Desk**  
60"W x 24"D x 30½"H



**#16-973 Credenza Desk**  
48"W x 24"D x 30½"H



Option Drop Front Drawer  
No Upcharge



**#16-974 Credenza Desk**  
60"W x 24"D x 30½"H



**#16-976 Credenza Desk**  
48"W x 24"D x 30½"H



Option Drawer Lock



**#16-977 Credenza Desk**  
60"W x 24"D x 30½"H

## Coventry Mission Hutch Tops

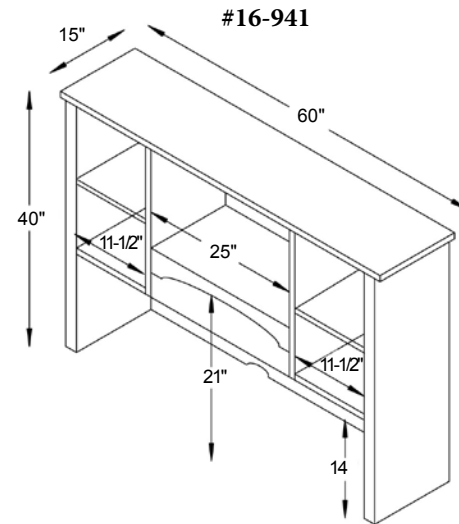
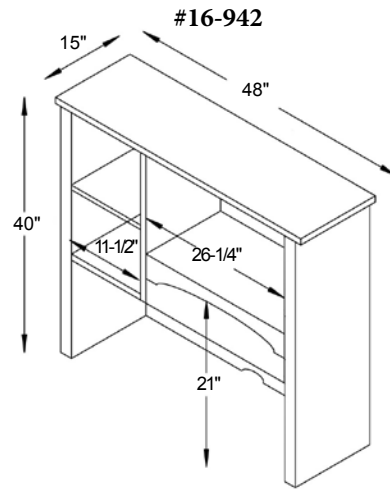
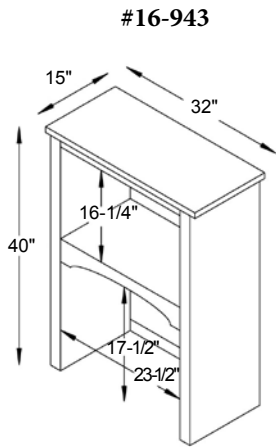
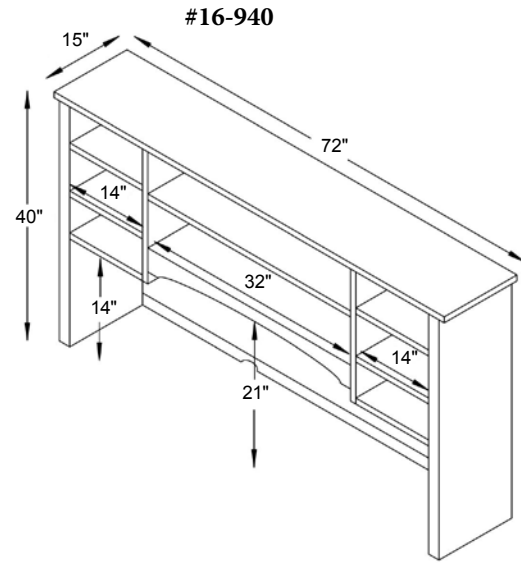
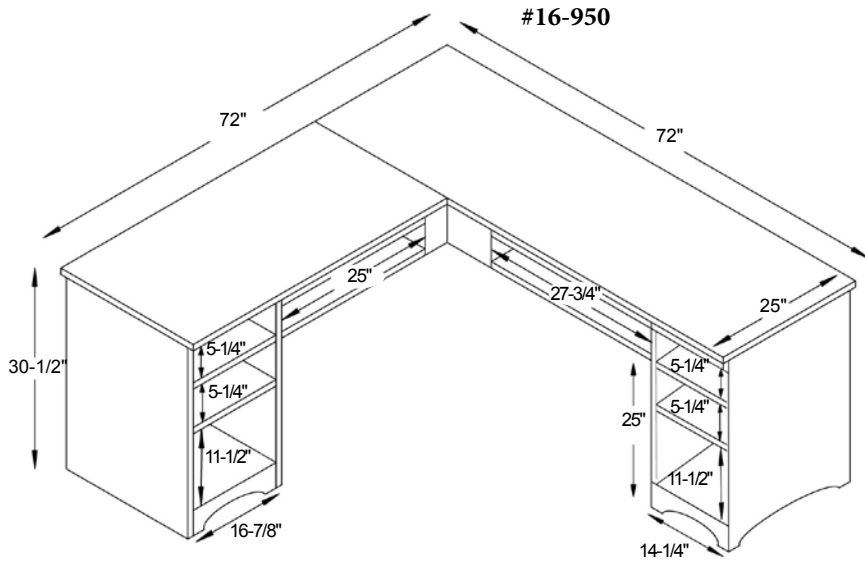


**#16-942 Hutch**  
48"W x 15"D x 40"H



**#16-941 Hutch**  
60"W x 15"D x 40"H

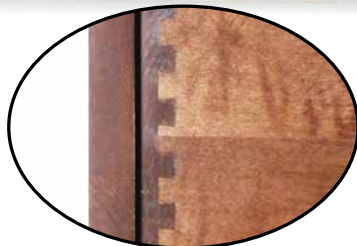
**Coventry Mission Dimensions** Note! Dimensions on Doors and Openings Represent Opening Size





Shown in Oak OCS-102

# Highland Office Suite



• English Dovetail Drawer Boxes



• Drawer Box Same Wood as Cabinet  
• Full Extension Drawer Glides



• Premium Soft Close Anti Rattle Hinges

Std. Hardware



Knob - K-107-AEM



Pull - K-516-AEM

**Desks/Hutches/Bookcases/File Cabinets — Customized to your taste.**

## Standard Features

Manufactured in America  
With American hardwoods  
Finished with American finishes  
By American workers  
Equals heirloom quality that can last for generations.

## Available in!

8 Wood species — Oak/Brown Maple/Rustic Cherry/  
Rustic Q.S.W.O./Rustic Hickory/Prime Cherry/Prime  
Q.S.W.O./Prime Hickory Solid Hardwoods

Many Finish Options stains and Paints ETC.  
2-Coats High Quality Catalyzed Finish  
Extra Protection for Most Household Chemicals and Water  
Multiple Hardware Options.

## Warranties

1 year on seasonal splits under normal conditions  
(35% to 50% Humidity)  
1 year on finishing malfunction bubbling cracking etc.  
(Note! Will not cover if in direct sunlight or chewed on by pets)  
10 year limited on any construction malfunctions  
10 year limited on any hardware related malfunctions  
(Hinges drawer slides pulls knobs under normal use)

Comfortably relaxing... Comfortably productive...



Keyboard Pullout

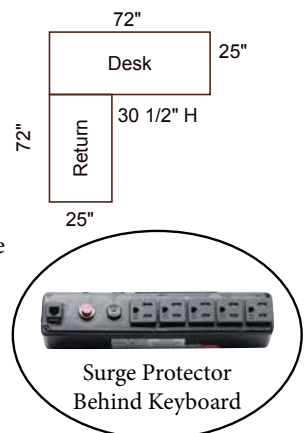


Optional Tower Door Opening 15"W x 23 3/4"H

**#17-750 L-Desk**  
72"W x 72"W x 25"D x 30 1/2"H

**Desk Features**

- Desk includes keyboard two storage drawers and one file drawer
- Return includes pencil drawer, two storage drawers and file drawer
- Hole in desktop behind keyboard
- Surge Protector in kneehole behind keyboard



Surge Protector Behind Keyboard

*Shown in Oak OCS-102*

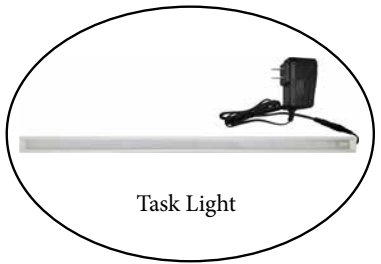


Rear View Finished panels for center room exposure

**#17-740 Hutch**  
72"W x 15"D x 40"H

**Hutch Features**

- Adjustable shelves
- Task Light
- Wood doors



Task Light



Comfortably relaxing... Comfortably productive...

# Highland Executive Desk

Shown in Oak OCS-102

## #17-760 Executive Desk

60"W x 30"D x 30½"H

### Also available:

## #17-761 Desk

72"W x 30"D x 30½"H

- Two file drawers, four storage drawers and one pencil drawer
- Two writing board pull-outs
- Inset front panel
- Clipped front corners on top
- 25"W x 24½"W Knee Hole



#17-760 Shown



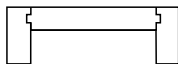
Finished Front View

# Highland Bookcase

## # Shelves

- #17-720 36"W x 16¼"D x 36"H 1 Shelf
- #17-721 36"W x 16¼"D x 48"H 2 Shelves
- #17-722 36"W x 16¼"D x 60"H 3 Shelves
- #17-723 36"W x 16¼"D x 72"H 4 Shelves
- #17-724 36"W x 16¼"D x 84"H 5 Shelves
- #17-725 48"W x 16¼"D x 36"H 1 Shelf
- #17-726 48"W x 16¼"D x 48"H 2 Shelves
- #17-727 48"W x 16¼"D x 60"H 3 Shelves
- #17-728 48"W x 16¼"D x 72"H 4 Shelves
- #17-729 48"W x 16¼"D x 84"H 5 Shelves
- #17-730 60"W x 16¼"D x 36"H 1 Shelf
- #17-731 60"W x 16¼"D x 48"H 2 Shelves
- #17-732 60"W x 16¼"D x 60"H 3 Shelves
- #17-733 60"W x 16¼"D x 72"H 4 Shelves
- #17-734 60"W x 16¼"D x 84"H 5 Shelves
- #17-735 72"W x 16¼"D x 36"H 1 Shelf
- #17-736 72"W x 16¼"D x 48"H 2 Shelves
- #17-737 72"W x 16¼"D x 60"H 3 Shelves
- #17-738 72"W x 16¼"D x 72"H 4 Shelves
- #17-739 72"W x 16¼"D x 84"H 5 Shelves

*Tongue & Groove Shelving for Strength*



*Shown with Optional Doors Bottom only*

*Shown with Optional Doors Top and Bottom*



*60" and 72" Wide Shelves Have a Center Divider*

## Highland File Cabinets

Shown in Oak OCS-102



**#17-792** 2 Drw 20 $\frac{3}{4}$ "W x 24"D x 30 $\frac{1}{2}$ "H

**#17-793** 3 Drw 20 $\frac{3}{4}$ "W x 24"D x 42 $\frac{3}{4}$ "H

**#17-794** 4 Drw 20 $\frac{3}{4}$ "W x 24"D x 55"H

### #17-743 Hutch

32"W x 15"D x 40"H



## Highland Lateral File-Hutches



### #17-780 Lateral File Credenza

4 Drw 60"W x 24"D x 30 $\frac{3}{4}$ "H

Four lateral file drawers

### #17-790 Lateral File

2 Drw 32"W x 21"D x 30 $\frac{1}{2}$ "H

Two lateral file drawers

Comfortably relaxing... Comfortably productive...

## Highland Desks

Shown in Oak OCS-102



**#17-770 Writing Desk**  
48"W x 24"D x 30½"H



**#17-771 Writing Desk**  
60"W x 24"D x 30½"H



**#17-773 Credenza Desk**  
48"W x 24"D x 30½"H



Option Drop Front Drawer  
No Upcharge



**#17-774 Credenza Desk**  
60"W x 24"D x 30½"H



**#17-776 Credenza Desk**  
48"W x 24"D x 30½"H



Option Drawer Lock



**#17-777 Credenza Desk**  
60"W x 24"D x 30½"H

## Highland Hutch Tops



**#17-742 Hutch**  
48"W x 15"D x 40"H

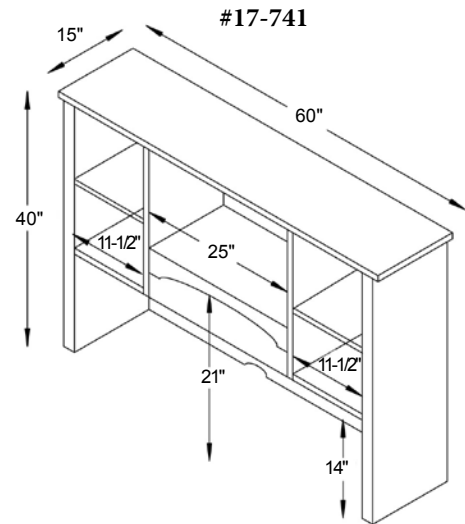
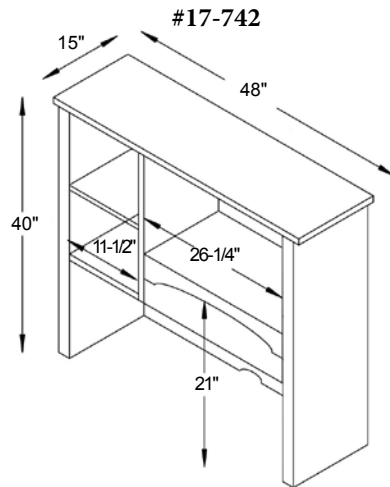
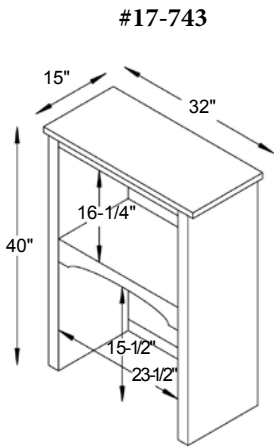
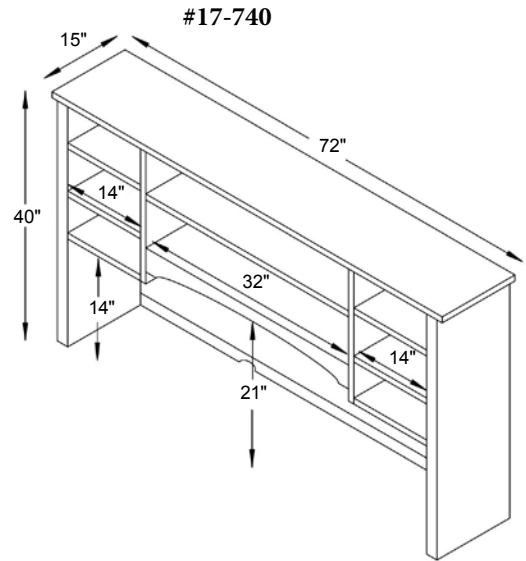
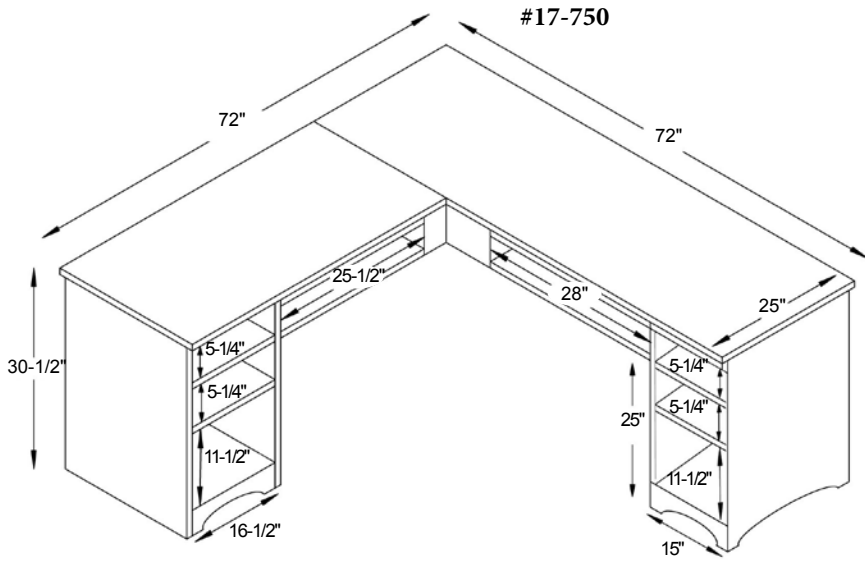


**#17-741 Hutch**  
60"W x 15"D x 40"H



# Highland Dimensions

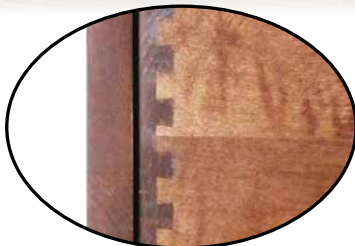
Note! Dimensions on Doors and Openings Represent Opening Size





Shown in Brown Maple OCS-118

# La-Salle Urban Office Suite



• English Dovetail Drawer Boxes



• Drawer Box Same Wood as Cabinet  
• Full Extension Drawer Glides



• Premium Soft Close Anti Rattle Hinges



Std. Hardware

Pull - K-242-SN

**Desks/Hutches/Bookcases/File Cabinets — Customized to your taste.**

## Standard Features

Manufactured in America  
With American hardwoods  
Finished with American finishes  
By American workers  
Equals heirloom quality that can last for generations.

## Available in!

8 Wood species — Oak/Brown Maple/Rustic Cherry/  
Rustic Q.S.W.O./Rustic Hickory/Prime Cherry/Prime  
Q.S.W.O./Prime Hickory Solid Hardwoods

Many Finish Options stains and Paints ETC.  
2-Coats High Quality Catalyzed Finish  
Extra Protection for Most Household Chemicals and Water  
Multiple Hardware Options.

## Warranties

1 year on seasonal splits under normal conditions  
(35% to 50% Humidity)  
1 year on finishing malfunction bubbling cracking etc.  
(Note! Will not cover if in direct sunlight or chewed on by pets)  
10 year limited on any construction malfunctions  
10 year limited on any hardware related malfunctions  
(Hinges drawer slides pulls knobs under normal use)

Comfortably relaxing... Comfortably productive...



Keyboard Pullout



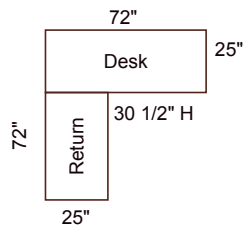
Optional Tower Door Opening 13 1/4" W x 23" H

**#18-550 L-Desk**

72"W x 72"W x 25"D x 30 1/2"H

**Desk Features**

- Desk includes keyboard two storage drawers and one file drawer
- Return includes pencil drawer, two storage drawers and file drawer
- Hole in desktop behind keyboard
- Surge Protector in kneehole behind keyboard



*Shown in Brown Maple OCS-118*



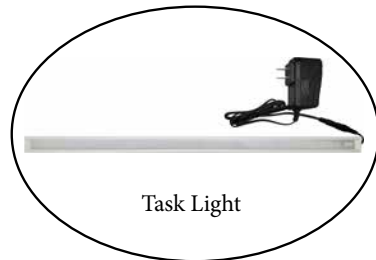
Rear View Finished panels for center room exposure

**#18-540 Hutch**

72"W x 14 1/2"D x 40"H

**Hutch Features**

- Adjustable shelves
- Task Light
- Wood doors



Comfortably relaxing... Comfortably productive...

# La-Salle Urban Executive Desk

Shown in Brown Maple OCS-118

## #18-560 Executive Desk

60"W x 30"D x 30½"H

### Also available:

## #18-561 Desk

72"W x 30"D x 30½"H

- Two file drawers, four storage drawers and one pencil drawer
- Two writing board pull-outs
- Inset front panel
- Clipped front corners on top
- 26½"W x 24½"W Knee Hole



#18-560 Shown



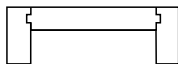
Finished Front View

# La-Salle Urban Bookcase

## # Shelves

- #18-520 36"W x 14¼"D x 36"H 1 Shelf
- #18-521 36"W x 14¼"D x 48"H 2 Shelves
- #18-522 36"W x 14¼"D x 60"H 3 Shelves
- #18-523 36"W x 14¼"D x 72"H 4 Shelves
- #18-524 36"W x 14¼"D x 84"H 5 Shelves
- #18-525 48"W x 14¼"D x 36"H 1 Shelf
- #18-526 48"W x 14¼"D x 48"H 2 Shelves
- #18-527 48"W x 14¼"D x 60"H 3 Shelves
- #18-528 48"W x 14¼"D x 72"H 4 Shelves
- #18-529 48"W x 14¼"D x 84"H 5 Shelves
- #18-530 60"W x 14¼"D x 36"H 1 Shelf
- #18-531 60"W x 14¼"D x 48"H 2 Shelves
- #18-532 60"W x 14¼"D x 60"H 3 Shelves
- #18-533 60"W x 14¼"D x 72"H 4 Shelves
- #18-534 60"W x 14¼"D x 84"H 5 Shelves
- #18-535 72"W x 14¼"D x 36"H 1 Shelf
- #18-536 72"W x 14¼"D x 48"H 2 Shelves
- #18-537 72"W x 14¼"D x 60"H 3 Shelves
- #18-538 72"W x 14¼"D x 72"H 4 Shelves
- #18-539 72"W x 14¼"D x 84"H 5 Shelves

Tongue & Groove Shelving for Strength



Shown with Optional Doors Bottom Only

Shown with Optional Doors Top and Bottom



60" and 72" Wide Shelves Have a Center Divider

## La-Salle Urban File Cabinets

*Shown in Brown Maple OCS-118*



**#18-592** 2 Drw 19 $\frac{1}{2}$ "W x 24"D x 30 $\frac{1}{2}$ "H

**#18-593** 3 Drw 19 $\frac{1}{2}$ "W x 24"D x 42 $\frac{3}{4}$ "H

**#18-594** 4 Drw 19 $\frac{1}{2}$ "W x 24"D x 55"H

### **#18-543 Hutch**

32"W x 14 $\frac{1}{2}$ "D x 40"H



## La-Salle Urban Lateral File-Hutches



### **#18-580 Lateral File Credenza**

4 Drw 60"W x 24"D x 30 $\frac{1}{2}$ "H

Four lateral file drawers



### **#18-590 Lateral File**

2 Drw 32"W x 21"D x 30 $\frac{1}{2}$ "H

Two lateral file drawers

Comfortably relaxing... Comfortably productive...

## La-Salle Urban Writing Desks

*Shown in Brown Maple OCS-118*



**#18-570 Writing Desk**  
48"W x 24"D x 30½"H



**#18-571 Writing Desk**  
60"W x 24"D x 30½"H



**#18-573 Credenza Desk**  
48"W x 24"D x 30½"H



Option Drop Front Drawer  
No Upcharge



**#18-574 Credenza Desk**  
60"W x 24"D x 30½"H



**#18-576 Credenza Desk**  
48"W x 24"D x 30½"H



Option Drawer Lock



**#18-577 Credenza Desk**  
60"W x 24"D x 30½"H

## La-Salle Urban Hutch Tops



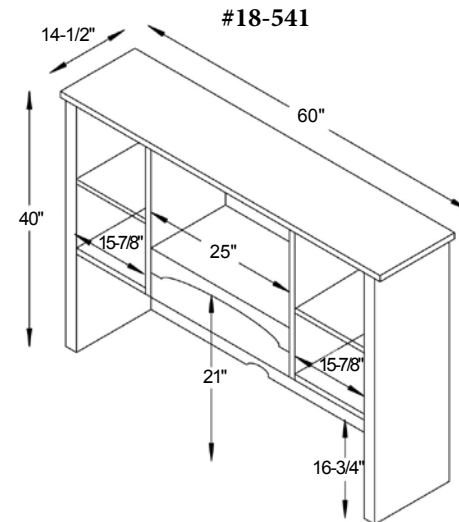
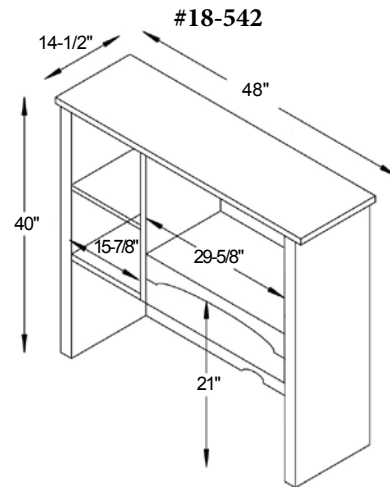
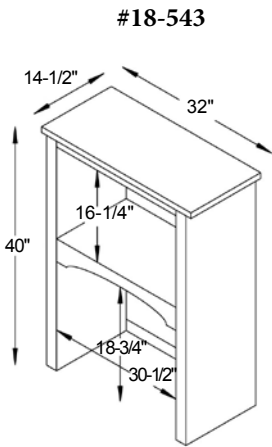
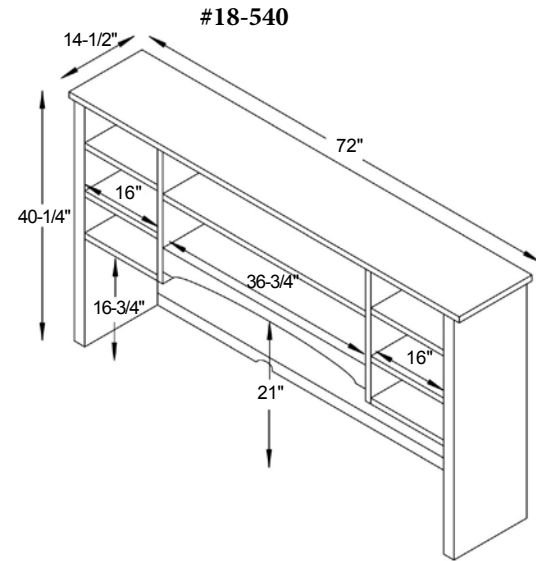
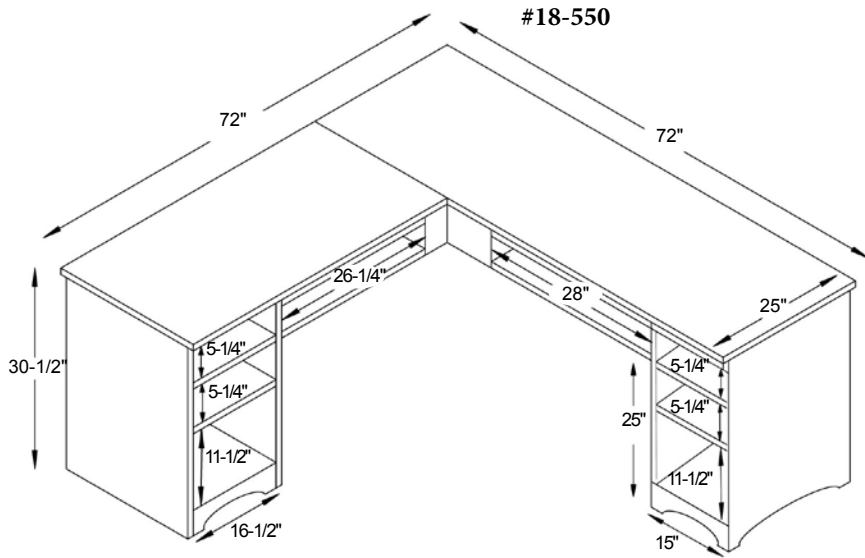
**#18-542 Hutch**  
48"W x 14½"D x 40"H



**#18-541 Hutch**  
60"W x 14½"D x 40"H

# La-Salle Urban Dimensions

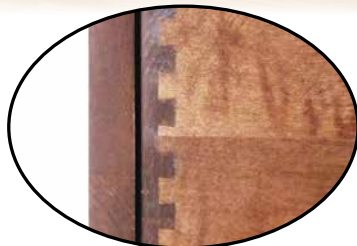
Note! Dimensions on Doors and Openings Represent Opening Size





Shown in Brown Maple OCS-226

# Prairie Mission Office Suite



• English Dovetail Drawer Boxes



• Drawer Box Same Wood as Cabinet  
• Full Extension Drawer Glides



• Premium Soft Close Anti Rattle Hinges

Std. Hardware



Knob - 55271-BBR



Pull - 55275-BBR

**Desks/Hutches/Bookcases/File Cabinets — Customized to your taste.**

## Standard Features

Manufactured in America  
With American hardwoods  
Finished with American finishes  
By American workers  
Equals heirloom quality that can last for generations.

## Available in!

8 Wood species — Oak/Brown Maple/Rustic Cherry/  
Rustic Q.S.W.O./Rustic Hickory/Prime Cherry/Prime  
Q.S.W.O./Prime Hickory Solid Hardwoods

Many Finish Options stains and Paints ETC.  
2-Coats High Quality Catalyzed Finish  
Extra Protection for Most Household Chemicals and Water  
Multiple Hardware Options.

## Warranties

1 year on seasonal splits under normal conditions  
(35% to 50% Humidity)  
1 year on finishing malfunction bubbling cracking etc.  
(Note! Will not cover if in direct sunlight or chewed on by pets)  
10 year limited on any construction malfunctions  
10 year limited on any hardware related malfunctions  
(Hinges drawer slides pulls knobs under normal use)

Comfortably relaxing... Comfortably productive...





Keyboard Pullout



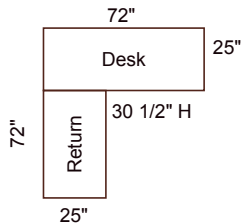
Optional Tower Door Opening 15"W x 23 3/4"H

**#16-650 L-Desk**

72"W x 72"W x 25"D x 30 1/2"H

**Desk Features**

- Desk includes keyboard two storage drawers and one file drawer
- Return includes pencil drawer, two storage drawers and file drawer
- Hole in desktop behind keyboard
- Surge Protector in kneehole behind keyboard



*Shown in Brown Maple OCS-226*



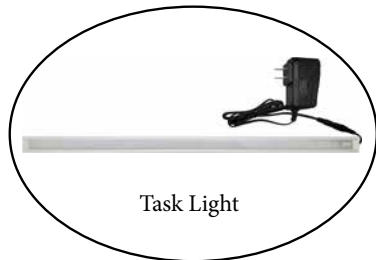
Rear View Finished panels for center room exposure

**#16-640 Hutch**

72"W x 13 1/2"D x 40"H

**Hutch Features**

- Adjustable shelves
- Task Light
- Wood doors



Comfortably relaxing... Comfortably productive...

# Prairie Mission Executive Desk

Shown in Brown Maple OCS-226

## #16-660 Executive Desk

60"W x 30"D x 30½"H

### Also available:

## #16-661 Desk

72"W x 30"D x 30½"H

- Two file drawers, four storage drawers and one pencil drawer
- Two writing board pull-outs
- Inset front panel
- Clipped front corners on top
- 25"W x 24½"W Knee Hole



#16-660 Shown



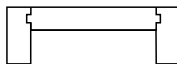
Finished Front View

# Prairie Mission Bookcase

## # Shelves

- #16-620 36"W x 14¾"D x 36"H 1 Shelf
- #16-621 36"W x 14¾"D x 48"H 2 Shelves
- #16-622 36"W x 14¾"D x 60"H 3 Shelves
- #16-623 36"W x 14¾"D x 72"H 4 Shelves
- #16-624 36"W x 14¾"D x 84"H 5 Shelves
- #16-625 48"W x 14¾"D x 36"H 1 Shelf
- #16-626 48"W x 14¾"D x 48"H 2 Shelves
- #16-627 48"W x 14¾"D x 60"H 3 Shelves
- #16-628 48"W x 14¾"D x 72"H 4 Shelves
- #16-629 48"W x 14¾"D x 84"H 5 Shelves
- #16-630 60"W x 14¾"D x 36"H 1 Shelf
- #16-631 60"W x 14¾"D x 48"H 2 Shelves
- #16-632 60"W x 14¾"D x 60"H 3 Shelves
- #16-633 60"W x 14¾"D x 72"H 4 Shelves
- #16-634 60"W x 14¾"D x 84"H 5 Shelves
- #16-635 72"W x 14¾"D x 36"H 1 Shelf
- #16-636 72"W x 14¾"D x 48"H 2 Shelves
- #16-637 72"W x 14¾"D x 60"H 3 Shelves
- #16-638 72"W x 14¾"D x 72"H 4 Shelves
- #16-639 72"W x 14¾"D x 84"H 5 Shelves

Tongue & Groove Shelving for Strength



Shown with Optional Doors Bottom Only

Shown with Optional Doors Top and Bottom



60" and 72" Wide Shelves Have a Center Divider

## Prairie Mission File Cabinets

Shown in R.Q.S.W.O. OCS-113



**#16-692** 2 Drw 20¾"W x 24"D x 30½"H

**#16-693** 3 Drw 20¾"W x 24"D x 42¾"H

**#16-694** 4 Drw 20¾"W x 24"D x 55"H

### #16-643 Hutch

32"W x 13½"D x 40"H

Shown in Brown Maple OCS-226



## Prairie Mission Lateral File-Hutches

Shown in Oak OCS-113



### #16-680 Lateral File Credenza

4 Drw 60"W x 24"D x 30½"H

Four lateral file drawers

### #16-690 Lateral File

2 Drw 32"W x 21"D x 30½"H

Two lateral file drawers

Comfortably relaxing... Comfortably productive...

## Prairie Mission Writing Desks

*Shown in Rustic Q.S.W.O. OCS-113*



**#16-670 Writing Desk**  
48"W x 24"D x 30½"H



**#16-671 Writing Desk**  
60"W x 24"D x 30½"H



**#16-673 Credenza Desk**  
48"W x 24"D x 30½"H



Option Drop Front Drawer  
No Upcharge



**#16-674 Credenza Desk**  
60"W x 24"D x 30½"H



**#16-676 Credenza Desk**  
48"W x 24"D x 30½"H



Option Drawer Lock



**#16-677 Credenza Desk**  
60"W x 24"D x 30½"H

## Prairie Mission Hutch Tops



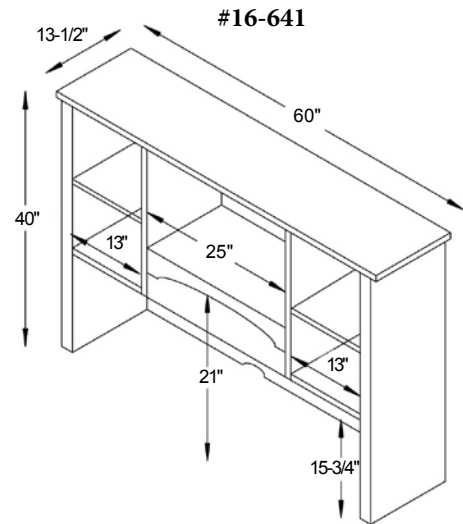
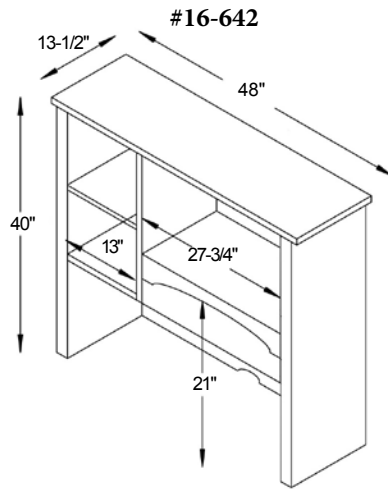
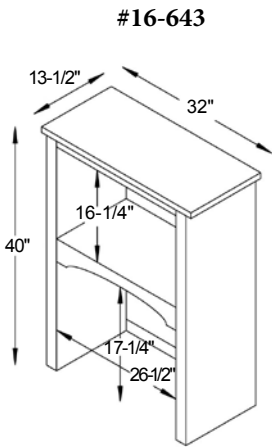
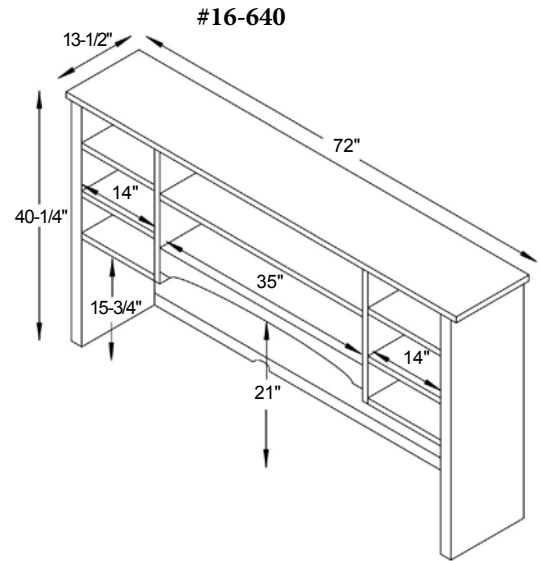
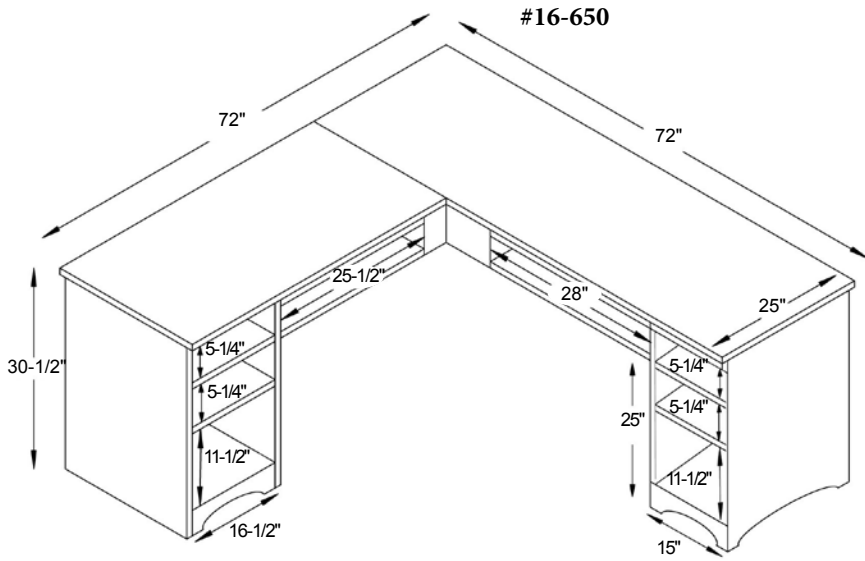
**#16-642 Hutch**  
48"W x 13½"D x 40"H



**#16-641 Hutch**  
60"W x 13½"D x 40"H

# Prairie Mission Dimensions

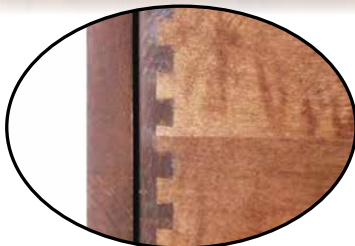
Note! Dimensions on Doors and Openings Represent Opening Size





Shown in Brown Maple OCS-113

# Rivertowne office Suite



• English Dovetail Drawer Boxes



• Drawer Box Same Wood as Cabinet  
• Full Extension Drawer Glides



• Premium Soft Close Anti Rattle Hinges

Std. Hardware



Knob - D-523-BL

Pull - D-521-BL

**Desks/Hutches/Bookcases/File Cabinets — Customized to your taste.**

## Standard Features

Manufactured in America  
With American hardwoods  
Finished with American finishes  
By American workers  
Equals heirloom quality that can last for generations.

## Available in!

8 Wood species — Oak/Brown Maple/Rustic Cherry/  
Rustic Q.S.W.O./Rustic Hickory/Prime Cherry/Prime  
Q.S.W.O./Prime Hickory Solid Hardwoods

Many Finish Options stains and Paints ETC.  
2-Coats High Quality Catalyzed Finish  
Extra Protection for Most Household Chemicals and Water  
Multiple Hardware Options.

## Warranties

1 year on seasonal splits under normal conditions  
(35% to 50% Humidity)  
1 year on finishing malfunction bubbling cracking etc.  
(Note! Will not cover if in direct sunlight or chewed on by pets)  
10 year limited on any construction malfunctions  
10 year limited on any hardware related malfunctions  
(Hinges drawer slides pulls knobs under normal use)

Comfortably relaxing... Comfortably productive...



Keyboard Pullout



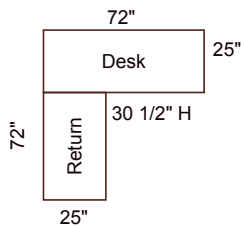
Optional Tower Door Opening 13 1/4" W x 23" H

**#16-250 L-Desk**

72"W x 72"W x 25"D x 30 1/2"H

**Desk Features**

- Desk includes keyboard two storage drawers and one file drawer
- Return includes pencil drawer, two storage drawers and file drawer
- Hole in desktop behind keyboard
- Surge Protector in kneehole behind keyboard



*Shown in Brown Maple OCS-113*



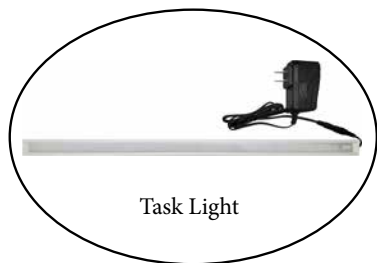
Rear View Finished panels for center room exposure

**#16-240 Hutch**

72"W x 11 1/4"D x 40"H

**Hutch Features**

- Adjustable shelves
- Task Light
- Wood doors



Comfortably relaxing... Comfortably productive...

# Rivertowne Executive Desk

Shown in R.Q.S.W.O. OCS-113

## #16-260 Executive Desk

60"W x 30"D x 30½"H

### Also available:

## #16-261 Desk

72"W x 30"D x 30½"H

- Two file drawers, four storage drawers and one pencil drawer
- Two writing board pull-outs
- Inset front panel
- Clipped front corners on top
- 25"W x 24½"W Knee Hole



#16-260 Shown



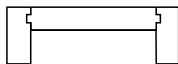
Finished Front View

# Rivertowne Bookcase

## # Shelves

- #16-220 36"W x 13¼"D x 36"H 1 Shelf
- #16-221 36"W x 13¼"D x 48"H 2 Shelves
- #16-222 36"W x 13¼"D x 60"H 3 Shelves
- #16-223 36"W x 13¼"D x 72"H 4 Shelves
- #16-224 36"W x 13¼"D x 84"H 5 Shelves
- #16-225 48"W x 13¼"D x 36"H 1 Shelf
- #16-226 48"W x 13¼"D x 48"H 2 Shelves
- #16-227 48"W x 13¼"D x 60"H 3 Shelves
- #16-228 48"W x 13¼"D x 72"H 4 Shelves
- #16-229 48"W x 13¼"D x 84"H 5 Shelves
- #16-230 60"W x 13¼"D x 36"H 1 Shelf
- #16-231 60"W x 13¼"D x 48"H 2 Shelves
- #16-232 60"W x 13¼"D x 60"H 3 Shelves
- #16-233 60"W x 13¼"D x 72"H 4 Shelves
- #16-234 60"W x 13¼"D x 84"H 5 Shelves
- #16-235 72"W x 13¼"D x 36"H 1 Shelf
- #16-236 72"W x 13¼"D x 48"H 2 Shelves
- #16-237 72"W x 13¼"D x 60"H 3 Shelves
- #16-238 72"W x 13¼"D x 72"H 4 Shelves
- #16-239 72"W x 13¼"D x 84"H 5 Shelves

*Tongue & Groove Shelving for Strength*



*Shown with Optional Doors Bottom Only*



*Shown with Optional Doors Top and Bottom*



*60" and 72" Wide Shelves Have a Center Divider*



## Rivertowne File Cabinets

Shown in R.Q.S.W.O. OCS-113



**#16-292** 2 Drw 23"W x 24"D x 30½"H

**#16-293** 3 Drw 23"W x 24"D x 42¾"H

**#16-294** 4 Drw 23"W x 24"D x 55"H

### #16-243 Hutch

32"W x 11¼"D x 40"H



## Rivertowne Lateral File-Hutches



### #16-280 Lateral File Credenza

4 Drw 60"W x 24"D x 30½"H

Four lateral file drawers



### #16-290 Lateral File

2 Drw 32"W x 21"D x 30½"H

Two lateral file drawers

Comfortably relaxing... Comfortably productive...

# Rivertowne Writing Desks

*Shown in Rustic Q.S.W.O. OCS-113*



**#16-270 Writing Desk**  
48"W x 24"D x 30½"H



**#16-271 Writing Desk**  
60"W x 24"D x 30½"H



**#16-273 Credenza Desk**  
48"W x 24"D x 30½"H



Option Drop Front Drawer  
No Upcharge



**#16-274 Credenza Desk**  
60"W x 24"D x 30½"H



**#16-276 Credenza Desk**  
48"W x 24"D x 30½"H



Option Drawer Lock



**#16-277 Credenza Desk**  
60"W x 24"D x 30½"H

# Rivertowne Hutch Tops



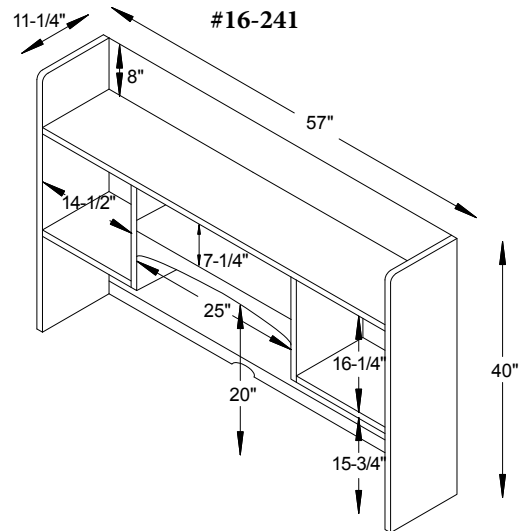
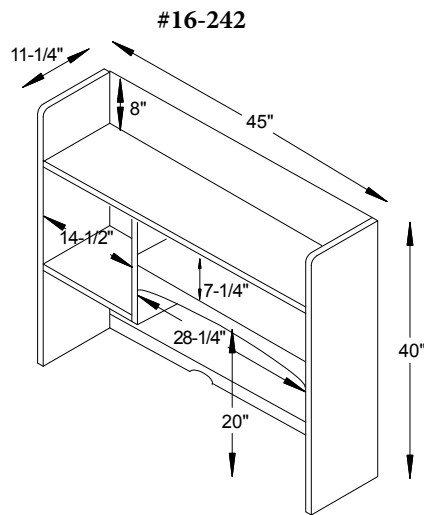
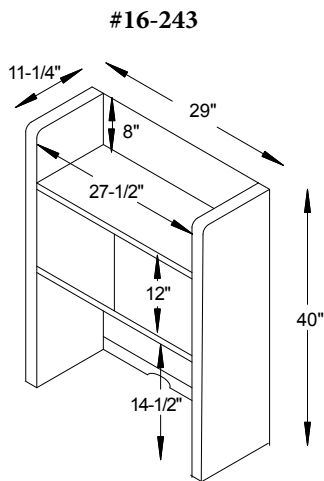
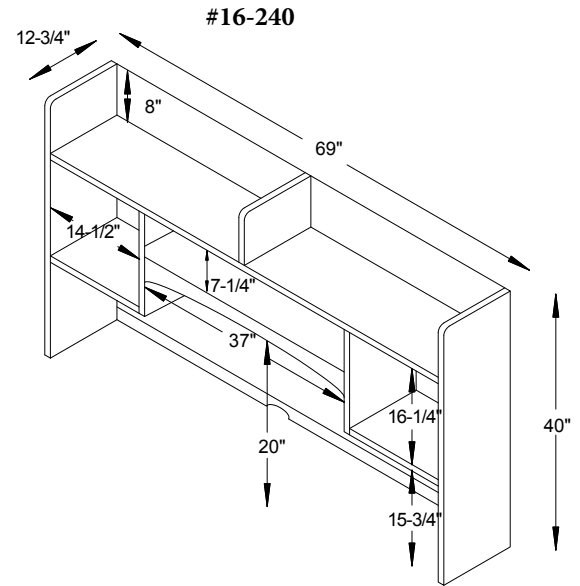
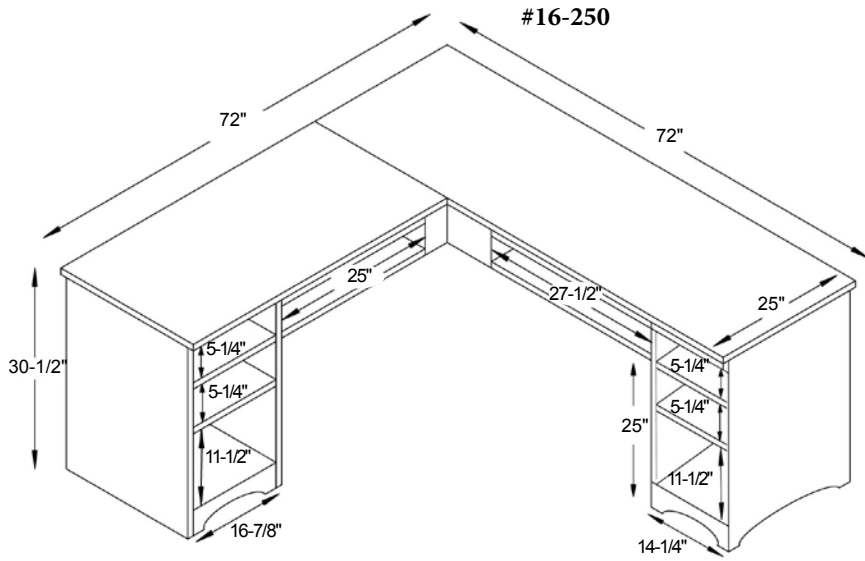
**#16-242 Hutch**  
48"W x 11¼"D x 40"H



**#16-241 Hutch**  
60"W x 11¼"D x 40"H

# Rivertowne Dimensions

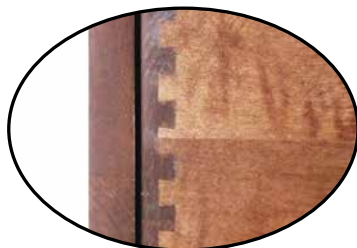
Note! Dimensions on Doors and Openings Represent Opening Size





Shown in Brown Maple OCS-117

# Woodbury Office Suite



• English Dovetail Drawer Boxes



• Drawer Box Same Wood as Cabinet  
• Full Extension Drawer Glides



• Premium Soft Close Anti Rattle Hinges

Std. Hardware



Knob - D-523-BL

Pull - D-521-BL

**Desks/Hutches/Bookcases/File Cabinets** — *Customized to your taste.*

## Standard Features

Manufactured in America  
With American hardwoods  
Finished with American finishes  
By American workers  
Equals heirloom quality that can last for generations.

## Available in!

8 Wood species — Oak/Brown Maple/Rustic Cherry/  
Rustic Q.S.W.O./Rustic Hickory/Prime Cherry/Prime  
Q.S.W.O./Prime Hickory Solid Hardwoods

Many Finish Options stains and Paints ETC.  
2-Coats High Quality Catalyzed Finish  
Extra Protection for Most Household Chemicals and Water  
Multiple Hardware Options.

## Warranties

1 year on seasonal splits under normal conditions  
(35% to 50% Humidity)  
1 year on finishing malfunction bubbling cracking etc.  
(Note! Will not cover if in direct sunlight or chewed on by pets)  
10 year limited on any construction malfunctions  
10 year limited on any hardware related malfunctions  
(Hinges drawer slides pulls knobs under normal use)

Comfortably relaxing... Comfortably productive...



Keyboard Pullout

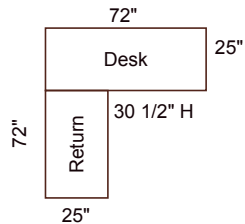
Optional Tower Door Opening 13 1/4" W x 23" H

**#17-550 L-Desk**

72"W x 72"W x 25"D x 30 1/2"H

**Desk Features**

- Desk includes keyboard two storage drawers and one file drawer
- Return includes pencil drawer, two storage drawers and file drawer
- Hole in desktop behind keyboard
- Surge Protector in kneehole behind keyboard



*Shown in Brown Maple OCS-117*



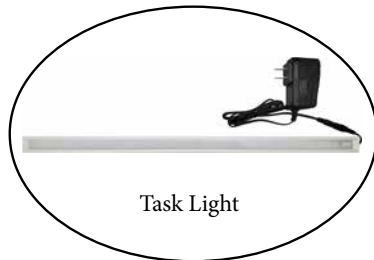
Rear View Finished panels for center room exposure

**#17-540 Hutch**

72"W x 14 1/2"D x 42 1/2"H

**Hutch Features**

- Adjustable shelves
- Task Light
- Wood doors



Comfortably relaxing... Comfortably productive...

# Woodbury Executive Desk

Shown in Brown Maple OCS-117

## #17-560 Executive Desk

60"W x 30"D x 30½"H

### Also available:

## #17-561 Desk

72"W x 30"D x 30½"H

- Two file drawers, four storage drawers and one pencil drawer
- Two writing board pull-outs
- Inset front panel
- Clipped front corners on top
- 25"W x 24½"W Knee Hole

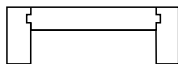


# Woodbury Bookcase

## # Shelves

- #17-520 36"W x 14¼"D x 36"H 1 Shelf
- #17-521 36"W x 14¼"D x 48"H 2 Shelves
- #17-522 36"W x 14¼"D x 60"H 3 Shelves
- #17-523 36"W x 14¼"D x 72"H 4 Shelves
- #17-524 36"W x 14¼"D x 84"H 5 Shelves
- #17-525 48"W x 14¼"D x 36"H 1 Shelf
- #17-526 48"W x 14¼"D x 48"H 2 Shelves
- #17-527 48"W x 14¼"D x 60"H 3 Shelves
- #17-528 48"W x 14¼"D x 72"H 4 Shelves
- #17-529 48"W x 14¼"D x 84"H 5 Shelves
- #17-530 60"W x 14¼"D x 36"H 1 Shelf
- #17-531 60"W x 14¼"D x 48"H 2 Shelves
- #17-532 60"W x 14¼"D x 60"H 3 Shelves
- #17-533 60"W x 14¼"D x 72"H 4 Shelves
- #17-534 60"W x 14¼"D x 84"H 5 Shelves
- #17-535 72"W x 14¼"D x 36"H 1 Shelf
- #17-536 72"W x 14¼"D x 48"H 2 Shelves
- #17-537 72"W x 14¼"D x 60"H 3 Shelves
- #17-538 72"W x 14¼"D x 72"H 4 Shelves
- #17-539 72"W x 14¼"D x 84"H 5 Shelves

Tongue & Groove Shelving for Strength



Shown with Optional Doors Bottom only

Shown with Optional Doors Top and Bottom



## Woodbury File Cabinets

Shown in Brown Maple OCS-117



**#17-592** 2 Drw 24¼"W x 24"D x 30½"H

**#17-593** 3 Drw 24¼"W x 24"D x 42¾"H

**#17-594** 4 Drw 24¼"W x 24"D x 55"H

### #17-543 Hutch

32"W x 14½"D x 42½"H



## Woodbury Lateral File-Hutches



### #17-580 Lateral File Credenza

4 Drw 60"W x 24"D x 30½"H

Four lateral file drawers

### #17-590 Lateral File

2 Drw 32"W x 21"D x 30½"H

Two lateral file drawers

Comfortably relaxing... Comfortably productive...

## Woodbury Writing Desks

Shown in Brown Maple OCS-117



**#17-570 Writing Desk**  
48"W x 24"D x 30½"H



**#17-571 Writing Desk**  
60"W x 24"D x 30½"H



**#17-573 Credenza Desk**  
48"W x 24"D x 30½"H



Option Drop Front Drawer  
No Upcharge



**#17-574 Credenza Desk**  
60"W x 24"D x 30½"H



**#17-576 Credenza Desk**  
48"W x 24"D x 30½"H



Option Drawer Lock



**#17-577 Credenza Desk**  
60"W x 24"D x 30½"H

## Woodbury Hutch Tops



**#17-542 Hutch**  
48"W x 14½"D x 42½"H

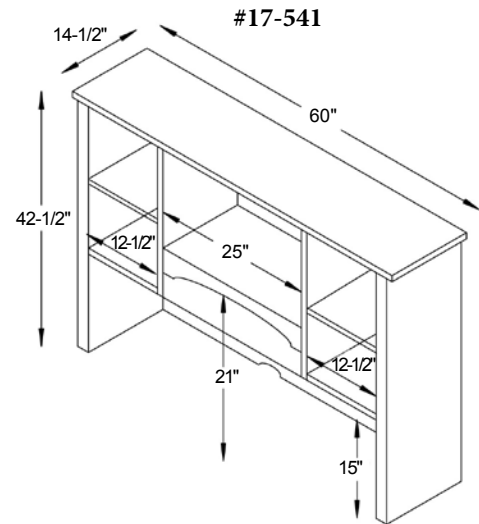
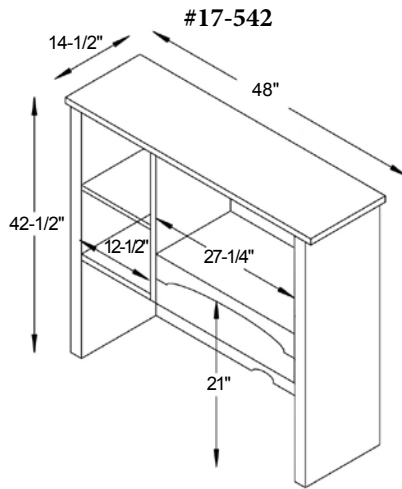
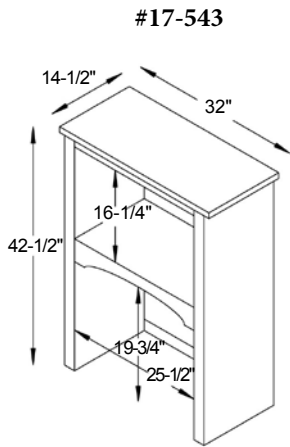
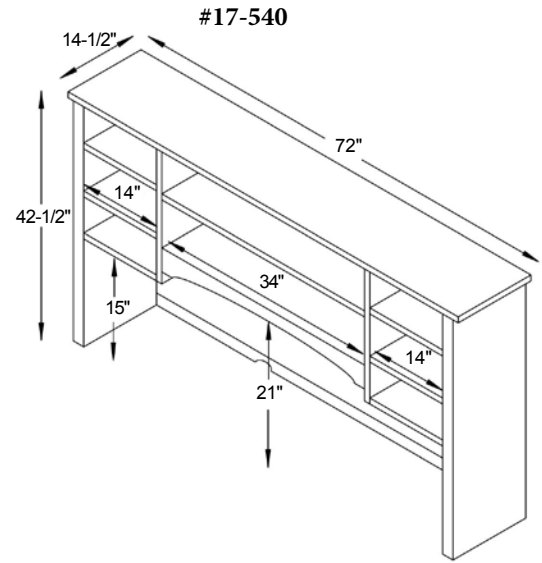
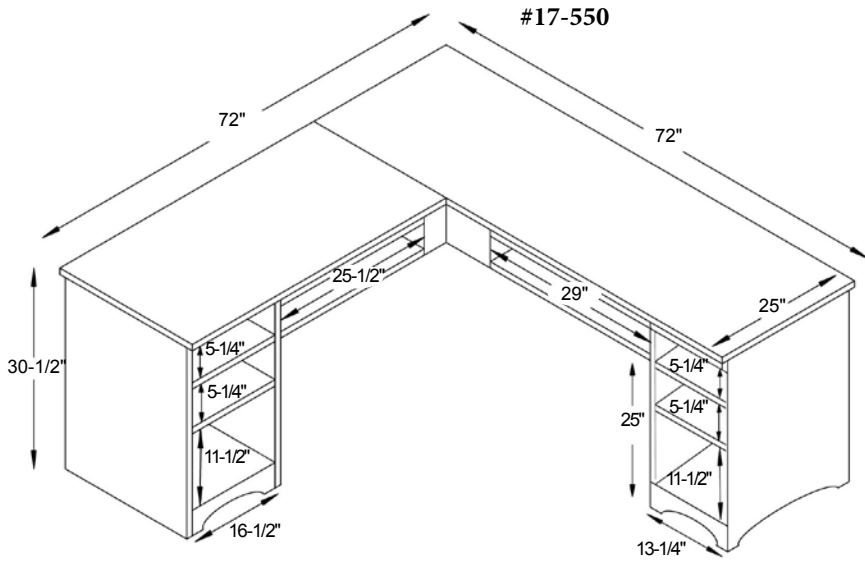


**#17-541 Hutch**  
60"W x 14½"D x 42½"H



# Woodbury Dimensions

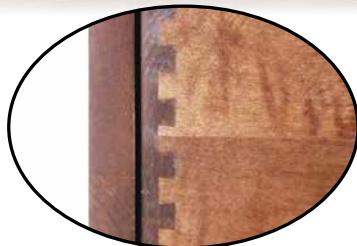
Note! Dimensions on Doors and Openings Represent Opening Size





Shown in Brown Maple OCS-121

# Woodland Shaker Office Suite



• English Dovetail Drawer Boxes



• Drawer Box Same Wood as Cabinet  
• Full Extension Drawer Glides



• Premium Soft Close Anti Rattle Hinges

Std. Hardware



Knob - 55271-BBR



Pull - 55275-BBR

**Desks/Hutches/Bookcases/File Cabinets — Customized to your taste.**

## Standard Features

Manufactured in America  
With American hardwoods  
Finished with American finishes  
By American workers  
Equals heirloom quality that can last for generations.

## Available in!

8 Wood species — Oak/Brown Maple/Rustic Cherry/  
Rustic Q.S.W.O./Rustic Hickory/Prime Cherry/Prime  
Q.S.W.O./Prime Hickory Solid Hardwoods

Many Finish Options stains and Paints ETC.

2-Coats High Quality Catalyzed Finish

Extra Protection for Most Household Chemicals and Water  
Multiple Hardware Options.

## Warranties

1 year on seasonal splits under normal conditions  
(35% to 50% Humidity)

1 year on finishing malfunction bubbling cracking etc.  
(Note! Will not cover if in direct sunlight or chewed on by pets)

10 year limited on any construction malfunctions

10 year limited on any hardware related malfunctions  
(Hinges drawer slides pulls knobs under normal use)

Comfortably relaxing... Comfortably productive...



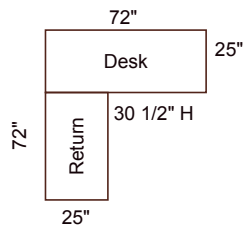
Optional Tower Door Opening 13 1/4"W x 23"H

### #16-150 L-Desk

72"W x 72"W x 25"D x 30 1/2"H

#### Desk Features

- Desk includes keyboard two storage drawers and one file drawer
- Return includes pencil drawer, two storage drawers and file drawer
- Hole in desktop behind keyboard
- Surge Protector in kneehole behind keyboard



Shown in Brown Maple OCS-117



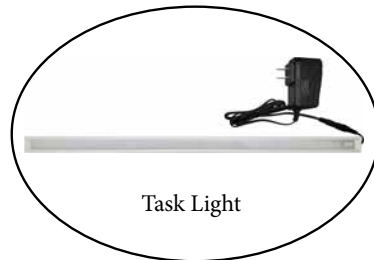
Rear View Finished panels for center room exposure

### #16-140 Hutch

72"W x 13 1/2"D x 40"H

#### Hutch Features

- Adjustable shelves
- Task Light
- Wood doors



Comfortably relaxing... Comfortably productive...

# Woodland Shaker Executive Desk

Shown in Brown Maple OCS-117

## #16-160 Executive Desk

60"W x 30"D x 30½"H

### Also available:

## #16-161 Desk

72"W x 30"D x 30½"H

- Two file drawers, four storage drawers and one pencil drawer
- Two writing board pull-outs
- Inset front panel
- Clipped front corners on top
- 25"W x 24½"W Knee Hole



#16-160 Shown



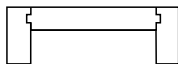
Finished Front View

# Woodland Shaker Bookcase

## # Shelves

- #16-120 36"W x 14½"D x 36"H 1 Shelf
- #16-121 36"W x 14½"D x 48"H 2 Shelves
- #16-122 36"W x 14½"D x 60"H 3 Shelves
- #16-123 36"W x 14½"D x 72"H 4 Shelves
- #16-124 36"W x 14½"D x 84"H 5 Shelves
- #16-125 48"W x 14½"D x 36"H 1 Shelf
- #16-126 48"W x 14½"D x 48"H 2 Shelves
- #16-127 48"W x 14½"D x 60"H 3 Shelves
- #16-128 48"W x 14½"D x 72"H 4 Shelves
- #16-129 48"W x 14½"D x 84"H 5 Shelves
- #16-130 60"W x 14½"D x 36"H 1 Shelf
- #16-131 60"W x 14½"D x 48"H 2 Shelves
- #16-132 60"W x 14½"D x 60"H 3 Shelves
- #16-133 60"W x 14½"D x 72"H 4 Shelves
- #16-134 60"W x 14½"D x 84"H 5 Shelves
- #16-135 72"W x 14½"D x 36"H 1 Shelf
- #16-136 72"W x 14½"D x 48"H 2 Shelves
- #16-137 72"W x 14½"D x 60"H 3 Shelves
- #16-138 72"W x 14½"D x 72"H 4 Shelves
- #16-139 72"W x 14½"D x 84"H 5 Shelves

*Tongue & Groove Shelving for Strength*



*Shown with Optional Doors Bottom only*

*Shown with Optional Doors Top and Bottom*



*60" and 72" Wide Shelves Have a Center Divider*

## Woodland Shaker File Cabinets

*Shown in Brown Maple OCS-117*



**#16-192** 2 Drw 24¼"W x 24"D x 30½"H

**#16-193** 3 Drw 24¼"W x 24"D x 42¾"H

**#16-194** 4 Drw 24¼"W x 24"D x 55"H

**#16-143 Hutch**

32"W x 13½"D x 40"H



## Woodland Shaker Lateral File-Hutches



**#16-180 Lateral File Credenza**

4 Drw 60"W x 24"D x 30½"H

Four lateral file drawers



**#16-190 Lateral File**

2 Drw 32"W x 21"D x 30½"H

Two lateral file drawers

Comfortably relaxing... Comfortably productive...

## Woodland Shaker Writing Desks

*Shown in Brown Maple OCS-117*



**#16-170 Writing Desk**  
48"W x 24"D x 30½"H



**#16-171 Writing Desk**  
60"W x 24"D x 30½"H



**#16-173 Credenza Desk**  
48"W x 24"D x 30½"H



Option Drop Front Drawer  
No Upcharge



**#16-174 Credenza Desk**  
60"W x 24"D x 30½"H



**#16-176 Credenza Desk**  
48"W x 24"D x 30½"H



Option Drawer Lock



**#16-177 Credenza Desk**  
60"W x 24"D x 30½"H

## Woodland Shaker Hutch Tops



**#16-142 Hutch**  
48"W x 13½"D x 40"H



**#16-141 Hutch**  
60"W x 13½"D x 42"H

**Woodland Shaker Dimensions** Note! Dimensions on Doors and Openings Represent Opening Size

