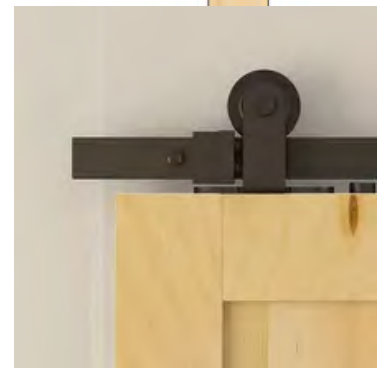
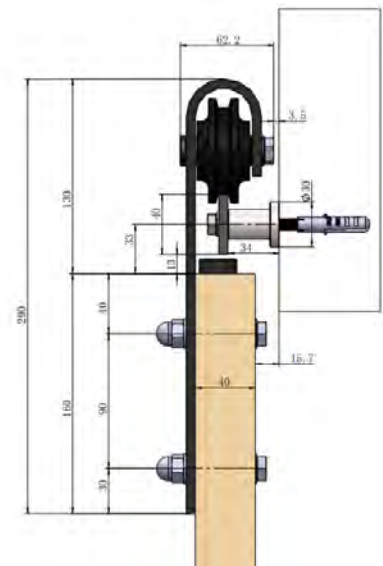


# Superior Slide

## Door Accessories- Contents

Barn Accessories	Page
Barn Door Tracks	2
Barn Door Handle Sets	3
Hanger Sets for Double Doors	4
Soft Closers	4
Track Joiners	5
Privacy Locks	5
Adjustable Posts	5
Track Posts Standard	5
Wall Guides	6
Fitting Instruction	6
Fitting Instruction	7
Fitting Instruction	8

Please note Freight charges for bulky items will apply on lengths over 2 meters, POA



All prices are exclusive of GST.

# Barn Door Track Kits- 100kg

Mappas

Standard inclusions others do not -bonus wall guide -No Joins up to 3 Metres

Architectural

www.mappasarchitectural.com

Note for sizes not listed add multiples of below ;ie 4 metre = 2 x BT1002B , Plus Track Joiner



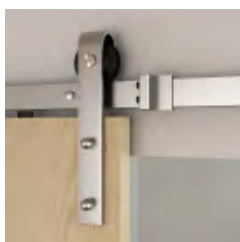
Product Code	Description	Finish	List Price
BT1018B	Barn Door Track 1800 mm , 450 mm fixing	BLK	\$155.00
BT1002B	Barn Door Track 2000 mm , 450 mm fixing	BLK	\$160.00
BT10025B	Barn Door Track 2500 mm , 450 mm fixing	BLK	\$195.00
BT1003B	Barn Door Track 3000 mm , 450 mm fixing	BLK	\$270.00
BTBPHB	Barn Track Bypass Hangers	BLK	\$23.00



Bypass Hangers : Required For Each Length ,Qty 5 for 2 Metre , Qty of 6 for 2.5 Metre and 7 for 3 Metre.



Product Code	Description	Finish	List Price
BT10018W	Barn Door Track 1800 mm , 450 mm fixing	White	\$185.00
BT1002W	Barn Door Track 2000 mm , 450 mm fixing	White	\$190.00
BT10025W	Barn Door Track 2500 mm , 450 mm fixing	White	\$240.00
BT1003W	Barn Door Track 3000 mm , 450 mm fixing	White	\$270.00



Product Code	Description	Finish	List Price
BT1002SS	Barn Door Track 2000 mm , 450 mm fixing	SS	\$398.00
BT10025SS	Barn Door Track 2500 mm , 450 mm fixing	SS	\$500.00
BT1003SS	Barn Door Track 3000 mm , 450 mm fixing	SS	\$550.00

Kits include these components below with Bouns Wall Guide



Product Code	Description	Finish	List Price
BT10018SG	Barn Door Track 1800 mm , 450 mm fixing	SATIN PVD GOLD	\$320.00
BT1002SG	Barn Door Track 2000 mm , 450 mm fixing	SATIN PVD GOLD	\$330.00
BT10025SG	Barn Door Track 2500 mm , 450 mm fixing	SATIN PVD GOLD	\$350.00



Wall Guide Included , and track with zero joins up to 3 metre.

# Barn Door Handle Sets



Product Code	Description	Finish	List Price
BTPH300RSG	H/Set F/Pull 214mm . 300mm, 214mm	SATIN PVD GOLD	\$104.00



Product Code	Description	Finish	List Price
BTPH200RBLK	H/Set F/Pull 214mm . 300mm, 214mm	BLK	\$56.00



Product Code	Description	Finish	List Price
BTPH300RW	FH/Set F/Pull 300mm, 214mm	White	\$56.00



Product Code	Description	Finish	List Price
BTPH300RSS	H/Set F/Pull 300mm . 214mm	SS	\$60.00



Product Code	Description	Finish	List Price
BTPH200SD-SG	H/Set F/Pull 200mm . 214mm	SATIN PVD GOLD	\$104.00

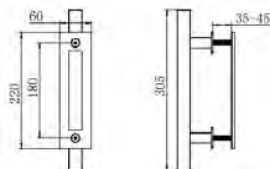


Product Code	Description	Finish	List Price
BTPH200SD-SG	H/Set F/Pull 200mm.214mm	SATIN PVD GOLD	\$104.00

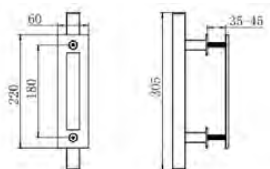


Product Code	Description	Finish	List Price
BTPH300SQB	H/Set F/Pull 305mm, 220mm	BLK	\$68.00

Product Code	Description	Finish	List Price
BTP300SQWHT	H/Set F/Pull 305mm ,220mm	White	\$68.00



Product Code	Description	Finish	List Price
BTP300SQSS	H/Set F/Pull 305mm , 220mm	SS	\$72.00



All prices are exclusive of GST.

# Barn Door Handle Sets



ROSEWOOD



BLACKBUTT



TASSIE OAK



## BESPOKE HANDLES , SELECT TIMBERS , OZ MADE , IN THE RAW , OILED POA



Product Code	Description	Finish	List Price
BBTPH300RT-R	Radius Tee H/Set 300mm x 50mm	ROSEWOOD	\$490.00
BBTPH300RT-B	Radius Tee H/Set 300mm x 50mm	BLACKBUTT	\$490.00
BBTPH300RT-T	Radius Tee H/Set 300mm x 50mm	TASSIE OAK	\$490.00



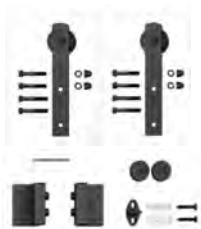
Product Code	Description	Finish	List Price
BBTPH270D -R	D H/S 270mm x 180mm	ROSEWOOD	\$560.00
BBTPH270D-B	D H/S 270mm x 180mm	BLACKBUTT	\$560.00
BBTPH270D -T	D H/S 270mm x 180mm	TASSIE OAK	\$560.00



Product Code	Description	Finish	List Price
BBTPH300ST-R	Square Tee H/S 300mm x 50mm	ROSEWOOD	\$490.00
BBTPH300RT-B	Square H/S 300mm x 50mm	BLACKBUTT	\$490.00
BBTPH300RT-T	Square H/S 300mm x 50mm	TASSIE OAK	\$490.00

# Barn Door

## Hanger sets -Joiners -Soft Close



Product Code	Description	Finish	List Price
BTHS100B	2 hangers ,2 stops, 2 Anti-jumps, 1 wall guide and 1 floor guide	BLK	\$96.00
BTHS100W	2 hangers ,2 stops, 2 Anti-jumps, 1 wall guide and 1 floor guide	White	\$96.00
BTHS100SS	2 hangers ,2 stops, 2 Anti-jumps, 1 wall guide and 1 floor guide	SS	\$190.00



Product Code	Description	Finish	List Price
BTTFHS100B	Top fix hangers ,2 stops, 2 Anti-jumps, 1 wall guide and 1 floor guide	BLK	\$96.00
BTTFHS100W	Top fix hangers ,2 stops, 2 Anti-jumps, 1 all guide and 1 floor guide	White	\$96.00



Product Code	Description	Finish	List Price
BTBY100B	Bypass hanger kit ,2 inner hangers 2 Outer hangers , 5 x extended posts	BLK	\$96.00



Product Code	Description	Finish	List Price
TJ01B	Straight Track Joiner	BLK	\$8.00
TJ01W	Straight Track Joiner	White	\$8.00
TJ01SS	Straight Track Joiner	SS	\$10.00



Product Code	Description	Finish	List Price
BTSC60	Soft Close 60 kg Capacity	BLK	\$56.00

Product Code	Description	Finish	List Price
SCCWHT	Soft Closer Clip Set of 4 , less screws , note fit with existing black screws	WHT	\$9.00
SCCSG	Soft Closer Clip Set of 4 , less screws , note fit with existing black screws	SG	\$9.00
SCCSS	Soft Closer Clip Set of 4 , less screws , note fit with existing black screws	SS	\$9.00



Product Code	Description	Finish	List Price
BTSC80	Soft Close 80 kg Capacity , With Metal Cover	BLK	\$80.00

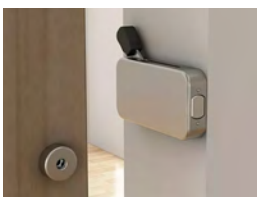




# Barn Door Privacy Sets



Description	Finish	List Price
BTPLB Sliding Door Privacy Lock , with Emergency Release	BLK	\$55.00



Product Code	Description	Finish	List Price
BTPLSS	Sliding Door Privacy Lock , with Emergency Release	SS	\$55.00



100K Cycle Tested

External emergency unlock function  
Application: Privacy locks for sliding barn door openings, with screws fixing onto jamb, dust proof strike mounted on barn door . Features:  
Surface mount on jamb for quick installation  
Suitable for any type of wall or jamb surface  
Easy to use one touch thumb lever  
Release button with decorative cap installed on outside of door for emergency release.  
Powder coated black or stainless steel finish  
For 35-45mm thick door For door thickness:35mm/40mm/45mm .



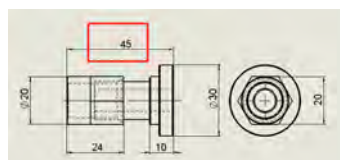
Product Code	Description	Finish	List Price
BTWGB	Wall Guide 22mm to 55mm Door	BLK	\$24.00
BTWGW	Wall Guide 22mm to 55mm Door	White	\$24.00
BTWGSS	Wall Guide 22mm to 55mm Door	SS	\$26.00



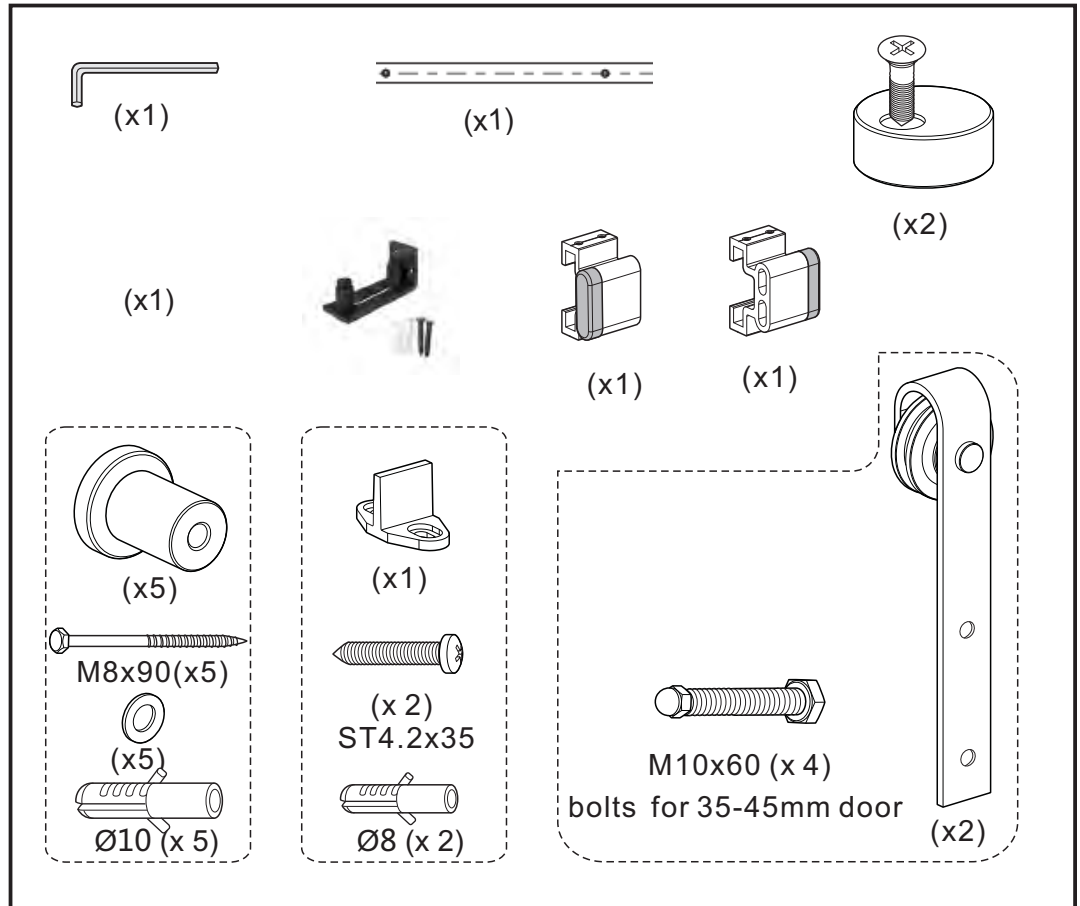
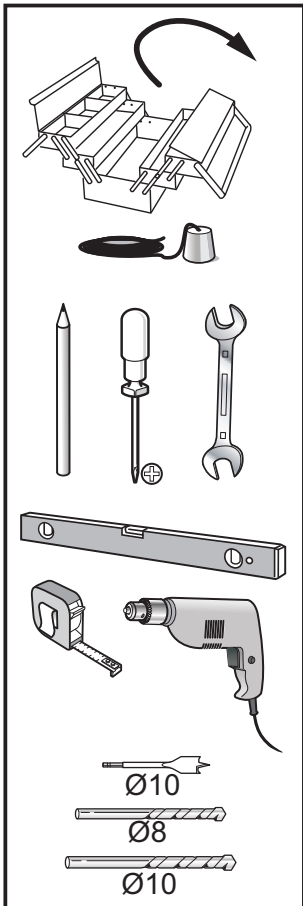
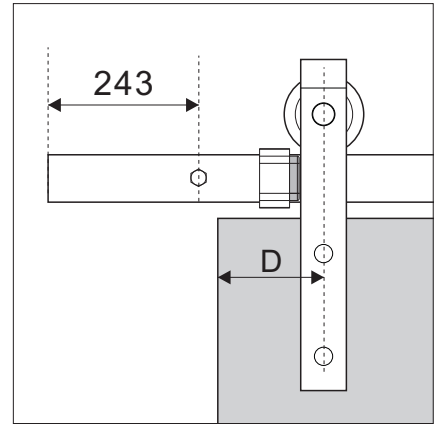
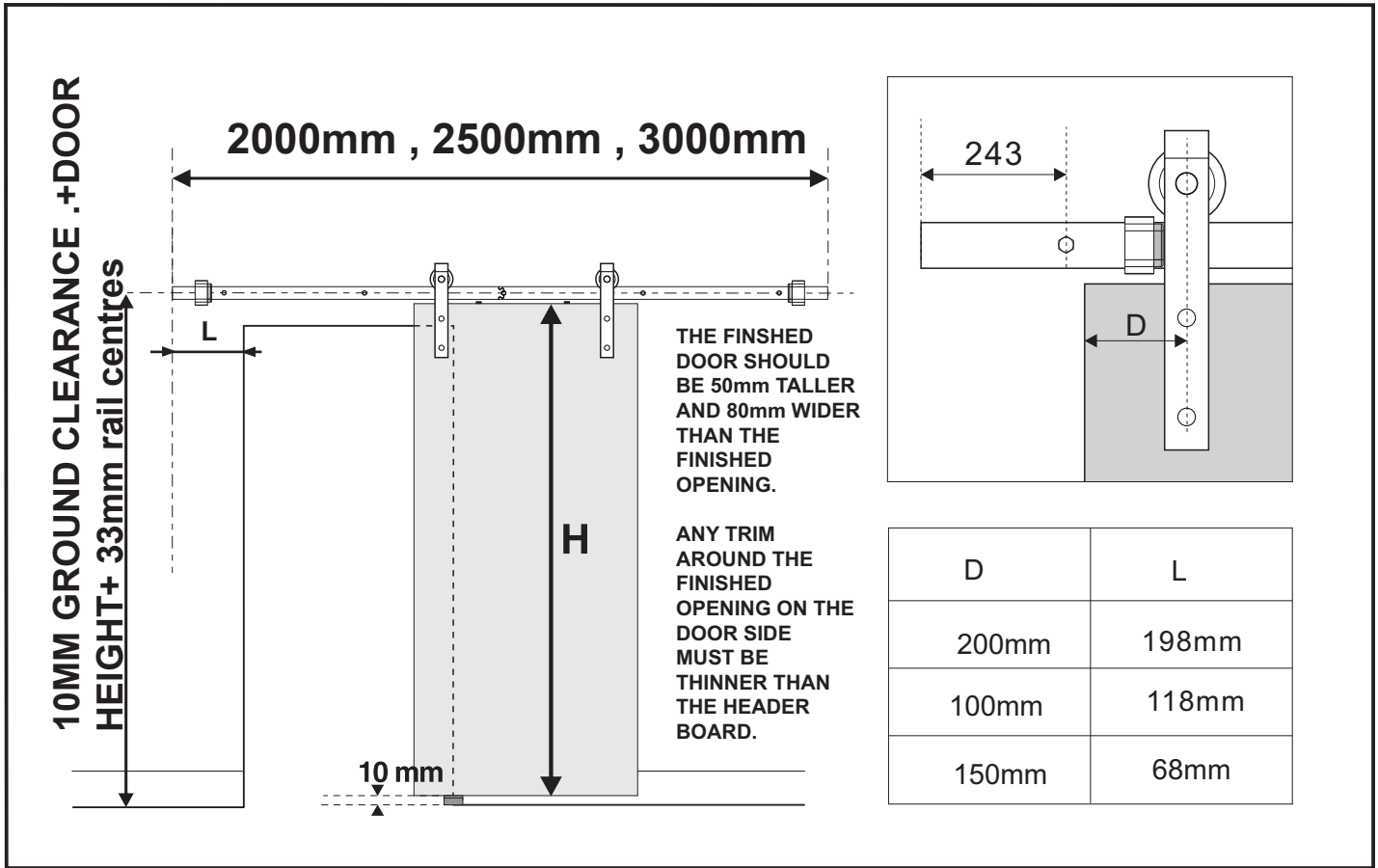
Product Code	Description	Finish	List Price
TP01B	Track Post Pillars with Mounting Bolt and Washer	BLK	\$7.00
TP01W	Track Post Pillars with Mounting Bolt and Washer	White	\$7.00
TP01SS	Track Post Pillars with Mounting Bolt and Washer	SS	\$8.00



Product Code	Description	Finish	List Price
BDADJP	Adjustable Post Pillars 34mm to 45mm	BLK	\$9.80



All prices are exclusive of GST.



# Barn Door Installation Guide - Page 2

**1**

x5

L

GROUND

CLEARANCE 10MM +H+3mm for rail holes

MEASURE THE WALL AND MARK THE HOLES FOR THE MOUNTING HARDWARE.

**2**

x5

50mm

Ø10

DO NOT INSTALL TRACK DIRECTLY ONTO THE PLASTER BOARD. A HEADER BOARD ABOVE THE DOOR OPENING IS REQUIRED FOR PLASTERBOARD INSTALLS ( NOT REQUIRED FOR SOLID WALLS ).

MOUNT THE HEADER BOARD TO WALL STUDS WITH SUITABLE FASTENERS ( NOT INCLUDED ).

**3**

HANG THE TRACK ON THE HEADER BOARD OR SOLID WALL APPLICATION AS FIT FOR PURPOSE.

**4**

INSTALL THE STRAPS ON THE DOOR. (X2)

FOR A 35-45mm THICK DOOR, USE THE SHORTER SET OF INCLUDED BOLTS.

drill out

Ø10

40mm

90mm

D

**5**

1/2

CENTRE THE ANTI-JUMP DISCS ON THE TOP EDGE OF THE DOOR MAKE SURE THE SCREWS ARE ON THE FORWARD EDGE OF THE DOOR. DISCS CAN BE ROTATED OUT OF THE WAY TO INSTALL THE DOOR ON THE TRACK.

**6**

**1**

HANG THE DOOR ON THE TRACK. ROTATE THE ANTI JUMP DISCS BACK SO THEY ARE CENTERED ON THE TOP OF THE DOOR.

2



7

WALL GUIDE OPTION, ADJUSTABLE TO 75MM MAX.

CHOOSE EITHER WALL GUIDE OR HIDDEN FLOOR GUIDE OPTIONS. IF FLOOR GUIDE IS CHOSEN., USE A ROUTER TO CUT THE OPENING IN THE BOTTOM OF THE DOOR. PLEASE NOTE, NOT RECCOMENDED ON CARPET FLOORS (USE WALL GUIDE OPTION.)

8

(X2)

INSTALL AND ADJUST THE THE TRACK STOP ENDS

9

OPTIONAL ADJUSTABLE PILLAR POSTS WITH SCREW WASHER AND FIXING, SOLD SEPERATLEY.

34MM TO 45MM ADJUSTABLE

ASSISTS IF WALL UNDULATION IS PRESENT AND LARGER PROJECTION ARCHITRAVES ARE FITTED.

NOTE FOR LONGER THAN 3 METRES USE TRACK JOINER AND SELECT AN ADDITIONAL TRACK SET WHICH WILL GIVE YOU THE LENGTH REQUIRED AND GIVE YOU AN ADDITIONAL HANGER SET IF FOR DOUBLE DOOR APPLICATION. IF DOUBLE DOORS ARE WITHIN STANDARD LENGTH TRACKS, ORDER AN ADDITIONAL HANGER SET WHICH WILL HAVE ALL THE ITEMS YOU REQUIRE PACKED IN ONE CONVENIENT KIT WHICH INCLUDES: EXTRA HANGER SET: PLUS WALL AND FLOOR GUIDE, ANTI JUMP DISCS AND EXTRA TRACK STOPS.