

TransCore (Gate) Reader Instructions

- A new TransCore (gate) reader will be issued for each vehicle registered to park at Riverfront. The license plate registered will be attached to the TransCore and only the registered vehicle will be permitted to park on Riverfront property. Please notify us immediately if your vehicle information has changed.
- The TransCore will have a velcro attachment to affix to the registered vehicle and will allow the gate to be opened automatically once the vehicle passes the sensor. There will be no need to roll down a window and swipe a card.
- The reader will need to be affixed to the upper center portion of the windshield. Position the tag as closely as possible to the windshield's upper center, behind the rearview mirror. The top edge of the tag should be approximately one inch below the base of the mirror, or above the base if enough room is available for the tag to be two inches from the metal around the windshield as shown below. (See attached diagram)
- The first initial entry into the new gate will require each TransCore to be held in the vicinity as outlined prior to affixing to ensure that the reader picks up the signal to open the gate.
- Cars, vans, and trucks may not be located in the exact same location to pick up the signal due to the height of the vehicles. This is why it is necessary to test the TransCore prior to attaching to the windshield.
- The license plate number registered to the vehicle will need to be visible from the exterior windshield upon observation.
- The TransCore may only be attached to the vehicle registered with our Resident Services Office and must match the license plate on the vehicle.
- Any vehicle with a missing license plate sticker on the TransCore or with a license sticker different than the vehicle will be towed at the vehicle owner's expense.
- All parking stickers will be eliminated and may be removed from the vehicle. The new TransCore with the license plate number attached will replace the parking stickers for entry onto the property.
- Riverfront does not allow vehicles to be covered or stored in the parking structure at anytime.
- TransCore (gate) readers are provided one per registered vehicle at no cost. Requests for replacement TransCore readers are \$75 and the original TransCore will be de-programmed upon a replacement being provided.
- Fobs are provided one per leaseholder / occupant and additional or replacement fobs are \$25 per fob. \$25 fee is assessed for the fob upon adding occupants to the apartment.

Interior Center Windshield

You may also install ATA tags on the upper center portion of the windshield. Position the tag as closely as possible to the windshield's upper center, behind the rearview mirror. The top edge of the tag should be approximately one inch (2.5 cm) below the base of the mirror, or above the base if enough room is available for the tag to be two inches (five cm) from metal around the windshield, as shown in Figure 3-18.

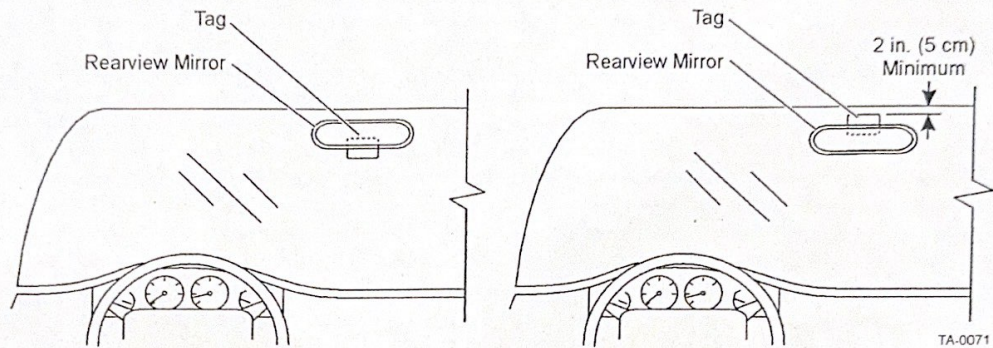


Figure 3-18 Upper Center Interior Windshield Tag Location

ATA Interior Tag Installation Procedures

Perform the following steps to install interior tags:

1. Clean the tag installation area on the interior surface of the windshield with rubbing alcohol.
2. Dry the area thoroughly using a clean, dry cloth.
3. Remove the clear backing from the two strips of hook-and-loop material on the back of the tag (Figure 3-19) or from the double-sided tape.

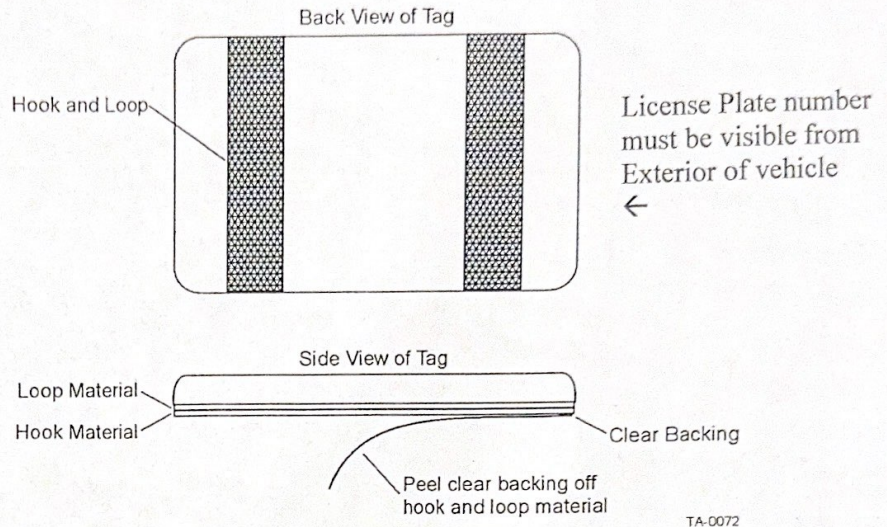


Figure 3-19 Hook-and-Loop Material on Interior Tag

4. Position the tag over the correct area of the windshield, making sure that the tag and reader orientation are the same (horizontal or vertical).
5. Press the tag firmly against the glass.

Removing Interior ATA Tags

To remove an interior ATA-protocol tag installed using hook-and-loop material, simply pull the tag away from the windshield.

To remove an interior ATA-protocol tag installed using double-sided tape, slowly pry off the tag with a thin tool, such as a putty knife.

Installing ATA License Plate Tags

Metallized coatings on some vehicle windshields and windows absorb the RF energy emitted by the eGo 2110 Reader, thus causing tags to be misread. Use exterior license plate tags on vehicles with metallized coatings on windshields and windows.

Use license plate installation techniques to install tags on the exterior of vehicles that have this type of window coating.

Note: The read zone of an overhead eGo 2110 Reader should be adjusted accordingly when an exterior tag is installed on a license plate, or the read zone will be reduced.

Exterior tags may be installed on metal or plastic bumpers using the existing license plate bracket and hardware.