

LUXAS WORKING LAMP

Add: Central Cakung Business Park Blok G2. 1-2, Jl. Cakung Cilincing Raya No.KM. 3, Rorotan, Kec. Cilincing, Special Capital Region of Jakarta 14140.



40W



3400LM



IP69K



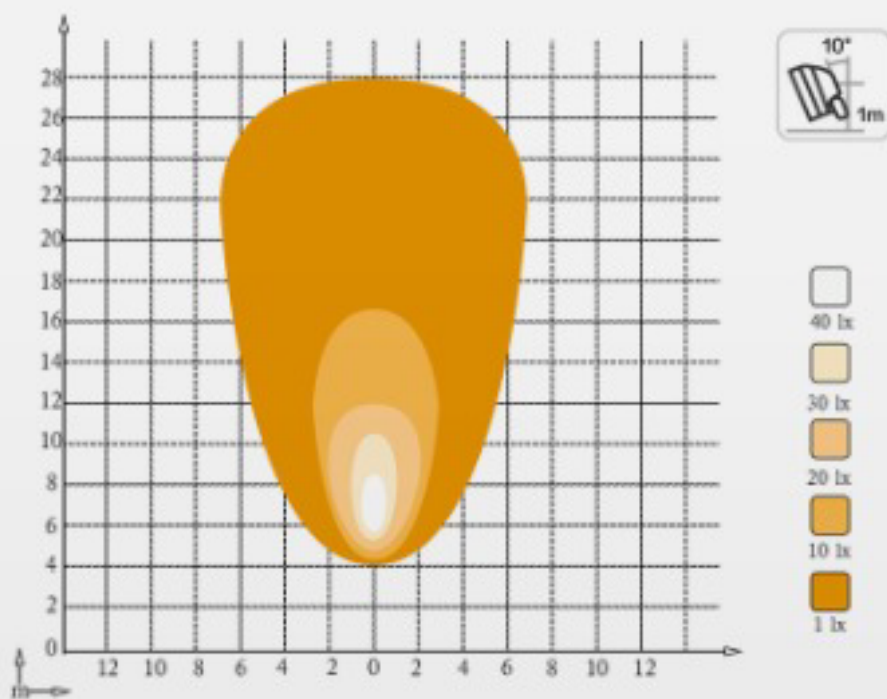
**MULTI-VOLT
9-32V**



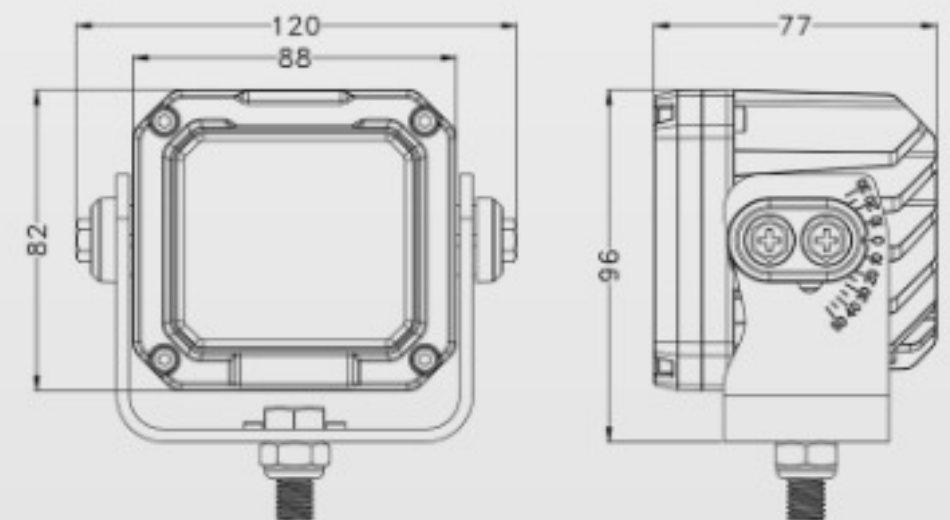
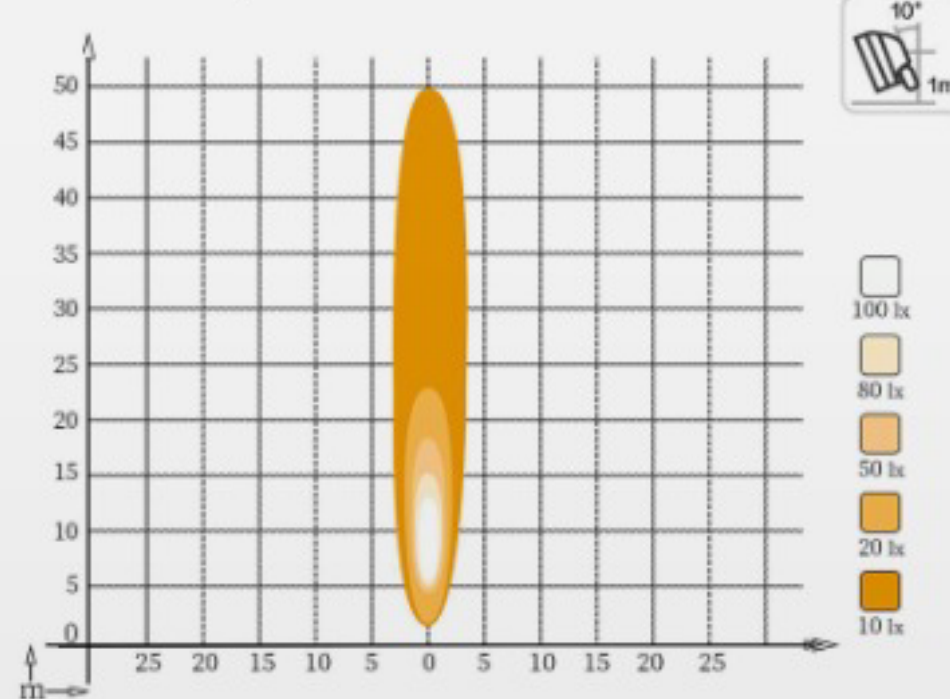
EMC CISPR 25 – Class 4



LED-flood



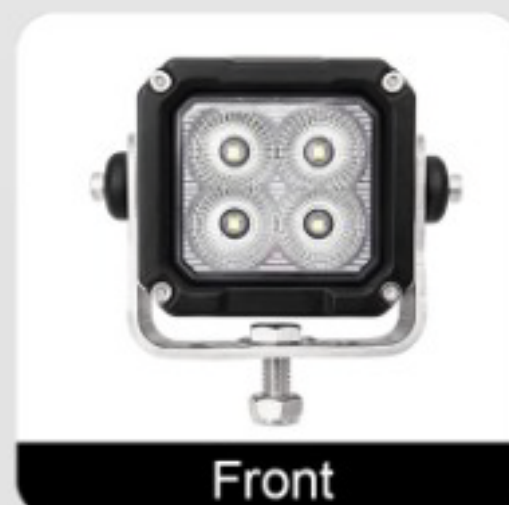
LED-spot



Model: AAAC3578

SPECIFICATIONS:

Power	40W
Voltage range	9-32V
Luminous flux	3400LM
Light type	4pcs 10W Osram LEDs
Waterproof rate	IP69K
Material	PC lens
Operating temperature	-45°C-+85°C
Beam	flood and spot beam 15 degree optional
Material of housing	aluminum alloy
EMC CISPR 25 – Class 4	



LUXAS WORKING LAMP

Add: Central Cakung Business Park Blok G2. 1-2, Jl. Cakung Cilincing Raya No.KM. 3, Rorotan, Kec. Cilincing, Special Capital Region of Jakarta 14140.



60W



5100LM



IP69K



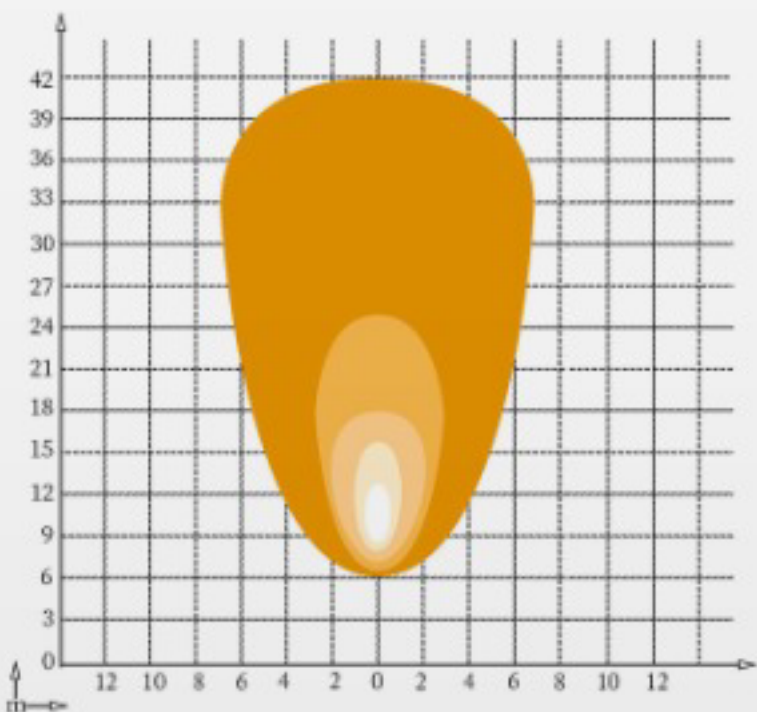
**MULTI-VOLT
9-32V**



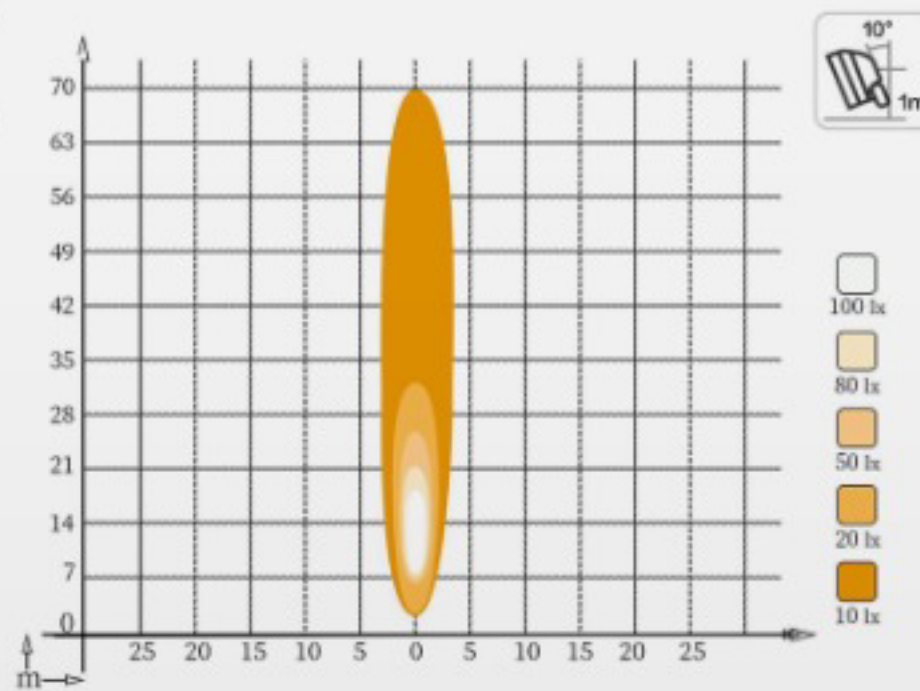
EMC CISPR 25 – Class 4



LED-flood



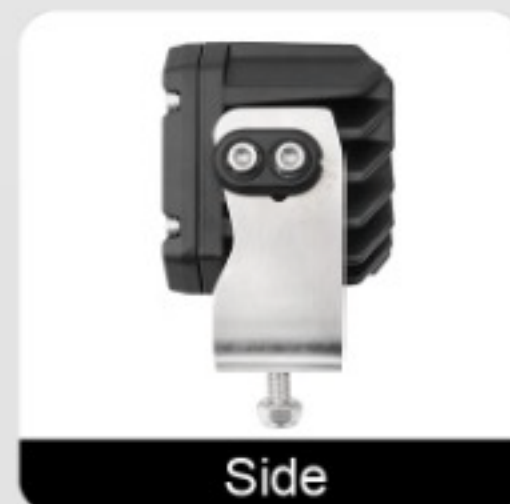
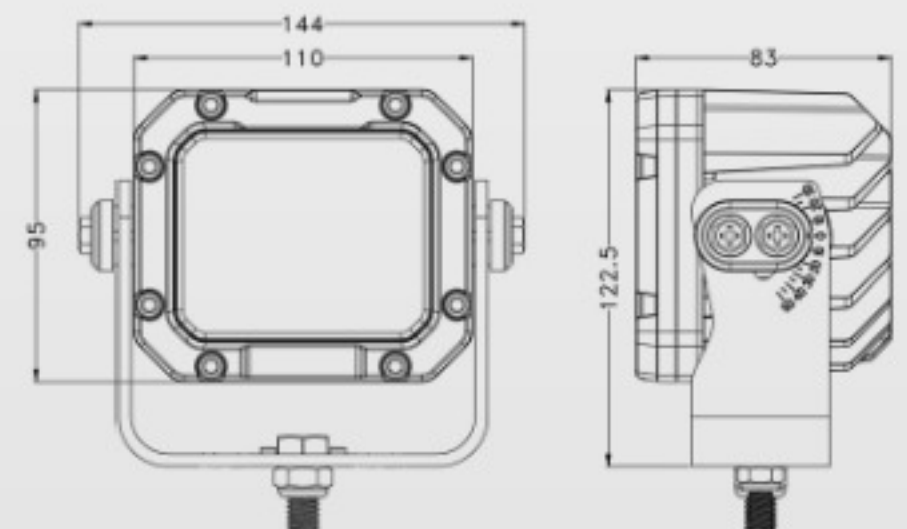
LED-spot



Model: AAAC3235

SPECIFICATIONS:

Power	60W
Voltage range	9-32V
Luminous flux	5100LM
Light type	6pcs 10W Osram LEDs
Waterproof rate	IP69K
Material	PC lens
Operating temperature	-45°C-+85°C
Beam	flood and spot beam 15 degree optional
Material of housing	aluminum alloy
EMC CISPR 25 – Class 4	



LUXAS WORKING LAMP

Add: Central Cakung Business Park Blok G2. 1-2, Jl. Cakung Cilincing Raya No.KM. 3, Rorotan, Kec. Cilincing, Special Capital Region of Jakarta 14140.



90W



7650LM



IP69K



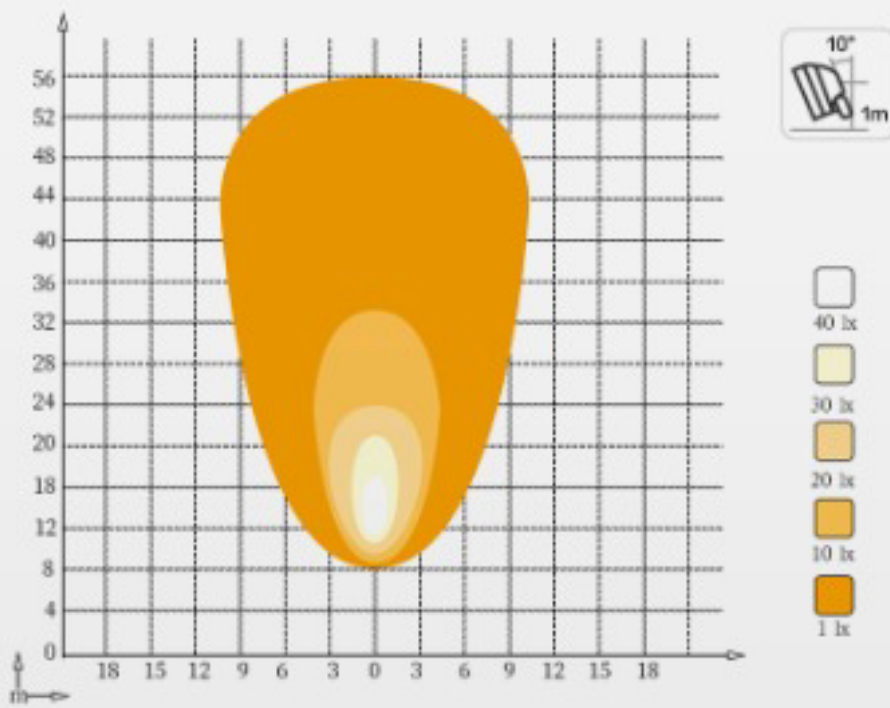
**MULTI-VOLT
9-32V**



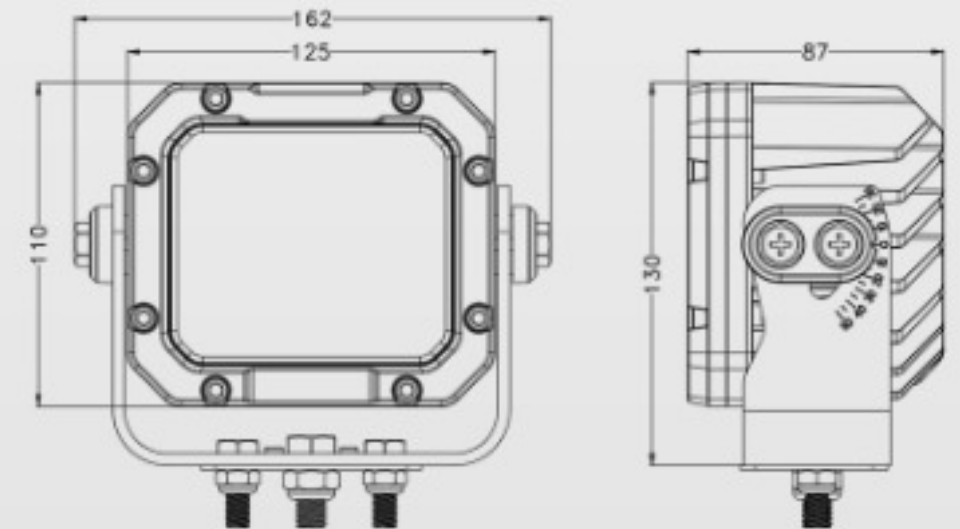
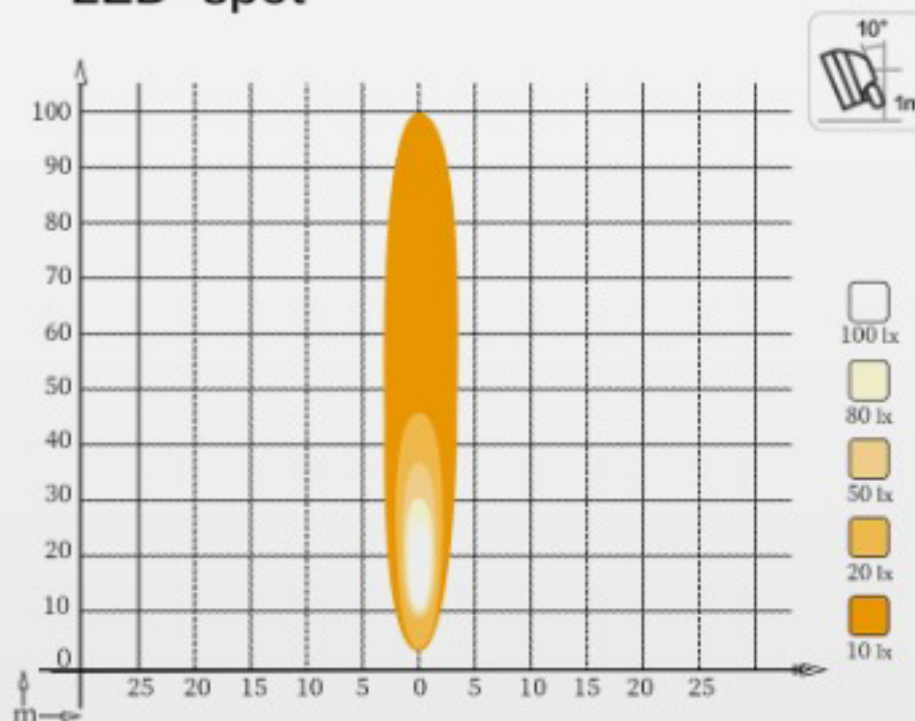
EMC CISPR 25 – Class 4



LED-flood



LED-spot



Model: AAAC3312

SPECIFICATIONS:

Power	90W
Voltage range	9-32V
Luminous flux	7650LM
Light type	9pcs 10W Osram LEDs
Waterproof rate	IP69K
Material	PC lens
Operating temperature	-45°C-+85°C
Beam	flood and spot beam 15 degree optional
Material of housing	aluminum alloy
EMC CISPR 25 – Class 4	

