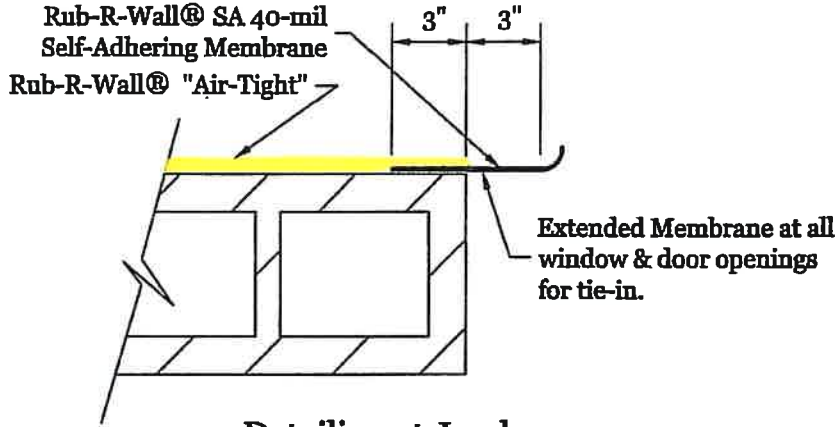
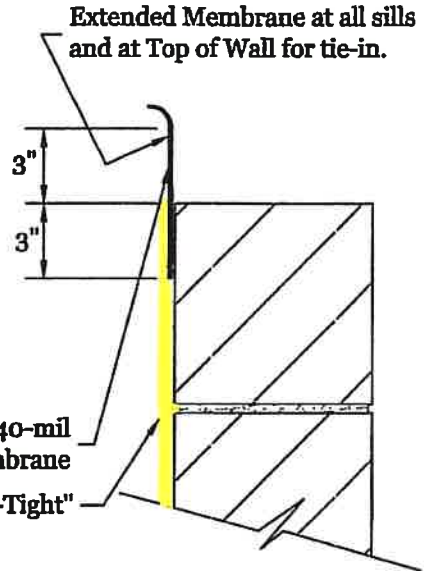


Rub-R-Wall Airtight

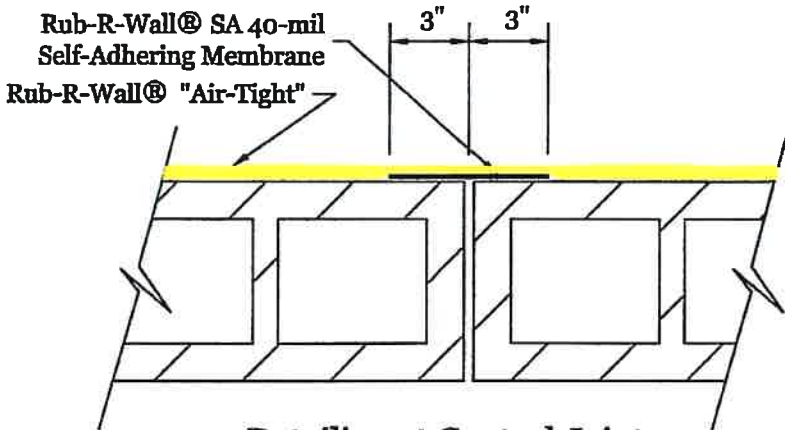
Rub-R-Wall Airtight VP



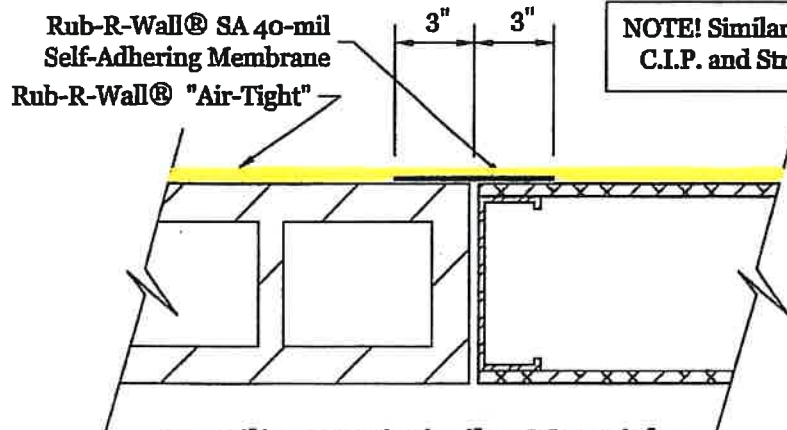
Detailing at Jamb



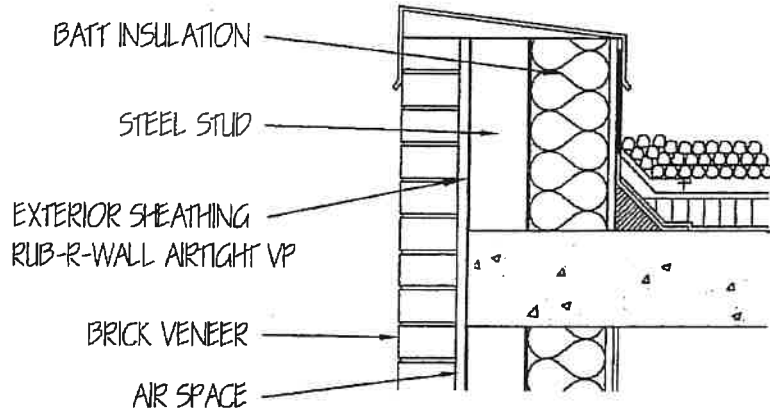
Detailing at Sills and Top of Wall



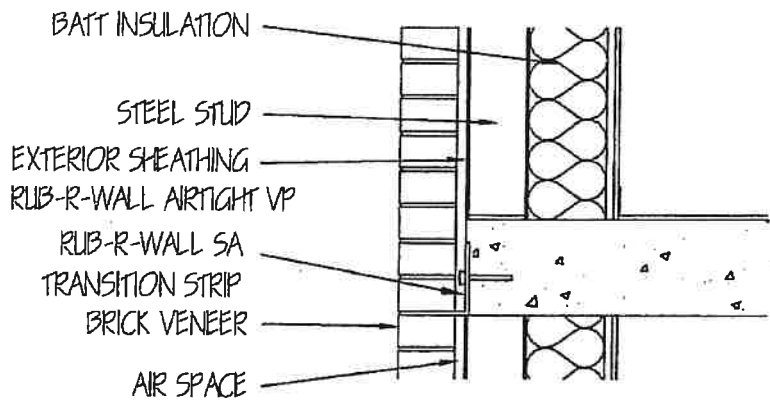
Detailing at Control Joints



Detailing at Dissimilar Materials



ROOF AT PARAPET WALL



INTERMEDIATE FLOOR

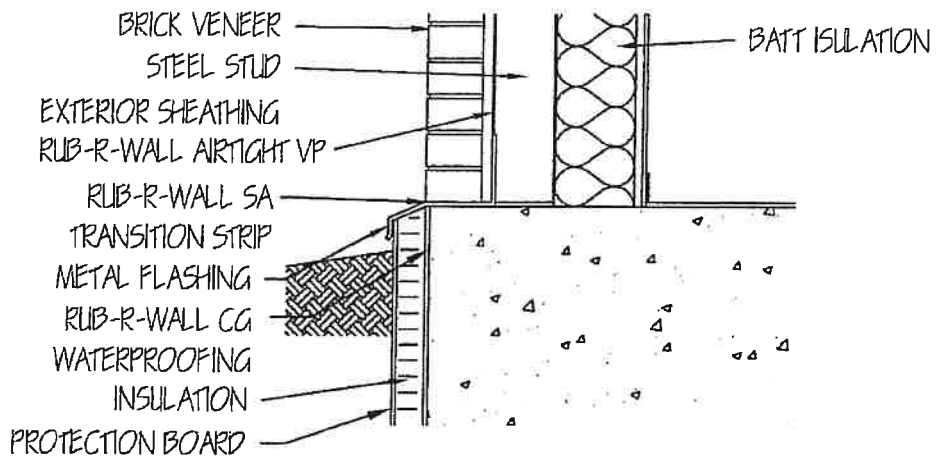


1135 W. Portage Trail
Akron, Oh 44313-8283

Phone: (800) 860-7721
Fax: (330) 945-9416
WWW.RPCINFO.COM

RUB-R-WALL AIRTIGHT VP (VAPOR PERMEABLE) BARRIER

BRICK VENEER/STEEL STUD



WALL AT GRADE

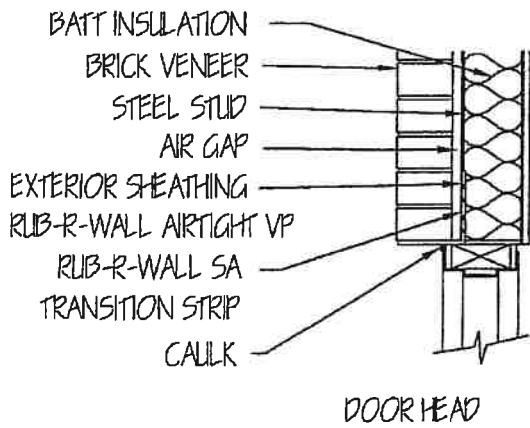
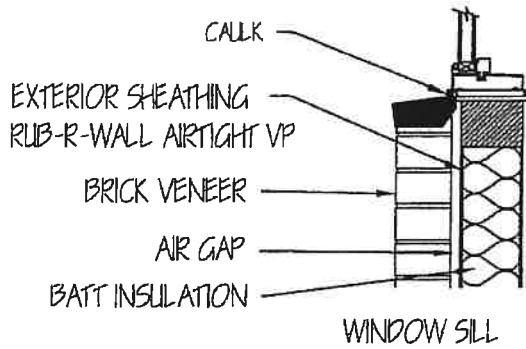
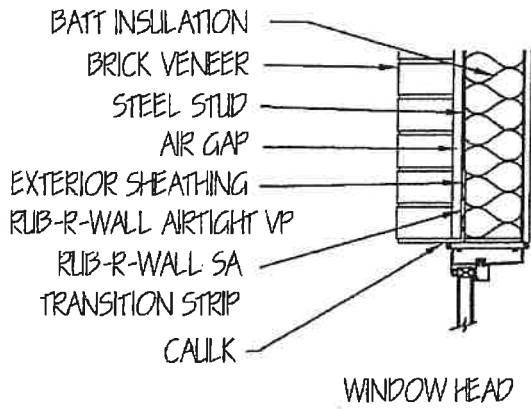


1135 W. Portage Trail
Akron, Oh 44313-8283

Phone: (800) 860-7721
Fax: (330) 945-9416
WWW.RPCINFO.COM

RUB-R-WALL AIRTIGHT VP (VAPOR PERMEABLE) BARRIER

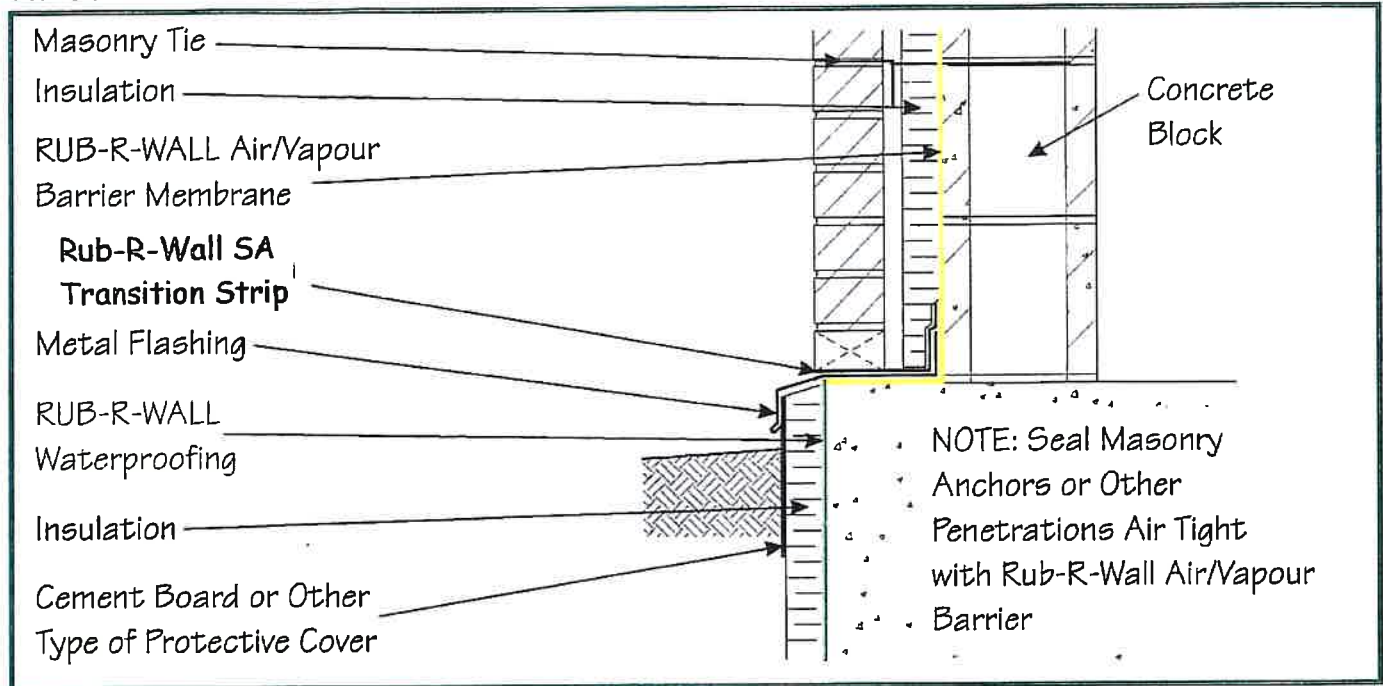
BRICK VENEER/STEEL STUD



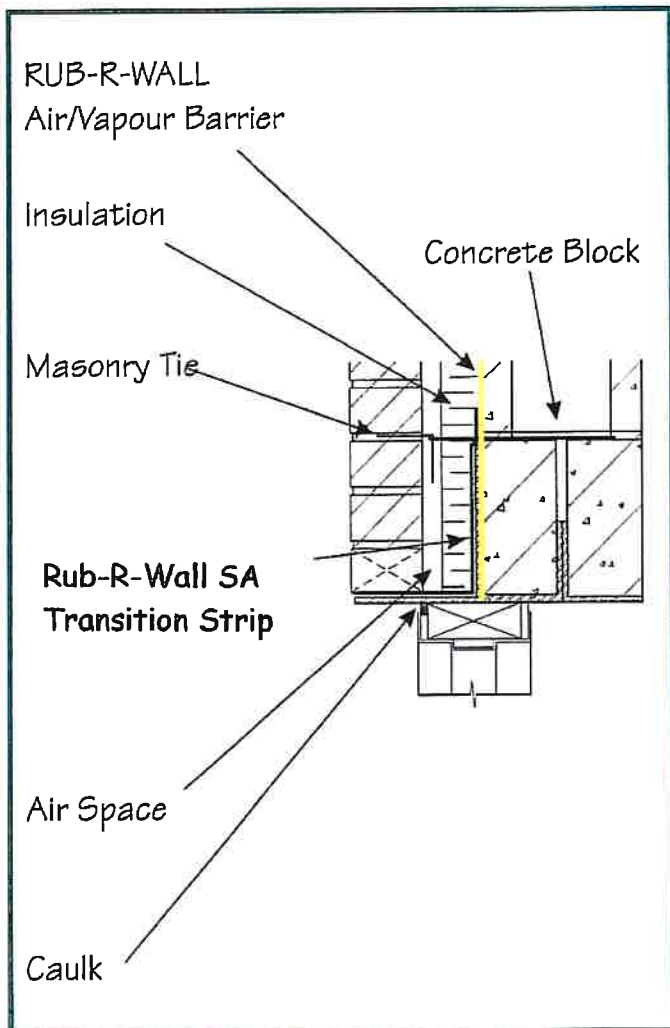
1135 W. Portage Trail
Akron, Oh 44313-8283
Phone: (800) 860-7721
Fax: (330) 945-9416
WWW.RPCINFO.COM

RUB-R-WALL AIRTIGHT VP (VAPOR PERMEABLE) BARRIER
BRICK VENEER/STEEL STUD

WALL AT GRADE



DOOR HEAD



WINDOW HEAD & SILL

