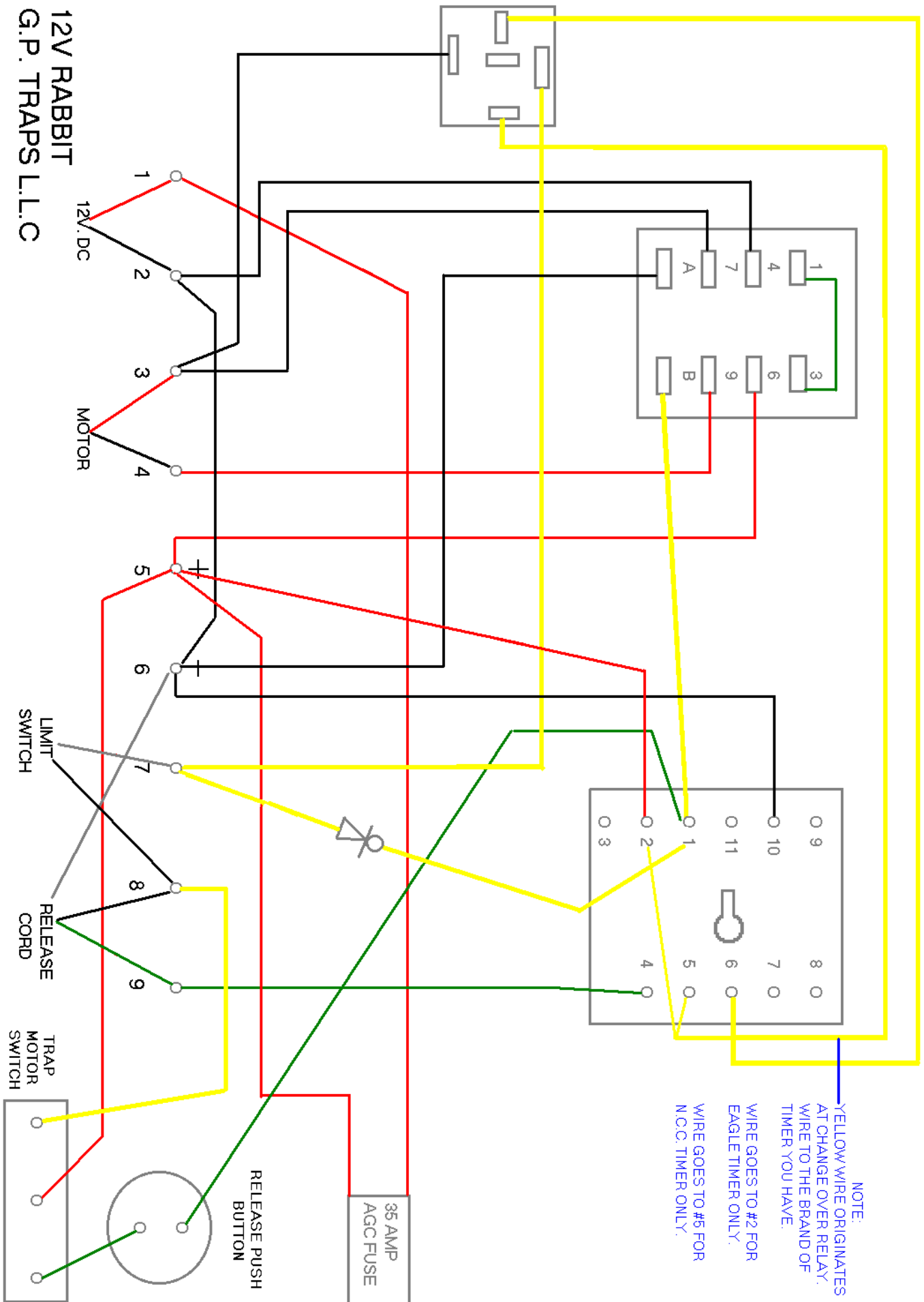
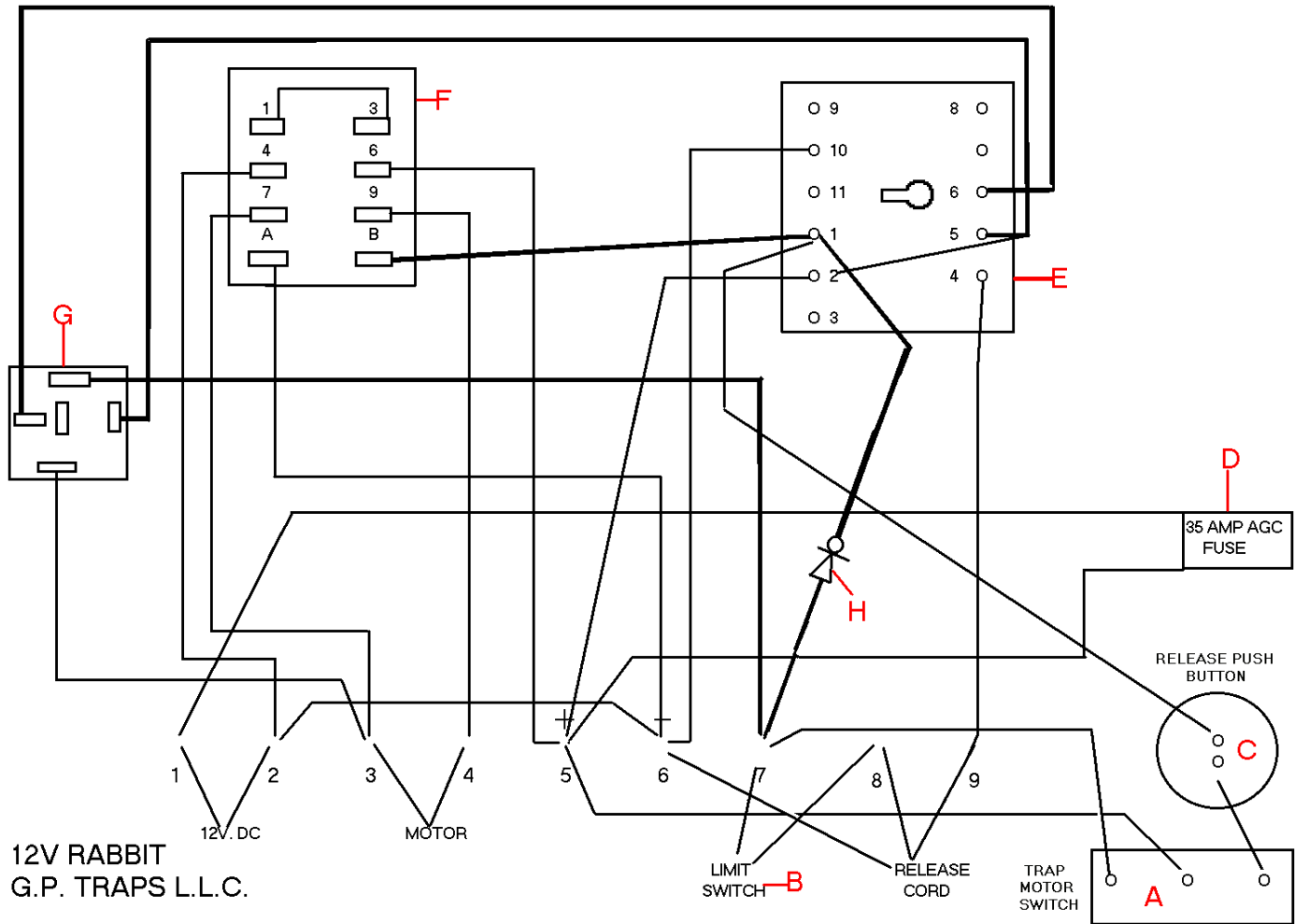


12V RABBIT
G.P. TRAPS L.L.C



NOTE:
YELLOW WIRE ORIGINATES
AT CHANGE OVER RELAY.
WIRE TO THE BRAND OF
TIMER YOU HAVE.
WIRE GOES TO #2 FOR
EAGLE TIMER ONLY.
WIRE GOES TO #5 FOR
NCC TIMER ONLY.



A -	SWITCH - ON-ON	SSWSS206-BG
B -	LIMIT SWITCH - LIMIT SWITCH HEAD -	C&HE49S71 C&HE49AP7
C -	PUSH BUTTON SWITCH -	73475
D -	AGC PANEL MOUNT FUSE HOLDER 35 AMP AGC FUSE - TRAP MOTOR	270-0364 79809
E -	11-PIN RELAY BASE 11-PIN TIMER - N.C.C. 11-PIN TIMER - EAGLE	886-1427-60SR3P06 NCT3K-00010-466 81QZX103
F -	RELAY - MAGNECRAFT	W389 CH-7
G -	CHANGE OVER RELAY (30 AMP)	73980
H -	DIODE	858-4059, 276-1144