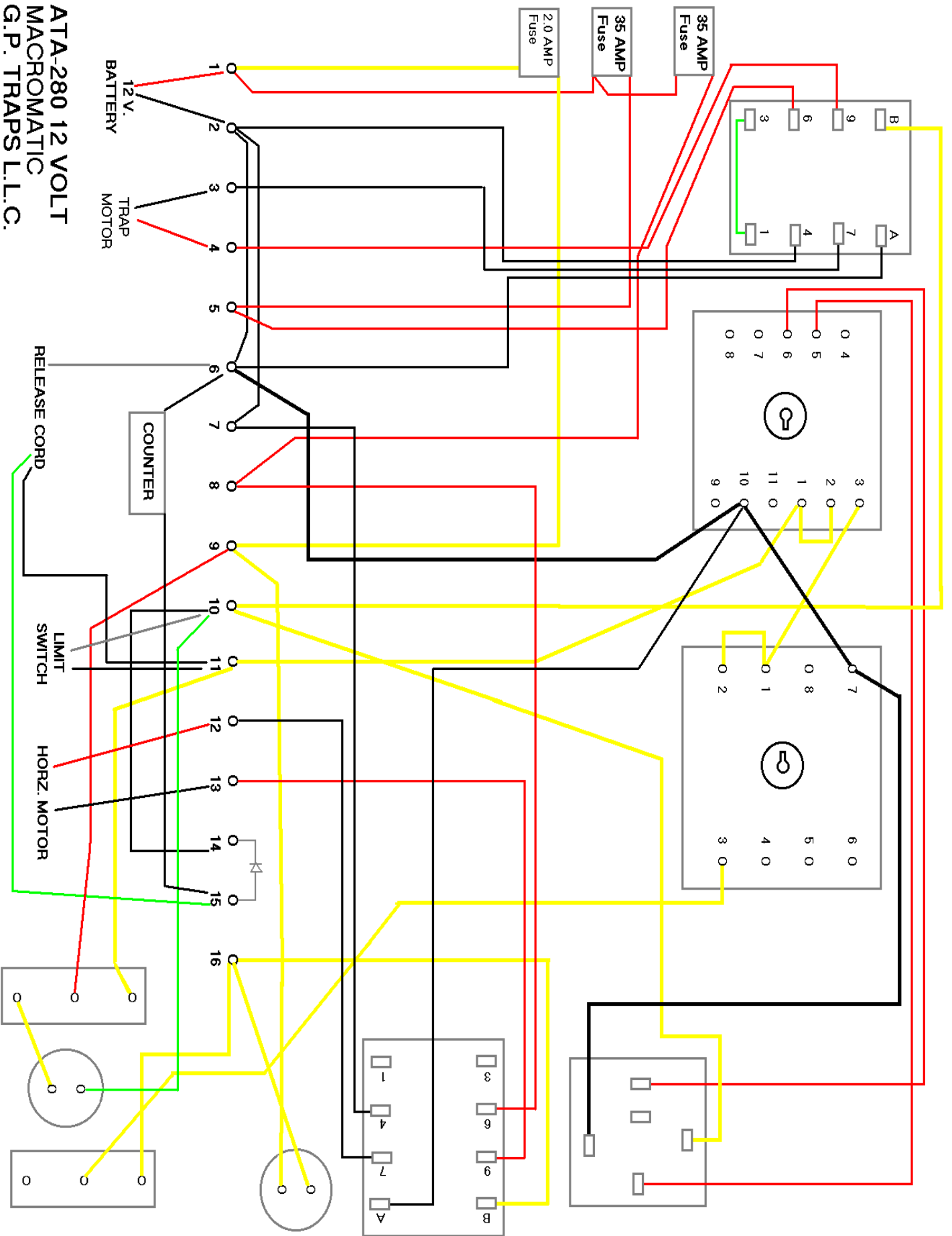
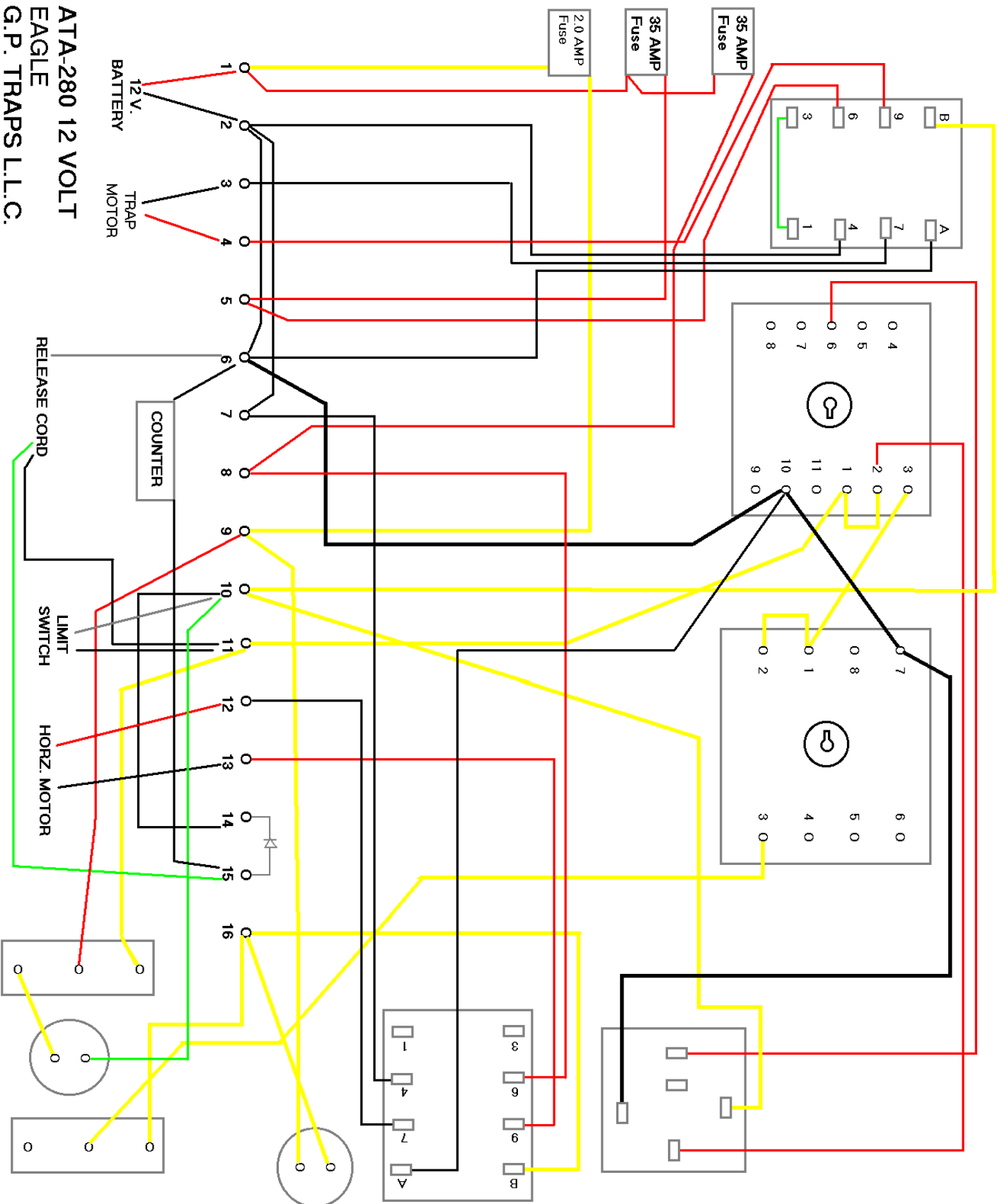
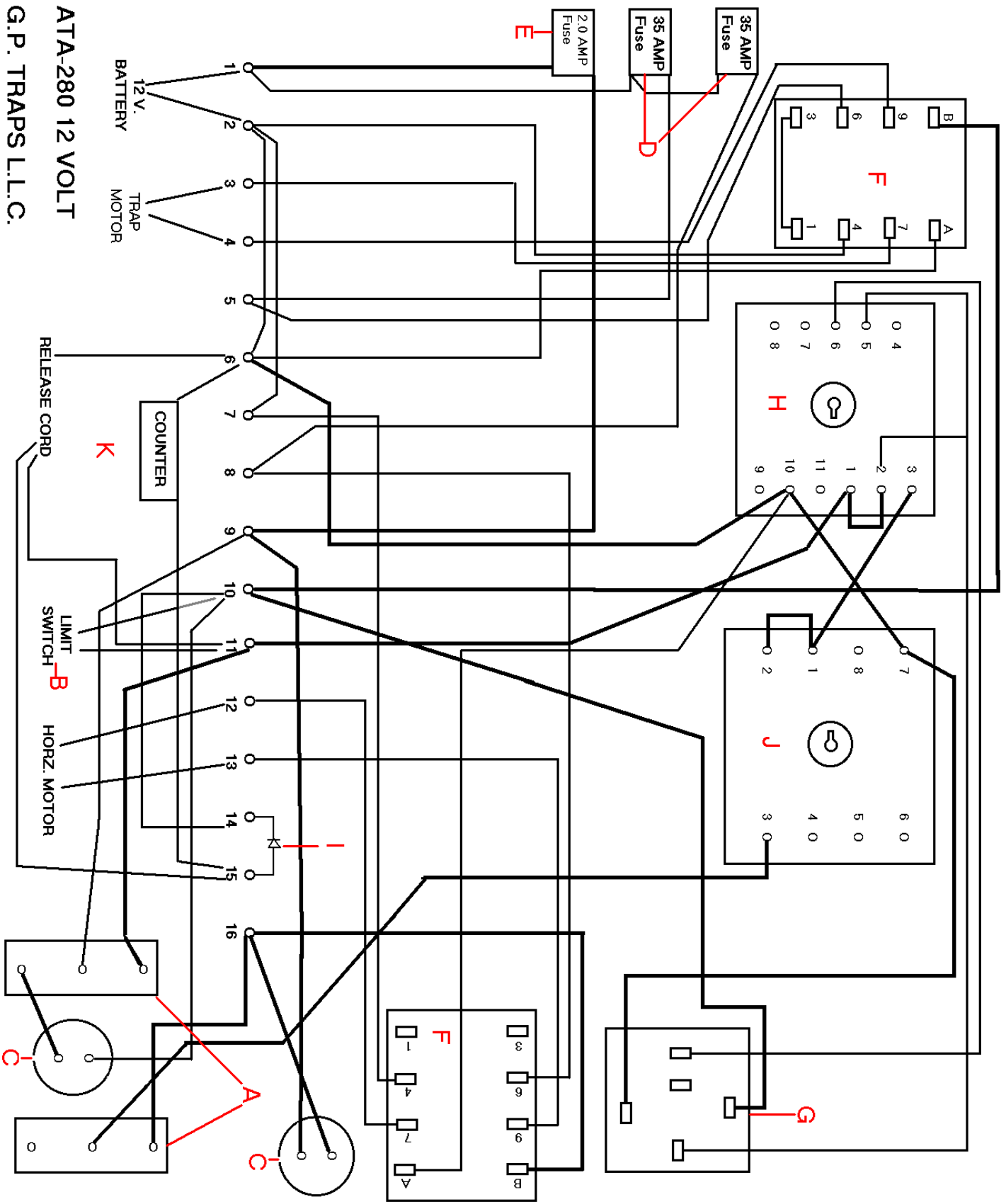


**ATA-280 12 VOLT  
MACROMATIC  
G.P. TRAPS L.L.C.**



**ATA-280 12 VOLT  
EAGLE  
G.P. TRAPS L.L.C.**





# G.P. TRAPS L.L.C.

## ATA-280 12 VOLT - ELECTRIC BOX PARTS LIST

A -	SWITCH - ON-ON	SSWSS206-BG
B -	LIMIT SWITCH -	C&HE49S71
	LIMIT SWITCH HEAD -	C&HE49AP7
C -	PUSH BUTTON SWITCH -	73475
D-	AGC PANEL MOUNT FUSE HOLDER	270-0364
	35 AMP AGC FUSE – TRAP MOTOR	79809
E-	5X20 PANEL MOUNT FUSE HOLDER	270-0362
	2 AMP 5X20 FUSE – RELEASE –	270-1052
F-	RELAY - MAGNECRAFT	W389CX-7
G-	CHANGE OVER RELAY	73980
H-	11-PIN RELAY BASE	886-1427, 60SR3P06
	ONE SHOT TIMER - MACROMATIC	SS-61526
	ONE SHOT TIMER – EAGLE	81Q2X107
I-	DIODE	858-4059, 276-1144
J-	8-PIN RELAY BASE	886-1606, 60SR2P06
	TIME DELAY RELAY - MACROMATIC	SS-63126
	TIME DELAY RELAY - EAGLE	86Q2X105
K-	COUNTER VEEDER-ROOT	779086-207

G.P. Traps L.L.C.

2711 S.E. 190th

Atlanta, KS. 67008

Phone: Office 620-394-2341 Fax 620-394-2350

E-Mail: [gptraps@sktc.net](mailto:gptraps@sktc.net)