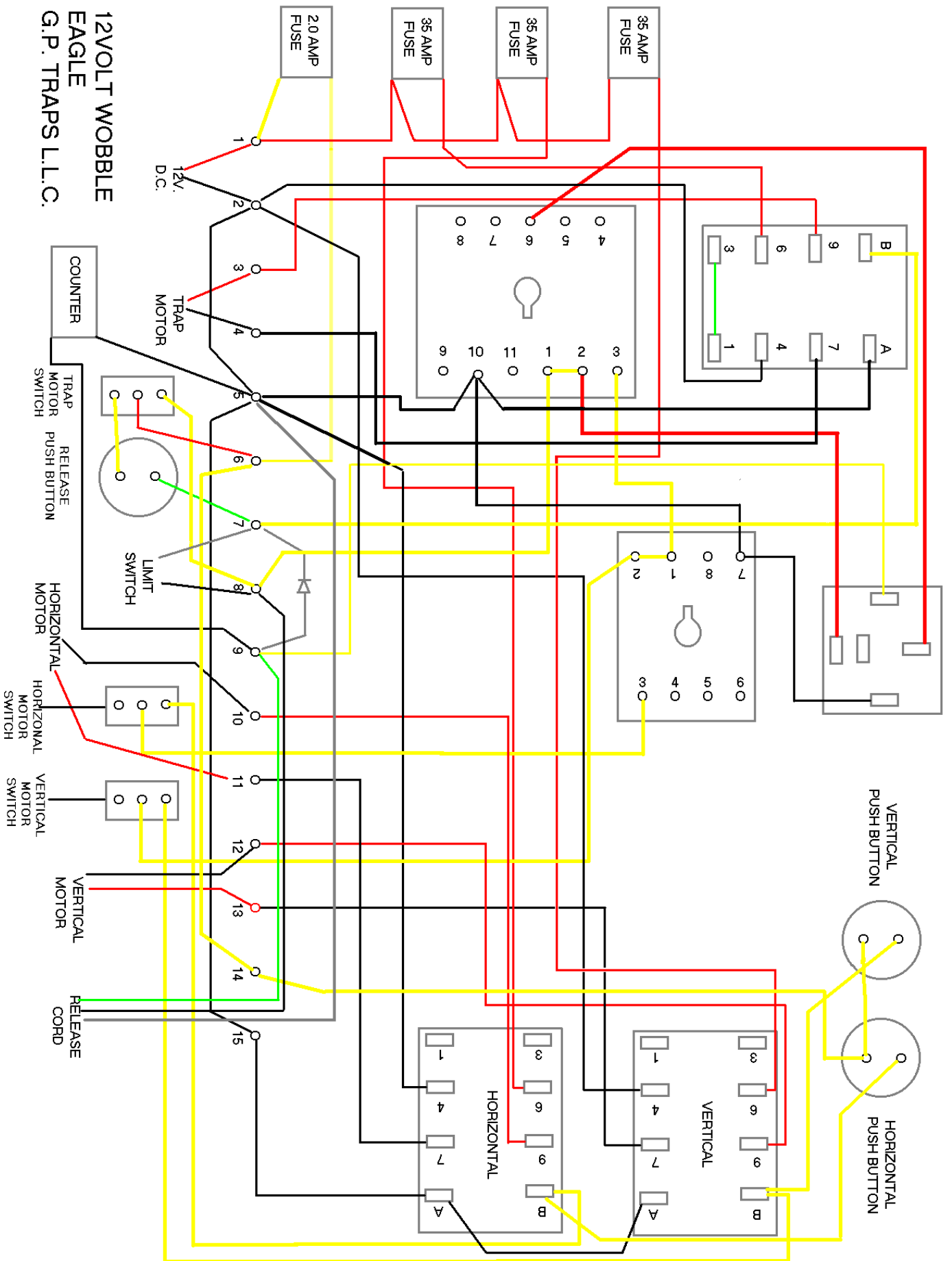
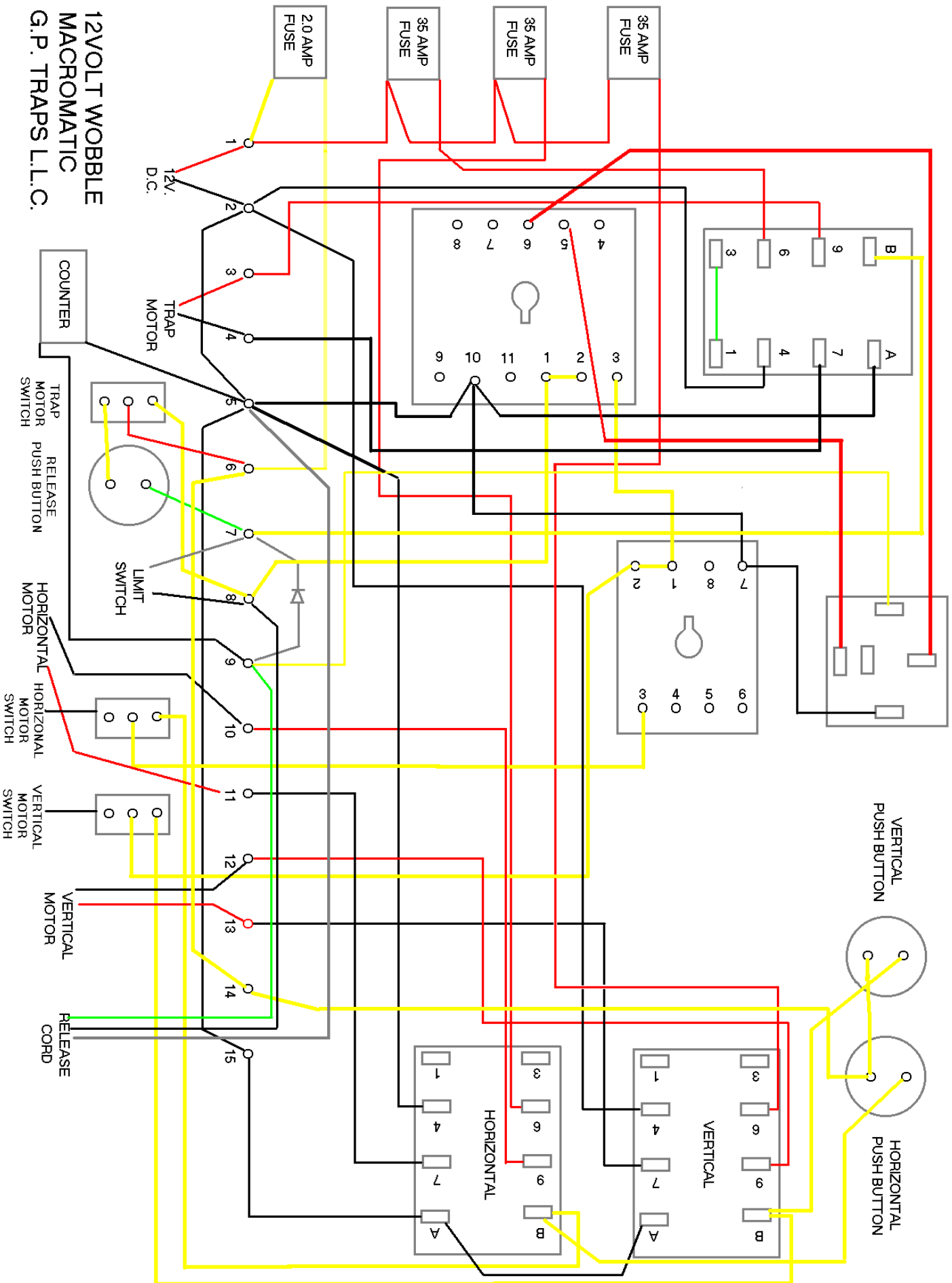


**12VOLT WOBBLE
EAGLE
G.P. TRAPS L.L.C.**





12VOLT WOBBLE
 MACROMATIC
 G.P. TRAPS L.L.C.

G.P. TRAPS L.L.C.

12 VOLT WOBBLE - ELECTRIC BOX PARTS LIST

A -	SWITCH - ON-ON	SSWSS206-BG
B -	LIMIT SWITCH - LIMIT SWITCH HEAD -	C&HE49S71 C&HE49AP7
C -	PUSH BUTTON SWITCH -	73475
D-	AGC PANEL MOUNT FUSE HOLDER 35 AMP AGC FUSE – TRAP MOTOR	270-0364 79809
E-	5X20 PANEL MOUNT FUSE HOLDER 2 AMP 5X20 FUSE – RELEASE –	270-0362 270-1052
F-	RELAY - MAGNECRAFT	W389CX-7
G-	CHANGE OVER RELAY	73980
H-	11-PIN RELAY BASE ONE SHOT TIMER - MACROMATIC ONE SHOT TIMER – EAGLE	886-1427, 60SR3P06 SS-61526 81Q2X107
I-	DIODE	858-4059, 276-1144
J-	8-PIN RELAY BASE TIME DELAY RELAY - MACROMATIC TIME DELAY RELAY - EAGLE	886-1606, 60SR2P06 SS-63126 86Q2X105
K-	COUNTER VEEDER-ROOT	779086-207

G.P. Traps L.L.C.

2711 S.E. 190th

Atlanta, KS. 67008

Phone: Office 316-394-2341 Fax 316-394-2350

E-Mail: gptraps@sktc.net