

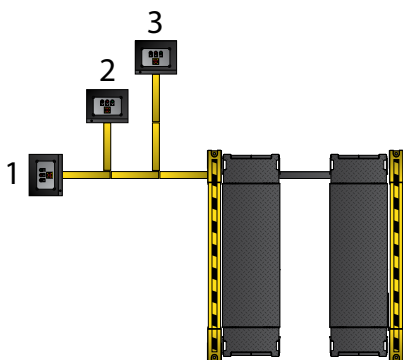
Challenger Lifts

INNOVATIVE LIFTING SOLUTIONS



Model#: DX77
Low Profile Double Scissor Lift
7,700 lb. capacity

DX77



Manufacture provided 60" (standard length) air and hydraulic hoses allow three ergonomic, recommended power console placement options.

Challenger Lifts new DX77 7,700 lb. capacity scissor lift was engineered with efficiency and productivity in mind. Our scissor lift can easily lift all makes and models (within rated capacity) with synchronized hydraulic system. Diamond plated flip-up approach ramps allows the platform to extend to accommodate longer wheelbase vehicles.

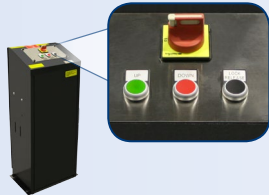
DX77 scissor lifts offer free access all around the vehicle, and between platforms, with a cross-member free design providing an uncluttered and hazardous free work area.

Our new DX77 scissor lift can be installed above ground or flush mount.

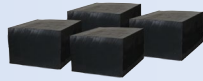
Features & Benefits:

- Double scissor lifting for taller rise allows more overall working clearance.
- Reinforced diamond plated ramps easily flip up to extend platform.
- Mechanical safety lock with air actuated release allows technician to work at an ergonomic height to increase productivity and minimize fatigue.
- Lift transition cam provides a more controlled and smoother rise and descent.
- The hydraulically synchronized system provides 7,700 lbs lifting capacity.
- Power unit console houses three simple button push controls
 - Raise
 - Lower
 - Lock Release

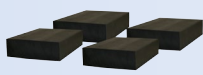
Independent control console provides convenience and safety.



Included Adapters:

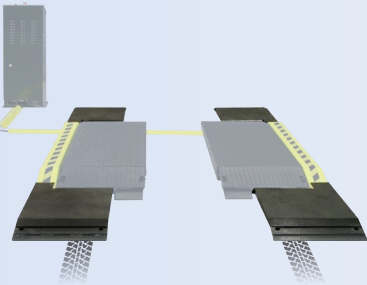


3" Rubber spotting blocks (set of 4)



1 1/2" Rubber spotting blocks (set of 4)

Optional Extended Ramps:



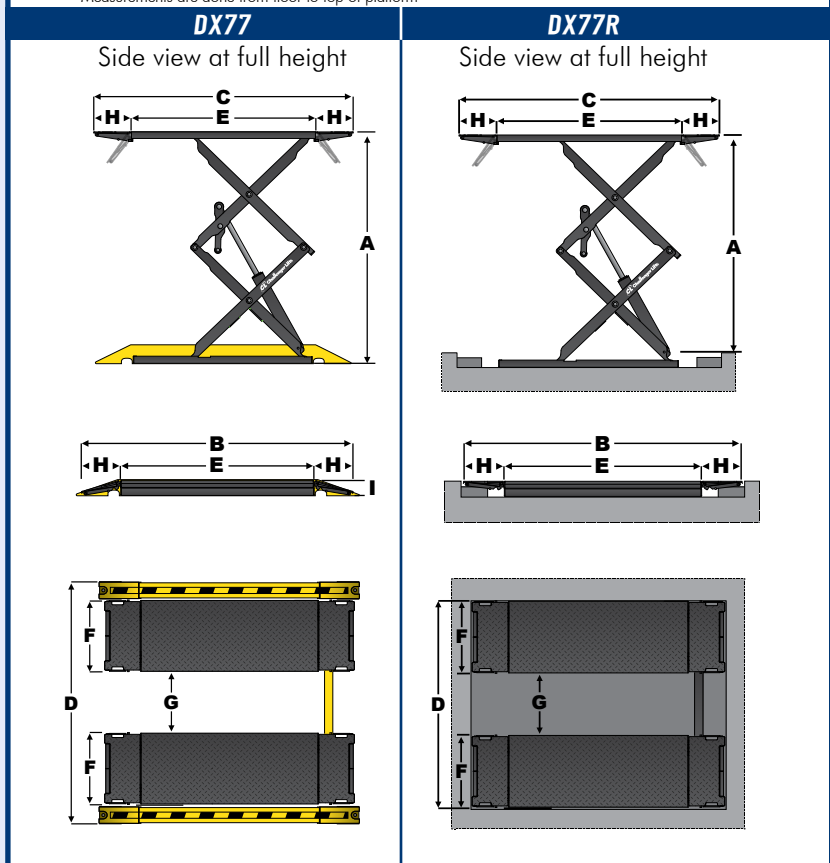
DX77-ERK Extended Ramp Kit for lifting low profile vehicles.

For more information, contact your Authorized Challenger Lifts Distributor:

Model	DX77	DX77R
Lifting Capacity*	7,700 lbs.	
Installation	Standard	Flush Mount
A Rise Height	74 1/2" (1890mm)	70" (1775mm)
B Overall Length (Lowered)	82 3/4" (2102mm)	
C Overall Length (Raised)	83 1/4" (2114mm)	
D Overall Width	79 3/4" (2026mm)	68 1/4" (1733mm)
E Platform Length	59" (1500mm)	
F Platform Width	24 1/4" (615mm)	
G Width Between Platforms	21" or 27" (533mm or 686mm)	
H Ramp Length	11 3/4" (300mm)	
I Lowered Height	4 1/2" (116mm)	-
Motor	2HP, Single Phase, 60Hz	
Voltage	208/220v	
Air Supply Required	90-120 psi	
Speed of Rise	43 Seconds	
Max Load Platform	3,850 lbs.	

*Lift capacity ratings are based on loads equally distributed on each platform.

1 Width Between platforms is adjustable between 21" and 27" with standard air lines and hoses. This adjustment will also effect overall width dimensions. Measurements are done from floor to top of platform



The Automotive Lift Institute (ALI) certifies that the DX77 described herein complies with the applicable provisions of the American National Standards ANSI/ALI ALCVT 2011 and is Third Party Validated by the ETL Testing Laboratory.

CHALLENGER LIFTS, INC.
200 Cabel Street
Louisville, Kentucky 40206

Phone Toll-Free: 800-648-5438
502-625-0700
Fax: 502-625-0711
E-mail: sales@challengerslifts.com

Challenger Lifts, Inc. reserves the right to make changes to specifications without notice and without making changes retroactive. Unloading, installation and oil not included.