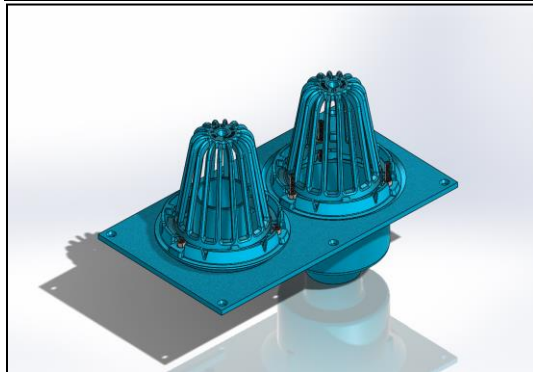


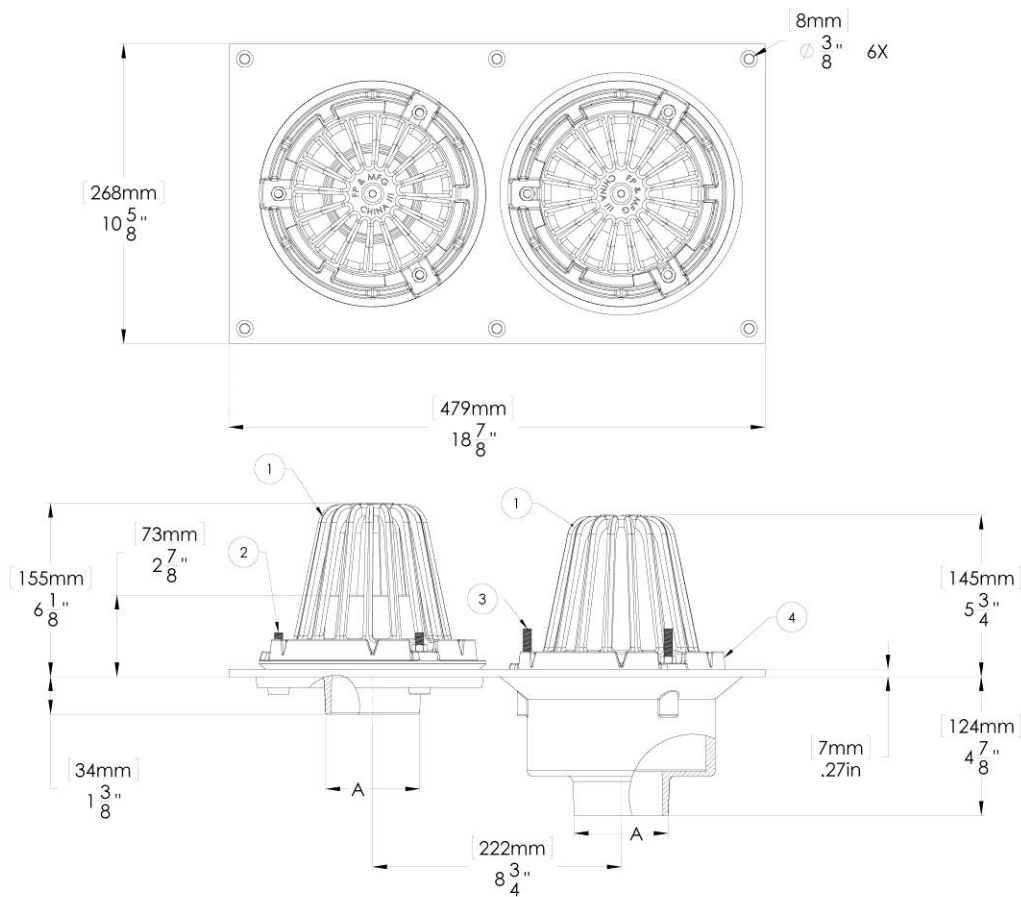
850 Series Combination Roof Drain and Overflow

TAG _____



Features:

- For use on flat roofs utilizing the overflow connection to prevent overflow conditions
- Cast Iron Main Body, clamp rings, and Dome Grates are coated for corrosion resistance
- Integral Roof sump receiver
- Stainless Steel Fasteners (Studs and Nuts)



SPECIFICATION SHEET**Agency Listing:**

- Compliant to ASME A112.6.4 standards listed in IAPMO File: 4192



Part Number	Description	Outlet Size A	Outlet Type
850-2N	2" Roof Drain and Overflow	2"	No-Hub
850-3N	3" Roof Drain and Overflow	3"	No-Hub
850-4N	4" Roof Drain and Overflow	4"	No-Hub

Installation:

- Recommended for use on flat roofs for a primary drain and secondary overflow drain. The unit consists of a cast iron main body, two gravel stop flash collar membrane clamping rings, two strainer domes, and stainless steel hardware. Main body, clamp rings, and strainer domes are all coated cast iron.
- Regularly furnished with two strainer domes.
- Connect to both overflow and drain with appropriate size drain pipe and no-hub coupler
- Install in accordance with the latest edition of the Uniform Plumbing Code.

Replacement Parts List

Item Number	Description	Part Number	QTY
1	Dome Grate	850-003	2
2	5/16-18 x 2" Threaded Studs & Nut	300-040	3
3	5/16-18 x 3" Threaded Studs & Nut	300-043	3
4	Raised Ring Clamp	850-006	1