

**ROOF DRAINS: 852N, 852SN, 853N, 853SN, 854N, AND 854SN** TAG \_\_\_\_\_




**Specification**

For use on flat built-up roof systems to facilitate water drainage

**Design Features**

- Cast Iron main Dome body and top flange are coated for corrosion resistance
- Removable twist-off strainer dome
- Leaf guard ring flashing
- Stainless steel fasteners

**Agency Listings**

- Compliant to ASME A112.6.4 standards listed in IAPMO File: 4192 
- Compliant to Uniform Plumbing Code (UPC®)
- Compliant to International Plumbing Code (IPC®)

**Installation**

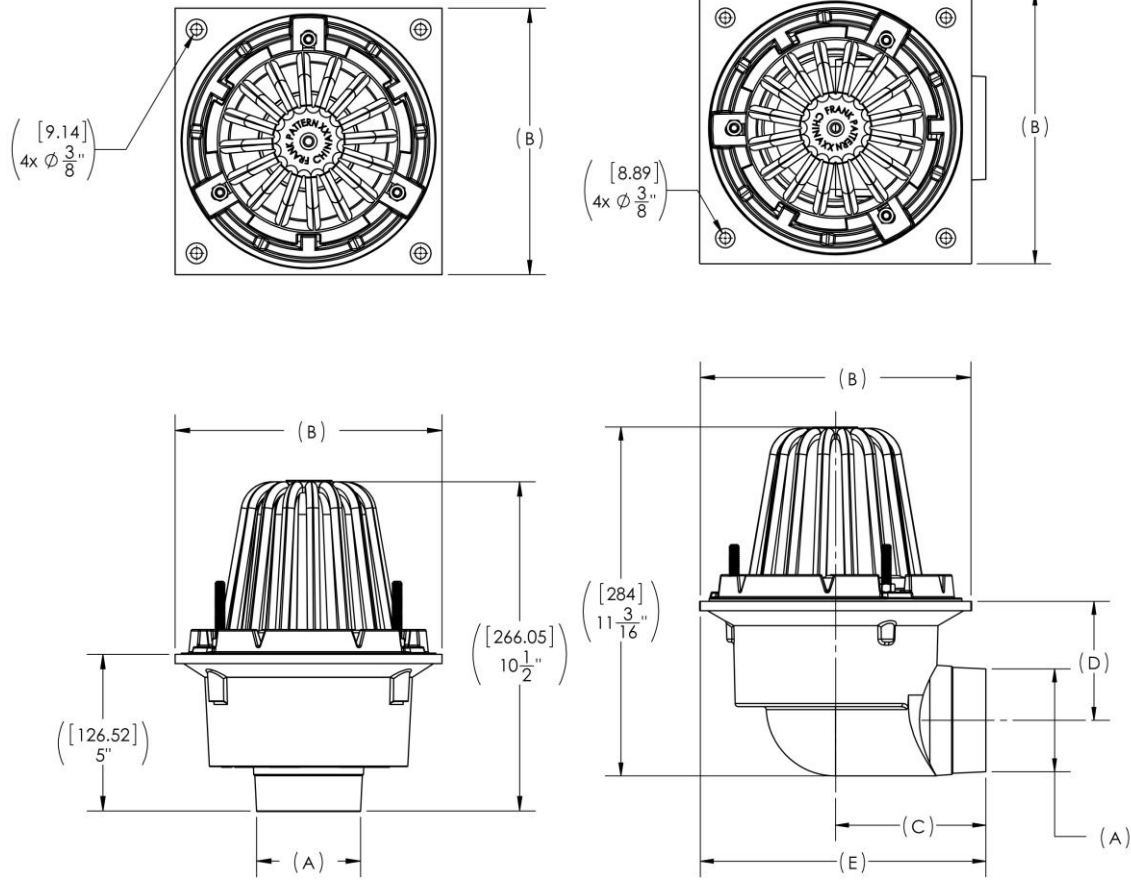
- Recommended for flat roof drainage where water can collect. Drain unit consists of cast iron main body, flashing ring leaf guard and strainer dome. Flashing ring secured to main body with stainless steel fasteners.
- Suitable for built-up hot mop roof systems and single ply roof systems.
- Remove strainer dome grate and flashing ring from body casting. Leave studs in place
- Cut circular hole in roof substrate and position drain body casting in place.
- Fasten with appropriate screws at each flange corner.
- Ensure drain top flange is clean and lay roofing ply sheets down into sump and over flange.
- Poke studs through roofing ply.
- Fasten flashing ring in place and attach dome grate.

Product Submittal	
Job Name:	
Date:	
Part Number	Quantity
Architect:	
Contractor:	

**ROOF DRAINS: 852N, 852SN, 853N, 853SN, 854N, AND 854SN**

TAG \_\_\_\_\_

**Product Drawings**



**Details**

PART NUMBER	DESCRIPTION	DRAIN CONNECTION	DRAIN PIPE SIZE	DIMENSIONS (INCHES)					
				A	B	C	D	E	F
852N	2" BOTTOM OUTLET	NO HUB	2 INCH	2-5/16	8-1/2	-	-	-	852N
852SN	2" SIDE OUTLET	NO HUB	2 INCH	2-5/16	8-3/4	4-13/16	4-3/8	9-1/8	852SN
853N	3" BOTTOM OUTLET	NO HUB	3 INCH	3-5/16	8-1/2	-	-	-	853N
853SN	3" SIDE OUTLET	NO HUB	3 INCH	3-5/16	8-3/4	4-13/16	3-13/16	9-1/8	853SN
854N	4" BOTTOM OUTLET	NO HUB	4 INCH	4-3/8	8-3/4	-	-	-	854N
854SN	4" SIDE OUTLET	NO HUB	4 INCH	4-3/8	8-3/4	4-13/16	3-5/16	9-1/8	854SN

**Replacement Parts**

PART NUMBER	DESCRIPTION	QTY
850-003	STRAINER DOME GRATE	1
850-006	FLASHING RING	1
300-043	STUDS, 5/16-18 X 3	3
300-004	NUTS, 5/16-18	3