



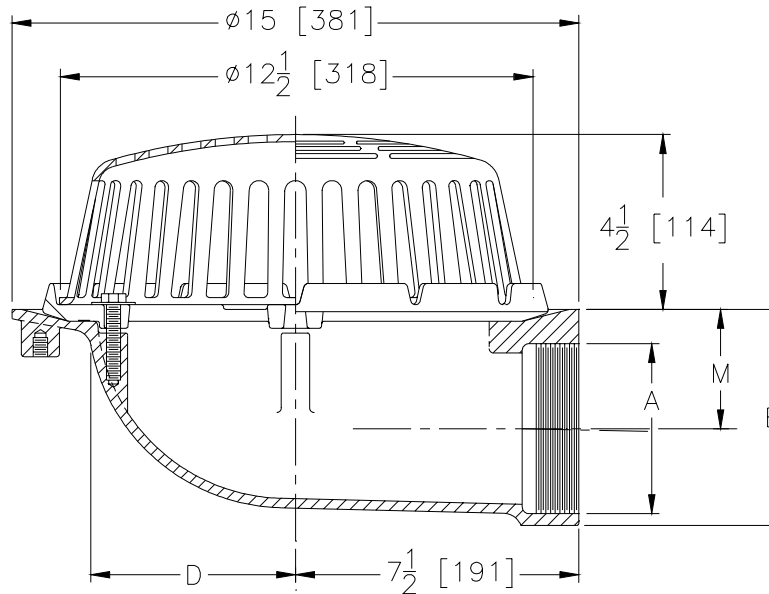
Z-100-90

SPECIFICATION SHEET

15 [381] DIAMETER LATERAL ROOF DRAIN

TAG _____

Dimensional Data (inches and [mm]) are Subject to Manufacturing Tolerances and Change Without Notice



Dimensions In Inches			Approx. Wt. Lbs. [kg]	Dome Open Area Sq. In [sq. cm]
A Pipe Size	D	M		
2 [50]	5 1/2 [140]	4 1/4 [108]	37 [17]	103 [665]
3 [75]		3 11/16 [94]	35 [16]	
4 [100]		3 3/16 [81]	36 [16]	
5 [125]	5 7/8 [149]	4 13/16 [122]	45 [20]	
6 [150]		4 1/4 [108]	45 [20]	

SUFFIXES

- ___ -AC Angular Underdeck Clamp
- ___ -AR Acid Resistant Epoxy Coated
- ___ -AW 3/4 [19] to 4 [102] Adjustable Water Level Regulator (Specify Height) (ZC only)
- ___ -BS Bronze Mesh Screen Over Dome
- ___ -C Underdeck Clamp
- ___ -E Static Extension 1 [25] thru 4 [102] (Specify Ht.)
- ___ -EA Adjustable Extension Assembly 1 3/4 [44] thru 3 1/2 [89]
- ___ -ES Static Extension with Secondary Clamp Collar at Body
- ___ -FG Flush Grate (Replaces Dome Strainer)
- ___ -G Galvanized Cast Iron
- ___ -GD Galvanized Cast Iron Dome (ZC only)
- ___ -R Roof Sump Receiver
- ___ -SC Secondary Clamping Collar
- ___ -SS Stainless Mesh Screen Over Dome
- ___ -VP Vandal Proof Secured Top
- ___ -W2 2" [51] Internal Water Dam
- ___ -W3 3" [76] Internal Water Dam
- ___ -W4 4" [102] Internal Water Dam
- ___ -XJ Vertical Expansion Joint (See Z-190)
- ___ -84 Stainless Steel Perforated Gravel Guard
- ___ -85 Stainless Steel Perforated Extension
- ___ -89 2 [51] High External Water Dam

OPTIONS (Check/specify appropriate options)

ENGINEERING SPECIFICATION: ZURN Z-100-90
 15 [381] Diameter lateral roof drain. Dura-Coated cast iron body with combination membrane flashing clamp/gravel guard, and low silhouette Poly-Dome strainer.

PREFIXES

- ___ Z- D.C.C.I. Body with Poly-Dome*
- ___ ZA- D.C.C.I. Body with 6 3/4 [171] High Aluminum Dome
- ___ ZC- D.C.C.I. Body with Cast Iron Dome
- ___ ZRB- D.C.C.I. Body with Plain Bronze Dome

PIPE SIZE

2, 3, 4 [50 thru 100]
 5, 6 [125, 150]

(Specify size/type) OUTLET

- ___ IP Threaded
- ___ IP Threaded

E BODY HT. DIM.

5 3/4 [146]
 7 7/8 [200]

REV. B	DATE: 11/11/99	C.N. NO. 83962
DWG. NO. 35053		PRODUCT NO. Z-100-90

*REGULARLY FURNISHED UNLESS OTHERWISE SPECIFIED