



# **INNOVATIVE**

## **LOGISTICS & CONSULTING**

# ***2019 Product Guide***



# U56-K32FSK Self Service/Info Kiosk

Experience quality, design, and style in our most popular Free Standing or wall mountable Self service/Information Kiosk. This reliable and state of the art KIOSK features a Intel Icore Processor, with 3 types of mounting ability. The U56 Series' sleek, curved lines and familiar esthetics are designed to draw self-service traffic at first glance.

The modernized interface invites an intuitive experience for today's connected consumer audience. The 32" LCD visually engages your audience with the user interface, encouraging engagement and accelerating ROI.

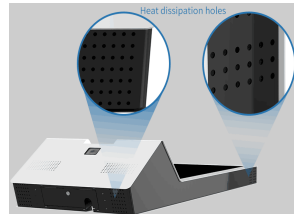
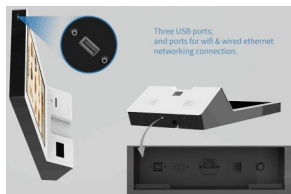
## U56 Series 32" Free Standing & Wall Mount Specifications:

### U56-K32FSK Self Service/Info Kiosk

- **TOUCH:** 10 point Projective Capacitive
- **CPU:** i3 6100U, clock speed 2.3ghz, TDP 13W
- **MEMORY:** 4 GB DDR3-1333 Upgradable to 8GB
- **HARD DRIVE:** 128GB SSD (Upgradable)
- **VIDEO GRAPHICS:** Intel HD Graphics Support
- **DISPLAY SCREEN SIZE:** 32"
- **BRIGHTNESS:** 400cd/m2
- **RESOLUTION:** 1920 x 1080
- **CONTRAST:** 1000.1
- **ASPECT RATIO:** 16:9
- **USB PORTS:** 3 x USB
- **LAN:** 1x RJ45 Gigabyte
- **SOUND:** 5W\*2
- **THERMAL PRINTER:** 80MM or 3 1/8"
- **SCANNER:** QR/Barcode Scanner
- **DC OUT:** 1 x 12VDC Jack for Customer Display or 2nd Display
- **WEIGHT WALL MOUNT:** 35kg or 77lbs
- **WEIGHT W/FLOOR STAND:** 92kg or 202lbs
- **POWER:** 110-240V/50-60HZ, AC power input
- **DIMENSIONS WALL MOUNT:** 21" x 8.5" x 47.5" (LxWxH)
- **DIMENSIONS FLOOR STAND:** 19" x 21.6" x 73" (LxWxH)
- **MOUNTS:** Wall or Floor stand
- **CERTIFICATIONS:** FCC Class A, CE, RoHs
- **LCD DISPLAY:** High Bright 16.7M Colors
- **OPERATING TEMP:** 0°C~40°C
- **OPERATING HUMIDITY:** 20% ~ 80% RH non-condensing
- **OPERATING SYSTEMS:** Optional
- **APPLICATION:** Indoor

### Options:

- Pin Pad
- Scan Pad
- Dual Mount Floor Stand
- NFC Reader
- Payment Terminal



All metal construction, safe and durable.



Quality leadership with high hardware configuration of industrial grade.



Three installation method: floor stand, wall mount and counter top, adapt to various scenes.

# U56-K19FSK Self Service/Info Kiosk

Experience quality, design, and style in our most popular Free Standing or wall mountable Self service/Information Kiosk. This reliable and state of the art KIOSK features a Intel Icore Processor, with 3 types of mounting ability. The

U56 Series' sleek, curved lines and familiar esthetics are designed to draw self-service traffic at first glance. The modernized interface invites an intuitive experience for today's connected consumer audience. The 19" LCD visually engages your audience with the user interface, encouraging engagement and accelerating ROI.



## U56 Series 19" Free Standing & Wall Mount Kiosk Specifications:

### U56-K19FSK Self Service/Info Kiosk

- **TOUCH:** 10 point Projective Capacitive
- **CPU:** i3 4160U, clock speed 3.6ghz, TDP 13W
- **MEMORY:** 4 GB DDR3-1333 Upgradable to 8GB
- **HARD DRIVE:** 128GB SSD (Upgradable)
- **VIDEO GRAPHICS:** Intel HD Graphics Support
- **DISPLAY SCREEN SIZE:** 19"
- **BRIGHTNESS:** 400cd/m2
- **RESOLUTION:** 1280 x 1024
- **CONTRAST:** 1000.1
- **ASPECT RATIO:** 16:9
- **USB PORTS:** 3 x USB
- **LAN:** 1x RJ45 Gigabyte
- **SOUND:** 5W\*2
- **THERMAL PRINTER:** 80MM or 3 1/8"
- **DC OUT:** 1 x 12VDC Jack for Customer Display or 2nd Display
- **WEIGHT WALL MOUNT:** 31kg or 69lbs
- **WEIGHT DESKTOP:** 37kg or 82lbs
- **WEIGHT W/FLOOR STAND:** 60kg or 133lbs
- **POWER:** 110-240V/50-60HZ, AC power input
- **DIMENSIONS WALL MOUNT:** 19.25" x 13" x 28" (LxWxH)
- **DIMENSIONS FLOOR STD:** 19.25" x 14.2" x 54.50" (LxWxH)
- **DIMENSIONS DESKTOP:** 19.25" x 14.2" x 28" (LxWxH)
- **MOUNTS:** Wall , Floor stand, Desktop
- **CERTIFICATIONS:** FCC Class A, CE, RoHs
- **LCD DISPLAY:** High Bright 16.7M Colors
- **OPERATING TEMP:** 0°C~40°C
- **OPERATING HUMIDITY:** 20% ~ 80% RH non-condensing
- **OPERATING SYSTEMS:** Optional
- **APPLICATION:** Indoor

### Options:

- **Pin Pad (Coming Soon)**
- **Scan Pad (Coming Soon)**
- **Payment Terminal (Coming Soon)**

Three installation method



All metal construction, safe and durable.



Quality leadership with high hardware configuration of industrial grade.



Three installation method: floor stand, wall mount and counter top, adapt to various scenes.

# INV-MH5100-PLUS

› 10.1" Integrated Pad with Intel® Atom™ Z3735F Quad Core™ CPU (1.33GHz up to 1.83GHz) / 2GB DDR3L / eMMC 32GB or 64GB / Windows 10 IoT Enterprise LTSB 2016 OS (32 bits)



## Features



- Stylish ID design
- High performance and low power consumption design with Intel® Atom™ Z3735F Quad Core™ CPU (1.33GHz up to 1.83GHz) / 2G DDR3L / eMMC 32GB or 64GB
- High capacity (8 hours) and removable battery design
- 10.1" LCD panel with P-CAP touch 1280x800 resolution / 30,000 hours lifetime
- Multi function applications (supports 2D barcode scanner / rear camera 5M / Wi-Fi / Bluetooth / NFC) / MSR / Smart Card Reader with EMV level 1 & 2
- Light weight design (838 g)
- Drop test 1.2m & IP54 (front panel) design
- Windows 10 IoT Enterprise LTSB 2016 OS (32 bits)

## Tablet Specifications



CPU Support	Intel® Atom™ Z3735F Quad Core™
CPU Frequency	1.33GHz up to 1.83GHz
Display	10.1" 1280 x 800
O.S. Support	Windows 10 IoT Enterprise LTSB 2016 OS (32 bits)
Memory	DDR3L 2GB
Flash	32GB / 64GB eMMC
Speaker	1W
Power Requirement	DC 12V
G-Sensor	Yes
Dimensions (WxHxD)	267.84 x 188.5 x 25.2 mm
Weight	838 g (Pad only)
Certifications	FCC
Capacity	3.7V, 7900mAh
Battery Operation	8 hours (refer to JEITA battery run time measurement)
WiFi + BT	802.11 b/g/n, Bluetooth 4.0
Barcode Scanner	2D barcode scanner (optional)
Camera	Rear camera 5M pixels (optional)
NFC	NXP NPC300 (optional)
MSR	SecureHead MSR (optional)
Smart Card Reader	Smart card reader (optional) (meet ISO 7816 & EMV Level 1 & 2 certification)

## Tablet I/O Ports

SD	Micro SD up to 32GB
USB	Standard USB type A x 1 for external USB device
Audio Jack	ϕ3.5 mm
Cradle Connectors	POGO pin for USB x1 / power x1
DC Jack	DC 12V

\*All information contained in this document is subject to change without prior notice. Please log on [www.protech.com.tw](http://www.protech.com.tw) to acquire latest information.

## Lite Cradle Specifications

Cradle Connector	POGO pins (1 x 10 pins)
Kensington Security Lock Slot	Lock slot x 1
Lock Switch	Lock switch x 1 used to fix Integrated Pad and Lite Cradle
AC Power Adapter	12V/5A/60W AC power adapter
Weight	858 g
Dimensions (W x H x D)	220 x 131.65 x 217.23 mm

## Lite Cradle I/O Ports

DC In Jack	DC 12V IN (pin's $\phi = 2.5$ mm) x 1
USB Ports	USB: Dual standard type A USB 2.0 ports
Serial Ports	COM: RJ-45 with 12V/5V/RI x 1; COM: D-Sub 9 with 12V/5V/RI x 1
LAN Port / Cash Drawer Port	LAN: 10/100 Mbps, RJ-45 x 1 / DRW: RJ-11 with 12V/1A x 1

## Battery Charger Specifications

Cradle Connector	POGO pins (1 x 10 pins) x 2
DC In Jack	DC 12V IN (pin's $\phi = 2.5$ mm) x 2
AC Power Adapter	12V/3.3A/40W AC power adapter
Weight	292 g
Dimensions (W x H x D)	170 x 65 x 84 mm

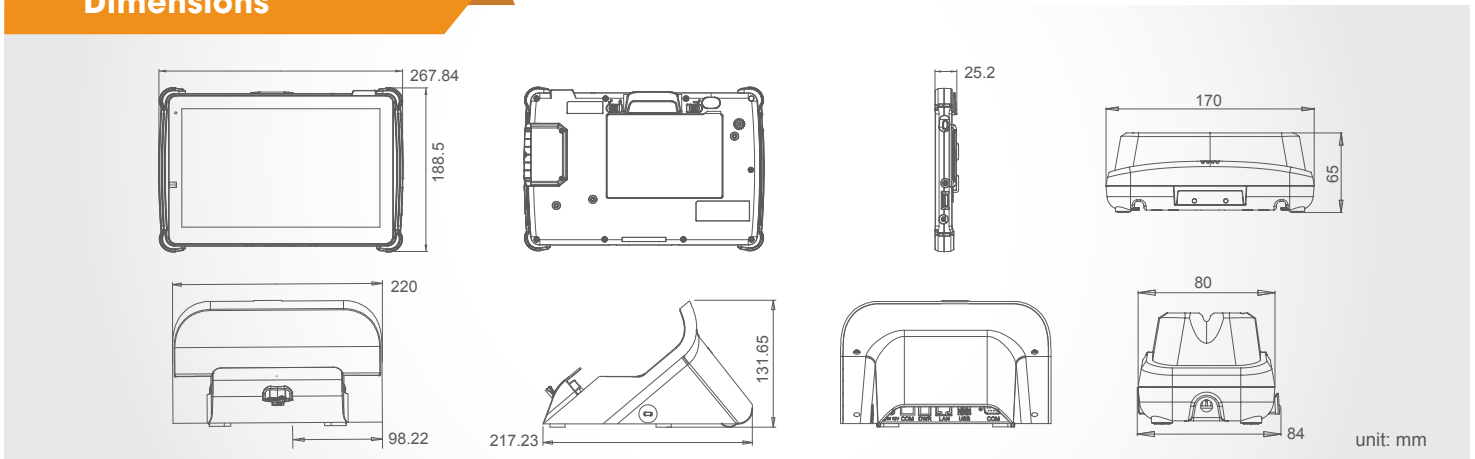
## Environment

Operation Temp.	0°~40°C (32°~104°F)
Storage Temp.	-20°~60°C (-4°~140°F)
Humidity	Operation humidity 10~90% / Storage humidity 10~95%

## Highlights



## Dimensions



# INV-MH5102-PLUS

› 10.1" Integrated Pad with Intel® Atom™ x5-Z8550 Quad Core™ CPU (1.44GHz up to 2.4GHz) / LPDDR3 2GB or 4GB / eMMC 32GB or 64GB / Windows 10 IoT Enterprise LTSB 2016 OS (64 bits)

NEW



## Features



- Stylish ID design
- High performance and low power consumption design with Intel® Atom™ x5-Z8550 Quad Core™ CPU (1.44GHz up to 2.4GHz) / LPDDR3 2GB or 4GB / eMMC 32GB or 64GB
- High capacity (8 hours) and removable battery design
- 10.1" LCD panel with P-Cap touch 1920 x 1200 resolution / 30,000 hours lifetime
- Multi-function applications (supports 2D barcode scanner / rear or front camera 5M / Wi-Fi / GPS / LTE / Bluetooth® / NFC) / MSR / smart card reader with EMV level 1 & 2 / fingerprint reader
- Light weight design
- Drop test 1.2m & IP54 (front panel) design
- Windows 10 IoT Enterprise LTSB 2016 OS (64 bits)

## Tablet Specifications



CPU Support	Intel® Atom™ x5-Z8550 Quad Core™
CPU Frequency	1.44GHz up to 2.4GHz
Display	10.1" 1920 x 1200
O.S. Support	Windows 10 IoT Enterprise LTSB 2016 OS (64 bits)
Memory	LPDDR3 2GB / 4GB
Flash	eMMC 32GB / 64GB
Speaker	1W
Power Requirement	DC 12V / 24V
G-Sensor	Yes
Ambient Light Sensor	Yes
Vibrator	Yes
Dimensions (WxHxD)	267.84 x 188.5 x 25.2 mm
Weight	838 g (Pad only)
Certifications	CE / FCC / TELEC
Capacity	3.7V, 7900mAh
Battery Operation	Up to 8 hours (refer to JEITA battery run time measurement)
WiFi + BT	802.11 ac/a/b/g/n 2T2R for dual band, Bluetooth® 4.1 + EDR
WWAN	Support LTE / UMTS / GSM
GPS	GNSS: GPS / GLONASS / BeiDou / Galileo / QZSS (Optional)
Barcode Scanner	2D barcode scanner (optional)
Camera	Front camera 5M pixels (optional) Rear camera 5M pixels (optional)
NFC	NXP NPC300 (optional)
MSR	SecureHead MSR (optional)
Smart Card Reader	Smart card reader (optional) (meet ISO 7816 & EMV Level 1 & 2 certification)

## Tablet I/O Ports

SD	Micro SD up to 128GB
USB	Standard USB 3.0 type A x 1 for external USB device
Audio Jack	ϕ3.5 mm, support earphone, microphone
Cradle Connectors	POGO pin for USB x 1 / power x 1
DC Jack	DC 12V / 24V

\*All information contained in this document is subject to change without prior notice. Please log on [www.protech.com.tw](http://www.protech.com.tw) to acquire latest information.

## Lite Cradle Specifications

Cradle Connector	POGO pins (1 x 10 pins)
Kensington Security Lock Slot	Lock slot x 1
Lock Switch	Lock switch x 1 used to fix Integrated Pad and Lite Cradle
AC Power Adapter	12V/5A/60W AC power adapter
Weight	858 g
Dimensions (W x H x D)	220 x 131.65 x 217.23 mm

## Lite Cradle I/O Ports

DC In Jack	DC 12V IN (pin's $\phi=2.5$ mm) x 1
USB Ports	USB: Dual standard type A USB 2.0 ports
Serial Ports	COM: RJ-45 with 12V/5V/RI x 1; COM: D-Sub 9 with 12V/5V/RI x 1
LAN Port / Cash Drawer Port	LAN: 10/100 Mbps, RJ-45 x 1 / DRW: RJ-11 with 12V/1A x 1

## Battery Charger Specifications

Cradle Connector	POGO pins (1 x 10 pins) x 2
DC In Jack	DC 12V IN (pin's $\phi=2.5$ mm) x 2
AC Power Adapter	12V/3.3A/40W AC power adapter
Weight	292 g
Dimensions (W x H x D)	170 x 65 x 84 mm

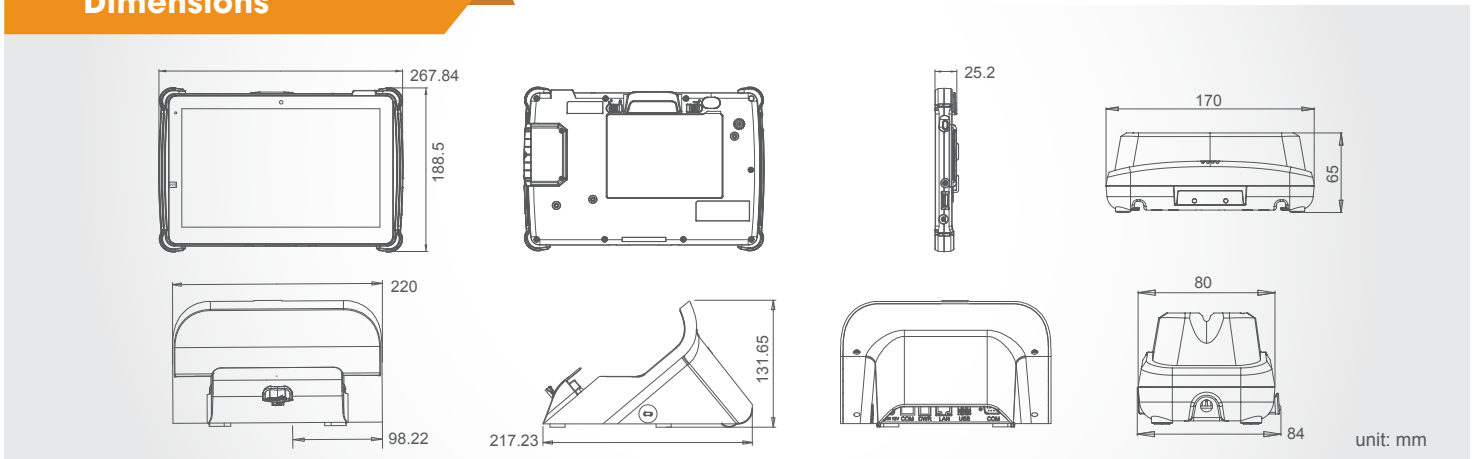
## Environment

Operation Temp.	0°~40°C (32°~104°F)
Storage Temp.	-20°~60°C (-4°~140°F)
Humidity	Operation humidity 10~90% ; Storage humidity 10~95%

## Highlights



## Dimensions



# INV-MH5752-PLUS

› 7" Integrated Pad with Intel® Atom™ x5-Z8550 Quad Core™ CPU (1.44GHz up to 2.4GHz) / LPDDR3 2GB or 4GB / eMMC 32GB or 64GB / Windows 10 IoT Enterprise LTSB 2016 OS (64 bits)

NEW



## Features



- Stylish ID and compact design
- High performance and low power consumption design with Intel® Atom™ x5-Z8550 Quad Core™ CPU (1.44GHz up to 2.4GHz) / LPDDR3 2GB or 4GB / eMMC 32GB or 64GB
- High capacity (7400mAh removable battery design)
- 7" 800 x 1280 IPS LED Panel with anti-fingerprint P-Cap Touch
- OCA Bonding of touch+panel for sunlight readability
- Supports Multi-function applications (optional)
  - NFC, 2D Barcode Scanner, MSR\_Smart card reader
  - WLAN, BT, 4G, 8M Camera (rear)
- Windows 10 IoT Enterprise LTSB 2016 OS (64 bits)

## Tablet Specifications



CPU Support	Intel® Atom™ x5-Z8550 Quad Core™
CPU Frequency	1.44GHz up to 2.4GHz
Display	7" IPS display with 800 x 1280 resolution w/Anti-fingerprint Multi-Touch P-Cap
O.S. Support	Windows 10 IoT Enterprise LTSB 2016 OS (64 bits)
Memory	LPDDR3 2GB / 4GB
Flash	eMMC 32GB / 64GB
Speaker	1W
Power Requirement	DC 12V / 24V
G-Sensor	Yes
Ambient Light Sensor	Yes
Vibrator	Yes
Dimensions (WxHxD)	267.84 x 188.5 x 25.2 mm
Weight	838 g (Pad only)
Certifications	CE / FCC / TELEC
Capacity	3.7V, 7900mAh
Battery Operation	Up to 8 hours (refer to JEITA battery run time measurement)
WiFi + BT	802.11 ac/a/b/g/n 2T2R for dual band, Bluetooth® 4.1 + EDR
WWAN	Support LTE / UMTS / GSM
GPS	GNSS: GPS / GLONASS / BeiDou / Galileo / QZSS (Optional)
Barcode Scanner	2D barcode scanner (optional)
Camera	Front camera 5M pixels (optional) Rear camera 5M pixels (optional)
NFC	NXP NPC300 (optional)
MSR	SecureHead MSR (optional)
Smart Card Reader	Smart card reader (optional) (meet ISO 7816 & EMV Level 1 & 2 certification)

## Tablet I/O Ports

SD	Micro SD up to 128GB
USB	USB Type C for charging and data transmission
Cradle Connectors	POGO pin for USB x 1 / power x 1
SIM	4G SIM card

\*All information contained in this document is subject to change without prior notice. Please log on [www.protech.com.tw](http://www.protech.com.tw) to acquire latest information.



## Applications

- Automation
- Retail
- Transportation
- Food Service
- Banking
- Information
- Medical

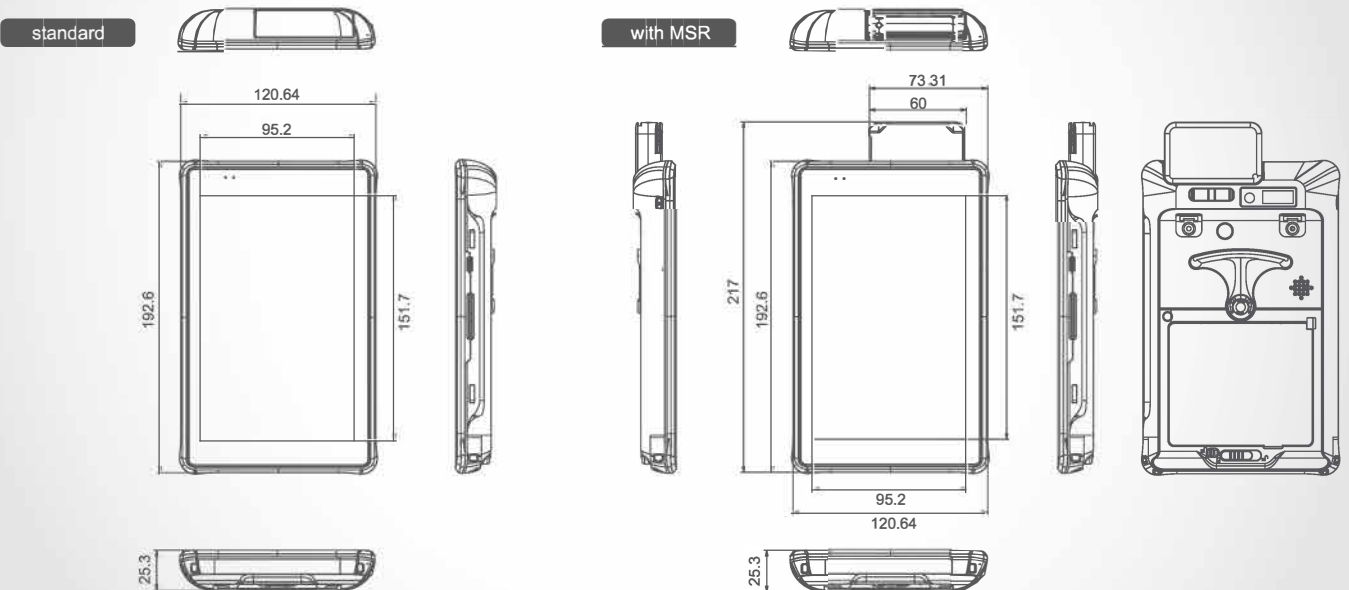
## Environment

Operation Temp.	0°~40°C (32°~104°F) 0°~35°C (32°~95°F) when charging
Storage Temp.	-20°~60°C (-4°~140°F)
Humidity	Operation humidity 10~90% Storage humidity 10~95%

## Highlights



## Dimensions



unit: mm

# U37-MP 10.1" Mobile POS Station

The Innovative U37-MP10.1 Mobile POS Station is a Perfect Blend of Mobile and Traditional POS, with its Flexibility to use in a stationary fashion or disconnect from the base and move with relative ease, this truly mobile POS terminal fits most applications. Modular POS Peripherals (MSR, 2D barcode scanner, Fingerprint and NFC reader) add to this truly unique Mobile POS Station

## U37 MP Series 10.1 Mobile POS Station

### Specifications

#### U37-MP1310V3

- **TOUCH:** 10 point Projective Capacitive
- **DISPLAY:** 10.1-inch IPS, 1280 x 800
- **CPU:** Intel Cherry Trail Z8350 1.84GHz
- **MEMORY:** 4 GB DDR3L-1600mhz
- **HARD DRIVE:** 32GB eMMC (Upgradable)
- **MICRO SD:** Up to 256GB
- **USB PORTS:** 1 x USB 3.0 1 x Pogo Pin
- **CAMERA:** 5M Raer Camera (AF) , 2M Front Camera (FF)
- **WIFI:** Internal Antenna 802.11 B/G/N+ac 50m with Bluetooth
- **SENSOR:** 1G-Sensor, Light Sensor, Gyroscope
- **PERIPHERAL OPTIONS:** MSR, 2D Barcode Scanner, Finger Print Reader
- **DOCKING STATION:** 2x USB2.0 (Type A), 1 x COM (DB9), 1 x RJ45, 1 x DC Jack, 1 Pogo Pin
- **WEIGHT TABLET:** .95kg (2lbs)
- **WEIGHT CRADEL:** 1.23kg (2.7lbs)
- **BATTERY:** 17000mAh (1S2P)
- **POWER ADAPTOR:** Input 100V ~ 240V/50 ~ 60Hz Input; Output : 5V/3A 15W
- **DIMENSIONS TABLET:** 310 (W) x 188 (H) x 18 (D) mm
- **DIMENSIONS CHARGING CRADEL:** 220 (W) x 108 (H) x 161 (D) mm
- **CERTIFICATIONS:** FCC Class A, CE, RoHs
- **OPERATING TEMP:** 0°C~40°C
- **OPERATING HUMIDITY:** 20% ~ 80% RH non-condensing
- **OPERATING SYSTEMS:** Win10 IoT Ent LTSB OS

#### Options:

- 3 Track Programmable Magnetic Card Reader
- 2D Barcode Scanner
- Finger Print Reader
- NFC Reader



2D Scanner Button Camera MSR



2D Barcode Scanner Built in Handle



Locking Cradle & Charging Station



Additional Ports



# U37-J1900 Series “AIO” Terminal

Experience quality, design, and style in our most popular all-in-one “AIO” terminal solution. This reliable and state of the art AIO Terminal features a Bay Trail Celeron J1900 (2.0 GHz) processor, true fanless cooling system, optional rear mounted 2nd display (power built in), and a compact base design which is ideal for small workplace operations. Available in 5 wire resistive touch technology or Projective capacitive multi -touch technology



## U37-J1900R & U37-J1900 AIO” Terminals

### Specifications

#### U37-J1900R Series (15” AIO)

- **TOUCH:** 5-Wire Resistive Type or Projective Capacitive
- **CPU:** Intel® Bay Trail-D Platform, Celeron® Processor J1900 (2.0GHz, 2M Cache)
- **MEMORY:** 4 GB DDR3-1333
- **HARD DRIVE:** 120GB SSD (Upgradable)
- **VIDEO GRAPHICS:** Intel HD Graphics Support
- **BRIGHTNESS:** 300 Nits
- **RESOLUTION:** 1024 X 768 Pixel
- **CONTRAST:** 1000:1
- **USB PORTS:** 5 x USB 2.0 (External, 4 x bottom/ 1 x side)
- **VIDEO PORTS:** 1 x DB-15, Female
- **LAN:** 1x RJ45 Gigabyte
- **COM PORTS:** 3 x COM DB9, with power output, +5VDC/ +12VDC, selectable by Jumper
- **PARALLEL:** 1 x DB25 Parallel Port
- **SOUND:** 1 x Internal Speaker
- **CASH DRAWER:** 1 x RJ-11, +12/+24 VDC
- **DC OUT:** 1 x 12VDC Jack for Customer Display or 2nd Display
- **WEIGHT:** 30 lbs Gw Includes Packaging
- **POWER:** External Ac 12V 10amp, universal auto sensing, 36W
- **DIMENSIONS** 14” x 12.00” x 8” (LxWxH)
- **WEIGHT:** 12lbs
- **MOUNTS:** MSR, Rear Display
- **CERTIFICATIONS:** FCC Class A, CE, RoHs
- **OPERATING SYSTEMS:** Optional
- **POWER:** +12VDC 60W, 4-pin Connector with Lock (External Adaptor: 100~240 VAC, 50/60HZ)
- **LCD DISPLAY:** High Bright 15 1024 x 768 16.7M Colors
- **OPERATING TEMP:** 0°C~40°C
- **OPERATING HUMIDITY:** 20% ~ 80% RH non-condensing
- **OPERATING SYSTEMS:** Optional

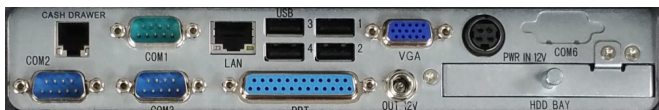
Integrated MSR



Ports and Cable Management



Cable Management



Cash Drawers

Printers

Rear

# CZ Series J1900 15", 17", & 22" "AIO"

Experience quality, design, and style in our most popular all-in-one "AIO" terminal solution. This reliable and state of the art AIO Terminal features a Bay Trail Celeron J1900 (2.0 GHz) processor, true fanless cooling system, optional rear mounted 2nd display (power built in), and a compact base design which is ideal for small workplace operations. Available in 5 wire resistive touch technology or Projective capacitive multi-touch technology

## CZ Series 15", 17" & 22" Quad Core J1900 AIO Specifications

### U57-CZ-15J1900, CZ-17J1900, & CZ-22J1900 (AIO)

- **TOUCH:** 10 point Projective Capacitive
- **CPU:** Intel® Bay Trail-D Platform, Celeron® Processor 1900 (2.0 GHz, 2M Cache)
- **MEMORY:** 8 GB DDR3-1333
- **HARD DRIVE:** 256GB SSD (Upgradable)
- **VIDEO GRAPHICS:** Intel HD Graphics Support
- **BRIGHTNESS:** 400cd/m2
- **RESOLUTION:** 1024 x 768 Pixel (15"), 1280 x 1024 (17"), 1920 x 1080 (21.5")
- **CONTRAST:** 500:1(15"), 800:1(17"), 1000:1 (21.5")
- **USB PORTS:** 6 x USB 2.0 (External, 4 x bottom/ 1 x side)
- **VIDEO PORTS:** 1 x DB-15, Female (HDMI Option)
- **LAN:** 1x RJ45 Gigabyte
- **COM PORTS:** 2 x COM DB9, with power output, +5VDC/ +12VDC, selectable by Jumper
- **PARALLEL:** 1 x DB25 Parallel Port (Special Order)
- **SOUND:** 1 x Internal Speaker Microphone & earphone
- **WIFI:** Internal Antenna 802.11 B/G/N 50m with Bluetooth
- **DC OUT:** 1 x 12VDC Jack for Customer Display or 2nd Display
- **WEIGHT:** 15"(4.4kgs) 10lbs , 17"(4.8kgs) 11lbs (No Base)
- **POWER:** 110-240V/50-60HZ, AC power input
- **DIMENSIONS:** 15" 14.25" x 2" x 11.5" (LxDxH) excluding base
- **DIMENSIONS:** 17" 15.5" x 2" x 13" (LxDxH) excluding base
- **DIMENSIONS:** 22" 21.75" x 2" x 12.75" (LxDxH) excluding base
- **MOUNTS:** 100mm & 75mm blind insert vesa mount
- **CERTIFICATIONS:** FCC Class A, CE, RoHs
- **POWER:** +DC 12V/10A Output
- **LCD DISPLAY:** High Bright 16.7M Colors
- **OPERATING TEMP:** 0°C~40°C
- **OPERATING HUMIDITY:** 20% ~ 80% RH non-condensing
- **OPERATING SYSTEMS:** Optional

### Options:

- 3 Track Programmable Magnetic Card Reader
- 2 x 20 Vacuum Florescent Rear Mounted Display
- 10", 12", 15" rear or Pole mounted customer display



Internal WIFI & Bluetooth



Integrated MSR



Option 2 Hard Disk Drive



Removable MSR



Cash Drawers



Printers



Rear LCD



15"



17"



22"

# U57-CZ Series Icore i5 15" & 17" 22"

Experience quality, design, and style in our most popular all-in-one "AIO" terminal solution . This reliable and state of the art AIO Terminal features a Intel ICORE Processor, optional rear mounted 2nd display, and a compact base design which is ideal for small workplace operations. Available in 5 wire resistive touch technology or Projective capacitive multi-touch technology. Available in 15", 17" & 22" configurations with or without 2nd hard disk drive

## CZ Series 15", 17" & 22" Intel i5 AIO Terminals

### Specifications

#### U57-CZ-15i5 ,CZ-17i5 & CZ-22i5 AIO Terminals)

- **TOUCH:** 10 point Projective Capacitive
- **CPU:** i5 5200U, clock speed 2.2ghz, TDP 13W
- **MEMORY:** 8 GB DDR3-1333
- **HARD DRIVE:** 256GB SSD (Upgradable)
- **VIDEO GRAPHICS:** Intel HD Graphics Support
- **BRIGHTNESS:** 400cd/m2
- **RESOLUTION:** 1024 X 768 Pixel (15"), 1280 x 1024 (17")  
1920 x 1080 (21.5")
- **CONTRAST:** 500:1(15"), 800:1(17"), 1000.1 (21.5")
- **USB PORTS:** 6 x USB 2.0 (External, 4 x bottom/ 1 x side)
- **VIDEO PORTS:** 1 x DB-15, Female (HDMI Option)
- **LAN:** 1x RJ45 Gigabyte
- **COM PORTS:** 2 x COM DB9, with power output, +5VDC/  
+12VDC, selectable by Jumper
- **PARALLEL:** 1 x DB25 Parallel Port (Special Order)
- **SOUND:** 1 x Internal Speaker Microphone & earphone
- **WIFI:** Internal Antenna 802.11 B/G/N 50m with Bluetooth
- **DC OUT:** 1 x 12VDC Jack for Customer Display or 2nd Display
- **WEIGHT:** 15"(4.4kgs) 10lbs , 17"(4.8kgs) 11lbs (No Base)
- **POWER:** 110-240V/50-60HZ, AC power input
- **DIMENSIONS:** 15" 14.25" x 2" x 11.5" (LxDxH) excluding base
- **DIMENSIONS:** 17" 15.5" x 2" x 13" (LxDxH) excluding base
- **DIMENSIONS:** 22" 21.75" x 2" x 12.75" (LxDxH) excluding base
- **MOUNTS:** 100mm & 75mm blind insert vesa mount
- **CERTIFICATIONS:** FCC Class A, CE, RoHS
- **POWER:** +DC 12V/10A Output
- **LCD DISPLAY:** High Bright 16.7M Colors
- **OPERATING TEMP:** 0°C~40°C
- **OPERATING HUMIDITY:** 20% ~ 80% RH non-condensing
- **OPERATING SYSTEMS:** Optional

#### Options:

- 3 Track Programmable Magnetic Card Reader
- 2 x 20 Vacuum Florescent Rear Mounted Display
- 10", 12" , 15" rear or Pole mounted customer display



Internal WIFI & Bluetooth



Integrated MSR



Option 2 Hard  
Disk Drive



Removable  
MSR



Cash Drawers

Printers

Rear LCD



15"



17"



22"

# U57 14" Terminal, Cash Drawer, Printer & Scanner Combo

The Innovative U57-14AIOJ19COMBO Ultimate POS workstation combo. 14" J1900 All In One POS workstation combined with our 3 in 1 cash drawer that has been engineered with an 80mm thermal printer and barcode table top 2D Scanner. The terminal boasts a powerful Intel quadcore Celeron J1900 processor with 4gb ram and 120gb MSATA The cash drawer utilizes a 3 bill 5 coin cash till, Bluetooth enabled printer and USB Scanner. All built into a small but powerful workstation

All built into a small but powerful workstation

## 14" Wide Screen AIO Series Complete POS Workstation

### Specifications:

- **TOUCH:** 10 point Projective Capacitive
- **CPU:** Intel® Bay Trail-D Platform, Celeron® Processor 1900 (2.0GHz, 2M Cache)
- **MEMORY:** 4 GB DDR3-1333
- **HARD DRIVE:** 120GB MSATA (Upgradable)
- **VIDEO GRAPHICS:** Intel HD Graphics Support
- **BRIGHTNESS:** 400cd/m2
- **RESOLUTION:** 1366 x 768 Pixel
- **CONTRAST:** 500:1
- **USB PORTS:** 6 x USB 2.0 (External, 4 x bottom/ 1 x side)
- **VIDEO PORTS:** 1 x DB-15, Female (HDMI )
- **LAN:** 1x RJ45 Gigabyte
- **COM PORTS:** 1 x COM DB9, with power output, +5VDC/ +12VDC, selectable by Jumper
- **SOUND:** 1 x Internal Speaker Microphone & earphone
- **WIFI:** Internal Antenna 802.11 B/G/N 50m with Bluetooth

### UZ-HS4380 Cash Drawer 3/5

- **BILL/COIN TRAY:** 3 bill 5 coin
- **LOCK:** 3 position key lock
- **MICRO SWITCH:** Yes
- **BLUETOOTH:** Yes
- **VOLTAGE:** 12 volt

### Built in Printer

- **CALIBER:** EM638
- **PRINT METHOD:** Thermal
- **PRINT SPEED:** 60mm/SEC
- **PAPER WIDTH:** 80MM
- **PRINT DENSITY:** 8 point/mm
- **PAPER HANDLING:** Tear
- **PAPER DETECTION:** Yes
- **LIGHT SENSORS:** Yes
- **PRINT HEAD LIFE:** 50KM

### Built in Scanner

- **SCANNER MODEL:** GT-760 2D
- **POWER SUPPLY:** DC5V/300mA
- **INTERFACE:** USB, RS232
- **SENSOR:** Planar CMOS
- **PROCESSOR:** 32-BIT MCU
- **SCANNING SPEED:** 200 Times per sec.
- **SCANNING MODE:** Automatic detection
- **SCANNING AREA:** 5\*5CM—30\*30cm
- **PROMPT:** Buzzer & indicator light



14" AIO Terminal Barcode Table top Scanner  
80mm Thermal Printer

# 15" Zero Bezel Touch Screen Display

Experience quality and design in our latest 15" LCD display. Attractive, slim, space saving design. This 15" LCD touch screen incorporates a bright, high contrast LCD Display, with wide viewing angles for improved image quality. Comes standard with USB touch interface, HDMI and VGA inputs.



## U57-T150R-VH

- **Touch:** 5 Wire Resistive Anti-Glare
- **Interface:** USB A-B,
- **Display:** HDMI, VGA 640x480, 800x600, XGA 1024x768 (60/70/75hz)
- **Resolution:** 1024(H) x 768(V)
- **Brightness:** 250 Nits
- **Contrast:** 500:1
- **Viewing Angle:** 120 degree (H), 100 degree (V)
- **Response Time:** 8ms
- **Signal Input:** Video/Analog Signal, Signal Sync TTL
- **Signal Output:** DVI, VGA D-Sub
- **OSD:** Control Brightness, contrast, auto, color, user color etc
- **Power Supply:** 12V DC 3.3A
- **Power:** <=30W (Max)
- **Attachment Signal Line Power Adaptor**
- **Dimension (WxHxD)** 343mm x363mm x185mm (Includes Stand)
- **Color:** Black
- **Weight:** 12.8 lbs
- **Warranty:** 1 Year Parts and Labor



## Options

- Optional 2nd and 3rd Year Warranty
- Option Universal MSR Bracket
- Optional MSR USB Reader Programmable
- Optional MSR Mounting Bracket



USB Power Speaker SVGA HDMI



**Slim Low Profile Base with Cable Management**



**Buttons located on the back side of the LCD**



# 17" 5 Wire Touch Screen Display

Experience quality and design in our latest 17" LCD display. Attractive, slim, space saving design of the 17" LCD touch screen incorporates a bright high contrast LCD Display, with wide viewing angles improving image quality. Comes standard with USB touch interface and attractive price point.

## U41-T170DR-SBL-C



- **Touch:** 5 Wire Resistive Anti-Glare
- **Interface:** USB A-B,
- **Display:** DVI, VGA 640x480, 800x600, XGA 1024x768 (60/70/75hz), 1280 X 1024
- **Resolution:** 1280(H) x 1024(V)
- **Brightness:** 250 Nits
- **Contrast:** 1000:1
- **Viewing Angle:** 120 degree (H), 100 degree (V)
- **Response Time:** 8ms
- **Signal Input:** Video/Analog Signal, Signal Sync TTL
- **Signal Output:** DVI, VGA D-Sub
- **OSD:** Control Brightness, contrast, auto, color, user color etc
- **Power Supply:** 12V DC 3.3A
- **Power:** <=30W (Max)
- **Attachment Signal Line Power Adaptor**
- **Color:** Black
- **Weight:** 17.8 lbs
- **Warranty:** 2 Year Parts and Labor



DVI Port    VGA Port    Speaker    USB

## Options

- Optional 3rd Year Warranty
- Option Universal MSR Bracket
- Optional MSR USB Reader Programmable
- Optional MSR Mounting Bracket



Buttons located on the back side of the LCD





# Cash Drawers

The Innovative Family of Cash Drawers carries a classic construction that employs precise Plastic or Steel Ball Bearings which the rails open smoothly and move actively. Designed with SPCC Powder Coated Rolling Steel and Electroplating Rust Resistant Zinc base that provides all our drawers with Excellence.



## Quick Features:

- Micro Switch
- Nylon or Ball Bearing Rollers
- SPCC Powder Coated Rolling Steel, Rust Resistant Material
- 3-Position Electronic Key Lock
- Cable Included
- Competitive Pricing directly from the Manufacturer

## Applications:

- Retail/Hospitality/Industrial/Medical/Education/Home Office

## Models

- UZ-HS330A Mini Foot Print
- UZ-HS410A Standard
- UZ-HS410C Heavy Duty with Locking Lid
- UZ-HS410-MAN Manual
- UZ-HS460 Retail Heavy Duty
- UZ-HS400D1 Ball Bearing Rail and Locking Lid

## Options

- UZ-USBTrigger-W8 USB to RS232 Trigger Win 8 Compatible

The Innovative Mini UZ-HS330A cash drawer is designed for minimal amount of counter space but carries the same functionality and mechanisms as the larger foot print Cash Drawers.

## UZ-HS330A

## Mini Foot Print



- Coin Holder: 8 Coin Adjustable
- Bill Holder: 4 bill slots with Metal Bill Clip
- Media Slot: Two
- Micro Switch: Yes
- Interface: RJ11
- Cable Management: Yes
- Dimensions (WxLxH): 330mm x 330mm 90mm (13x13x3.5")
- Rail: Nylon Bearings
- Weight: 4.4 Kgs
- Color: Black
- Material Shell: SPCC Powder Coated Rolling Steel
- Material Plate: SECC-N5 Electroplating Rust Resistant Zinc base
- Keys: Two
- Key Lock: 3-Position Electronic Key Lock
- Cable: Included (Compatible with Epson, Star, Bixolon, Citizen)

# Cash Drawers

The Innovative Standard UZ-HS410A cash drawer carries classic construction with nylon wheels which operate smoothly and move effectively.

## UZ-HS410A **Standard**

- **Coin Holder:** 8 Coin Adjustable
- **Bill Holder:** 4 or 5 bill slots with Metal Bill Clip
- **Media Slot:** Two
- **Micro Switch:** Yes
- **Solenoid:** 24V
- **Interface:** RJ11
- **Dimensions (WxLxH):** 410mm x 430mm 100mm
- **Rail:** Nylon Bearings
- **Weight:** 7.25 Kgs
- **Color:** Black
- **Material Shell:** SPCC Powder Coated Rolling Steel
- **Material Plate:** SECC-N5 Electroplating Rust Resistant Zinc base
- **Keys:** Two
- **Key Lock:** 3-Position Electronic Key Lock
- **Cable:** Included (Compatible with Epson, Star, Bixolon, Citizen)

### Models

- **4b8c Model:** UZ-HS410A-4B8C
- **5b8c Model:** UZ-HS410A-5B8C



The Innovative Standard UZ-HS410C cash drawer carries classic construction with nylon wheels which operate smoothly and move effectively, and comes standard with a Locking Lid.

## UZ-HS410C **Heavy Duty**

- **Coin Holder:** 8 Coin Adjustable
- **Bill Holder:** 4 or 5 bill slots with Metal Bill Clip
- **Locking Lid:** Yes (Key Included)
- **Media Slot:** One
- **Micro Switch:** Yes
- **Solenoid:** 24V
- **Interface:** RJ11
- **Dimensions (WxLxH):** 410mm x 430mm 100mm
- **Rail:** Nylon Bearings
- **Weight:** 7.95 Kgs
- **Color:** Black
- **Material Shell:** SPCC Powder Coated Rolling Steel
- **Material Plate:** SECC-N5 Electroplating Rust Resistant Zinc base
- **Keys:** Two
- **Key Lock:** 3-Position Electronic Key Lock
- **Cable:** Included (Compatible with Epson, Star, Bixolon, Citizen)

### Models

- **4b8c Model:** UZ-HS410C-4B8C
- **5b8c Model:** UZ-HS410C-5B8C



**Removable Insert and Coin Tray  
Locking Lid included**



# Cash Drawers

The Innovative UZ-HS410A-MAN (manual) carries classic construction with nylon wheels which operate smoothly and move effectively, and a push button open and close.

## UZ-HS410A-MAN **MANUAL**

- **Coin Holder:** 8 Coin Adjustable
- **Bill Holder:** 4 or 5 bill slots with Metal Bill Clip
- **Media Slot:** Two
- **Micro Switch:** No
- **Interface:** Manual
- **Dimensions (WxLxH):** 410mm x 430mm 100mm
- **Rail:** Nylon Bearings
- **Weight:** 7.25 Kgs
- **Color:** Black
- **Material Shell:** SPCC Powder Coated Rolling Steel
- **Material Plate:** SECC-N5 Electroplating Rust Resistant Zinc base
- **Keys:** Two
- **Key Lock:** 3-Position Key Lock

### Models

- **4b8c Model:** UZ-HS410A-Man-4B8C
- **5b8c Model:** UZ-HS410A-Man-5B8C



The Innovative Retail Heavy Duty Ultimate UZ-HS460 cash drawer carries classic construction with nylon wheels which operate smoothly and move effectively, and has rear storage compartment to hide cables and power supplies .

## UZ-HS460 **Retail**

- **Coin Holder:** 8 Coin Adjustable
- **Bill Holder:** 4 or 5 bill slots with Metal Bill Clip
- **Media Slot:** Two
- **Micro Switch:** Yes
- **Solenoid:** 24V
- **Interface:** RJ11
- **Cable Management:** Yes
- **Dimensions (WxLxH):** 460mm x 465mm 100mm
- **Rail:** Nylon Bearings
- **Weight:** 9.5 Kgs
- **Color:** Black
- **Material Shell:** SPCC Powder Coated Rolling Steel
- **Material Plate:** SECC-N5 Electroplating Rust Resistant Zinc base
- **Keys:** Two
- **Key Lock:** 3-Position Electronic Key Lock
- **Cable:** Included (Compatible with Epson, Star, Bixolon, Citizen)

### Models

- **4b8c Model:** UZ-HS460-4B8C
- **5b8c Model:** UZ-HS460-5B8C



# 3 in 1 CASH DRAWER WITH BUILT IN 80mm THERMAL PRINTER & SCANNER

The Innovative UZ-HS4380 Ultimate cash drawer with built in 80mm Thermal Printer and Barcode table top scanner. This cash drawer utilizes a 3 bill 5 coin cash till, Bluetooth enabled printer and USB 2D Scanner. All built into a small but powerful product. Add one of our Point of Sale Terminals to this product making it a complete POS package.



## UZ-HS4380 CASH DRAWER SPECIFICATIONS

<b>MODEL:</b>	<b>UZ-HS4380-3/5</b>
<b>SHELL COLOR:</b>	<b>BLACK OR WHITE</b>
<b>PANEL COLOR:</b>	<b>BLACK</b>
<b>DIMENSIONS:</b>	<b>430mm x 325mm x 120mm 17" x 13" x 4.75" (WxLx H)</b>
<b>NET WEIGHT:</b>	<b>4.6KG or 10.25lbs</b>
<b>BILL/COIN TRAY:</b>	<b>3 BILL 5 COIN</b>
<b>LOCK:</b>	<b>3 POSITION KEY LOCK</b>
<b>MICRO SWITCH:</b>	<b>YES</b>
<b>COVER PLATE:</b>	<b>ENGINEERING PLASTIC</b>
<b>BASE:</b>	<b>ENGINEERING PLASTIC</b>
<b>DRIVE:</b>	<b>BLUETOOTH</b>
<b>VOLTAGE:</b>	<b>12 VOLT</b>

### PRINTER SPEC.

**CALIBER: EM638**  
**PRINT METHOD: THERMAL**  
**PRINT SPEED: 60mm/SEC**  
**PAPER WIDTH: 80MM**  
**PRINT DENSITY: 8 point/mm**  
**PAPER HANDLING: TEAR  
LACK OF PAPER DETECTION**  
REFLECTED LIGHT SENSORS  
**PRINT HEAD LIFE: 50KM**

### SCANNER SPEC

**SCANNER MODEL GT-760 2D**  
**POWER SUPPLY DC5V/300mA**  
**INTERFACE: USB, RS232**  
**SENSOR: PLANAR CMOS**  
**PROCESSOR: 32-BIT MCU**  
**SCANNING SPEED: 200 TIMES PER SEC.**  
**SCANNING MODE: AUTOMATIC IN DETCTION**  
**SCANNING AREA 5\*5CM—30\*30cm**  
**PROMPT: BUZZER & INDICATOR LIGHT**

# Cash Drawers & More

The Innovative Premium UZ-HS400D1 cash drawer designed with Ball Bearing Technology for smooth glide when rails open and patented insert with locking lid and handle with briefcase look for security.

## UZ-HS400D1 Premium

- **Coin Holder:** 8 Coin Adjustable
- **Bill Holder:** 5 bill slots with Metal Bill Clip
- **Media Slot:** One
- **Locking Lid:** Yes
- **Micro Switch:** Yes
- **Solenoid:** 24V
- **Interface:** RJ11
- **Cable Management:** Yes
- **Dimensions (WxLxH):** 405mm x 430mm 90mm
- **Rail:** Steel Ball Bearing
- **Weight:** 8.5 Kgs
- **Color:** Black
- **Material Shell:** SPCC Powder Coated Rolling Steel
- **Material Plate:** SECC-N5 Electroplating Rust Resistant Zinc base
- **Keys:** Two
- **Key Lock:** 3-Position Electronic Key Lock
- **Cable:** Included (Compatible with Epson, Star, Bixolon, Citizen)



Insert and Locking Lid Standard



Ball Bearing Technology





***INNOVATIVE MINDS...EXCEPTIONAL PRODUCTS***

***For more information  
please Contact us at***

***888-898-1941***

***or visit us online***

***ilcihw.com***

**4100 East Baldwin Road, Holly, Michigan 48442**