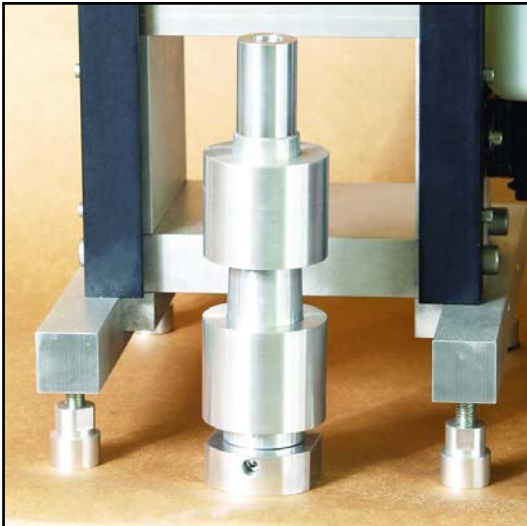


How to Use a Tube Extender

CAUTION!!

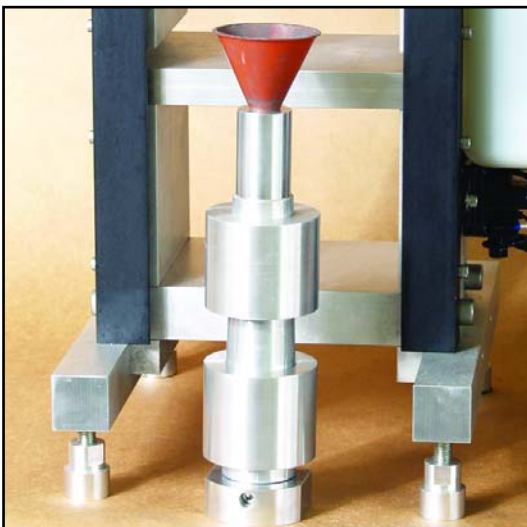
Working with pyrotechnic devices is a very rewarding endeavor that can become a lifetime passion. To ensure continued enjoyment of this hobby, please follow appropriate safety guidelines. Work in an open area outdoors, keep all pyrotechnic mixtures in closed containers, limit any compositions to only the amount needed for a particular item, store finished items in an appropriate day box or magazine, be sure to wear appropriate non-synthetic clothing, wear eye protection and keep a source of water nearby. FireSmith cannot be held responsible for any accidents or incidents resulting from the construction and use of any pyrotechnic devices. It is highly recommended to check and adhere to all local, state and federal regulations. Please consider joining the PGI and any pyro clubs in your area so that you may construct pyrotechnic items in a safe and legal environment. Additional information can be found at www.pgi.org.



When building rockets and gerbs it is handy to be able to fill the casing until it is nearly completely full. FireSmith Tube Extenders are designed to help facilitate this "topping off" of rockets and gerbs. Plus, this tool improves workbench safety by greatly reducing the amount of loose composition that may otherwise spill over your work area. These tube extenders are designed to be used either with a bare tube or in conjunction with a tube support. Though the tutorial that follows shows a tube extender being used with a support, using it with a bare tube follows the same procedure.

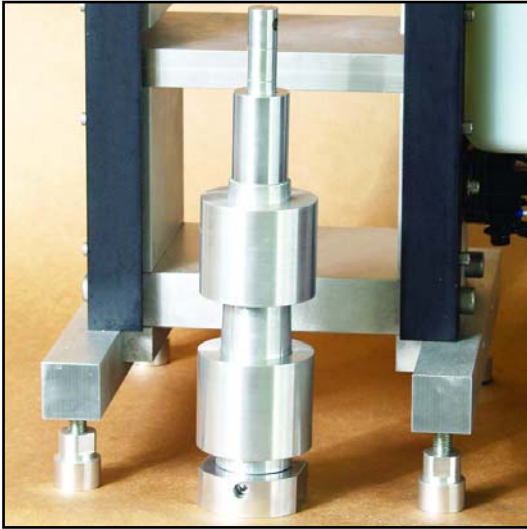
Step 1

When your tube is within about 1.5" of being full, slip the tube extender over the top of the tube. As indicated by the photo, FireSmith tube supports have a recess that allows the tube extender to sit squarely on the top of the tube.

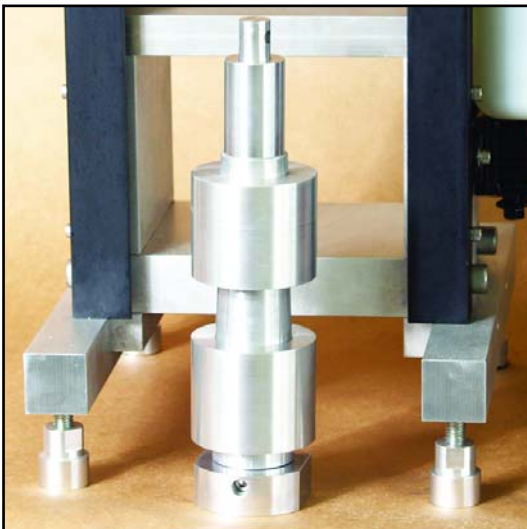


Step 2

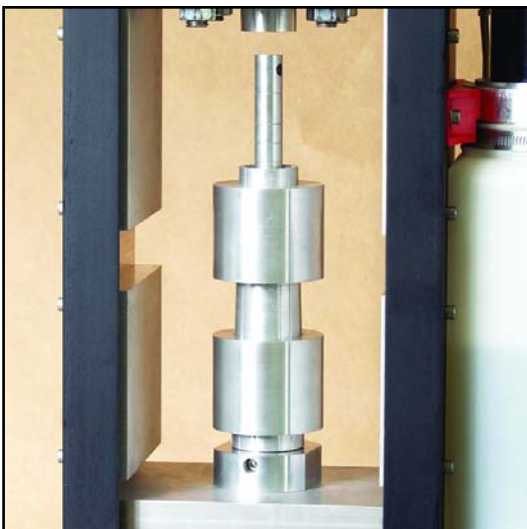
Using a small funnel, load an increment of composition into the top of the tube extender.



Step 3
Remove the funnel and insert your rammer.



Step 4
Using hand pressure, press down on the rammer to consolidate the composition into the motor tube. Make sure the rammer is also seated inside the tube.



Step 5
Leaving the rammer in the tube, slide the tube extender up and over the rammer. Set the extender aside and press the increment of composition.

Depending on the device being built, you may wish to fill your tubes to within 1/2" of the top of the tube. To do so, the above steps may need to be repeated 2-3 additional times.