



Stedea – Steel ideas.

Quick  
Easy  
Affordable

Stedea

steel ideas.

steel ideas.

### STEDEA Engineering Limited

Kızılırmak Mah. Dumlupınar Blv.  
NextLevel İş Merkezi No:3-C1/160  
06530 - Çankaya/Ankara, Türkiye

[www.stedea.com](http://www.stedea.com) | [iletisim@stedea.com](mailto:iletisim@stedea.com) | +90 506 316 9559



Stedea is **the innovative** way of using steel.  
**the creative**  
**the effective**

steel ideas.



Stedea works for better **environment.**  
lower **carbon footprint.**  
higher **recycling.**

steel ideas.

## Why "QA Containers" ?

QA indicates "Quick-Assembly".  
That means no need **lifting vehicles** for assembly.  
**electricity**  
**power tools**



**Quick**

Less than  
45 min.  
assembly time



**Easy**

Assembly  
by '3' workers  
with basic handtools



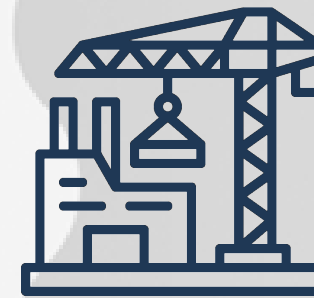
**Affordable**

competitive price  
with high quality

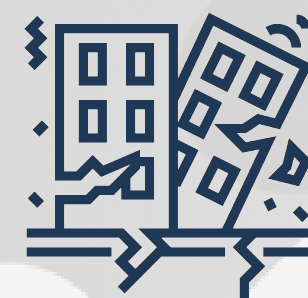
steel ideas.



gardens



construction  
sites



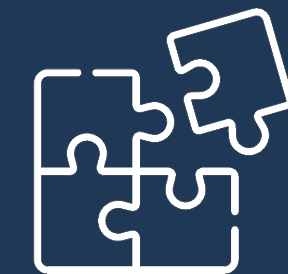
disasters



temporary  
camps

**FUNCTIONALITY**

**FLEXIBILITY**



demountable



lightweight



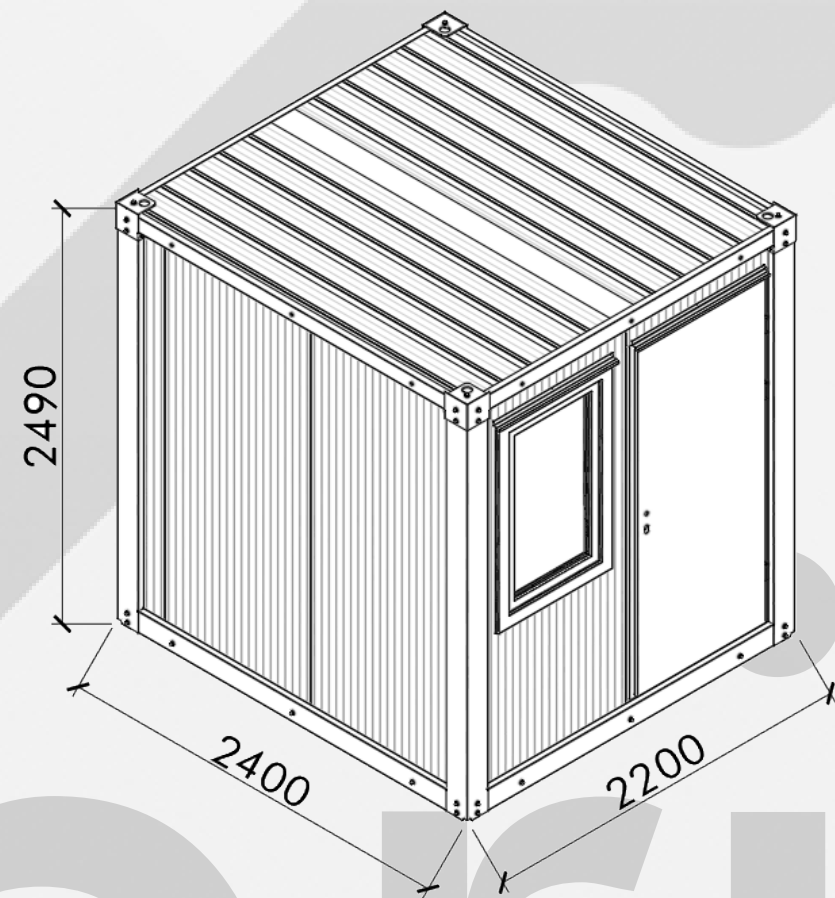
flat-packed



spare parts

steel ideas.

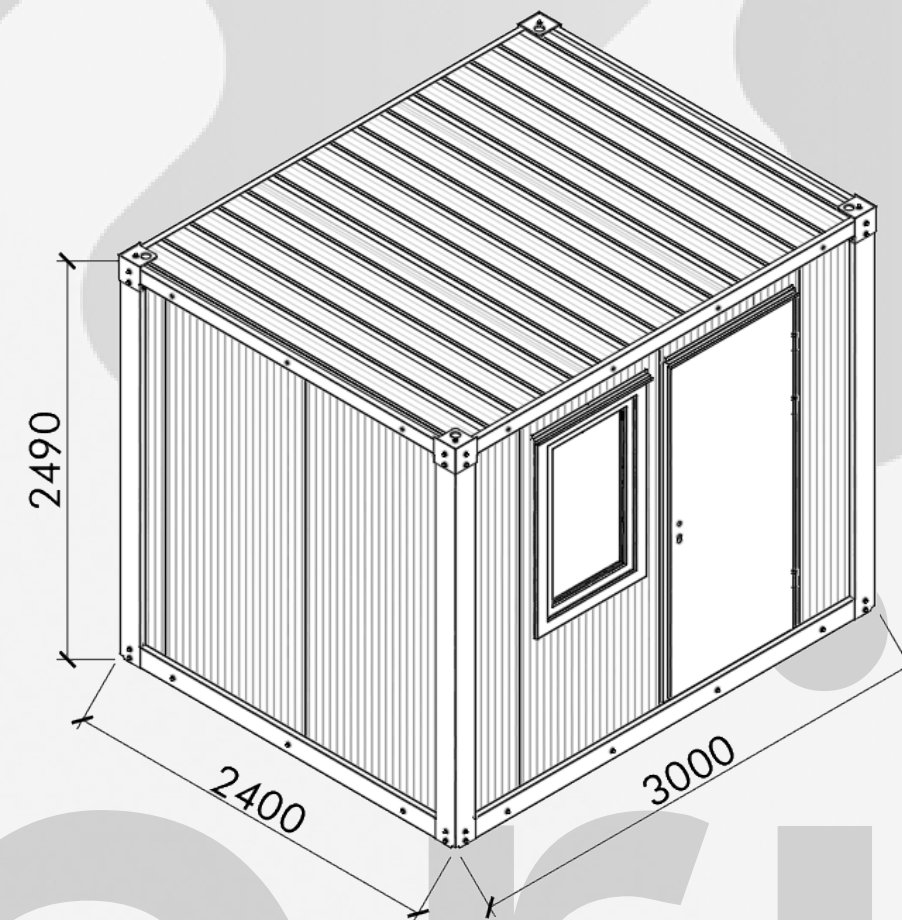
steel ideas.



**SM-QI 240220**  
from X.XXX,00 € +VAT

### Specifications:

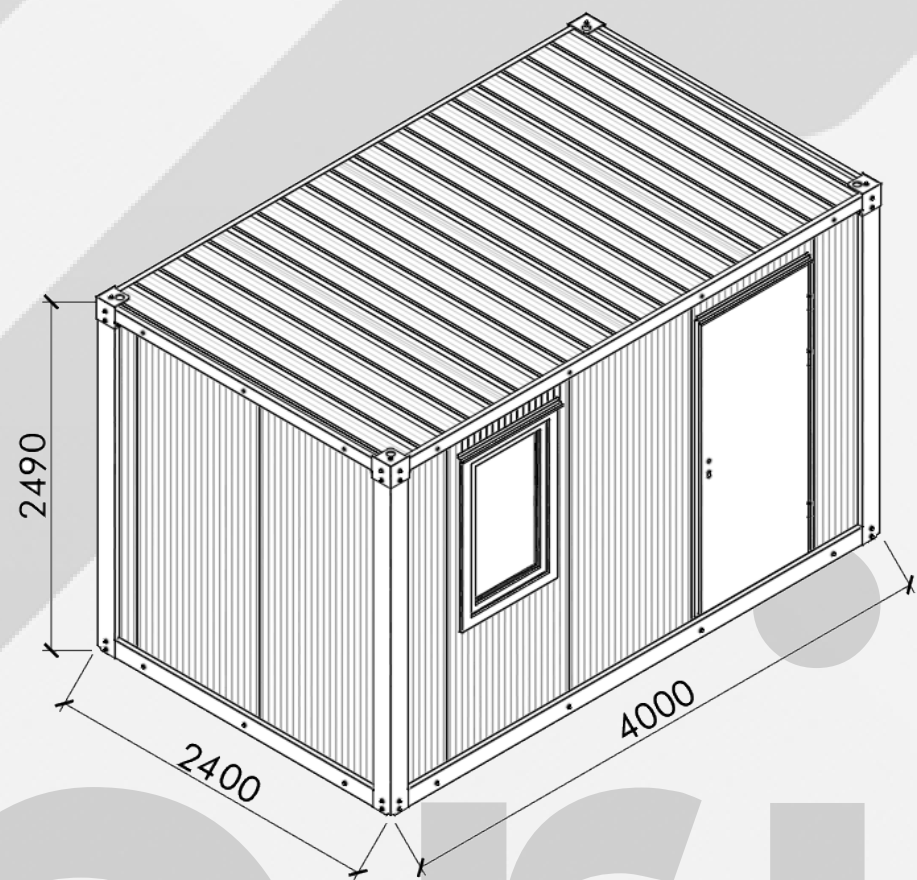
- 200 kg/m<sup>2</sup> floor load capacity
- Fully galvanized steel structure
- RAL9002 (grey-white) electrostatic powder coating
- 15mm OSB floorboard with PVC floorcovering
- 50mm EPS insulated wall panel
- 50mm EPS insulated ceiling panel
- 27/200 formed trapezoidal roof frame
- 2215x2065x2490 mm (WxLxH) internal dimensions
- 500 mm flat-pack height
- 5-packed stack (can be lifted together)
- Steel door & PVC window
- Electricity excluded



**SM-QI 240300**  
from X.XXX,00 € +VAT

### Specifications:

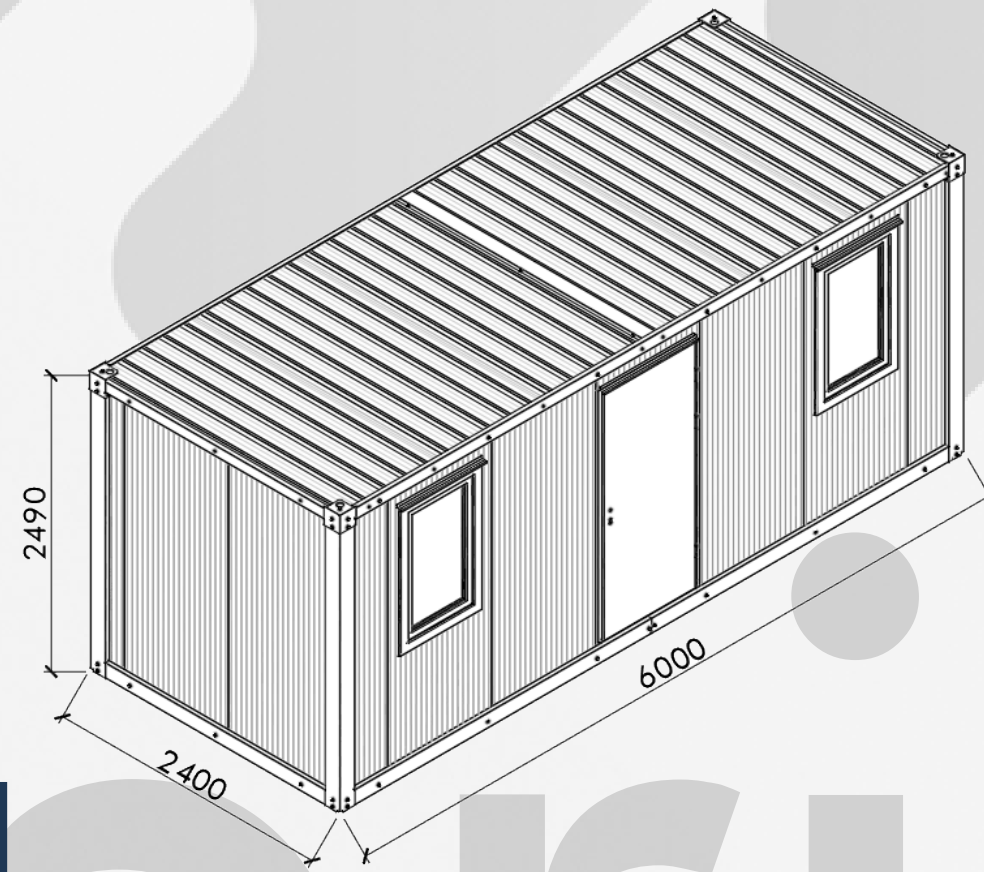
- 200 kg/m<sup>2</sup> floor load capacity
- Fully galvanized steel structure
- RAL9002 (grey-white) electrostatic powder coating
- 15mm OSB floorboard with PVC floorcovering
- 50mm EPS insulated wall panel
- 50mm EPS insulated ceiling panel
- 27/200 formed trapezoidal roof frame
- 2215x2815x2490 mm (WxLxH) internal dimensions
- 500 mm flat-pack height
- 5-packed stack (can be lifted together)
- Steel door & PVC window
- Electricity excluded



**SM-QI 240400**  
from X.XXX,00 € +VAT

### Specifications:

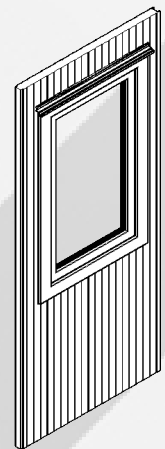
- 200 kg/m<sup>2</sup> floor load capacity
- Fully galvanized steel structure
- RAL9002 (grey-white) electrostatic powder coating
- 15mm OSB floorboard with PVC floorcovering
- 50mm EPS insulated wall panel
- 50mm EPS insulated ceiling panel
- 27/200 formed trapezoidal roof frame
- 2215x3815x2490 mm (WxLxH) internal dimensions
- 500 mm flat-pack height
- 5-packed stack (can be lifted together)
- Steel door & PVC window
- Electricity excluded



**SM-QI 240600**  
from X.XXX,00 € +VAT

### Specifications:

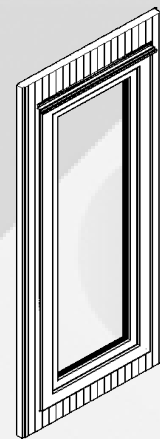
- 200 kg/m<sup>2</sup> floor load capacity
- Fully galvanized steel structure
- RAL9002 (grey-white) electrostatic powder coating
- 15mm OSB floorboard with PVC floorcovering
- 50mm EPS insulated wall panel
- 50mm EPS insulated ceiling panel
- 27/200 formed trapezoidal roof frame
- 2215x5815x2490 mm (WxLxH) internal dimensions
- 500 mm flat-pack height
- 5-packed stack (can be lifted together)
- Steel door & PVC window
- Electricity excluded



WindowPanel  
-WP-

XXX,00 € +VAT

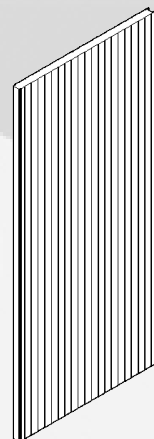
- EPS Wall Panel
- + PVC window
- + Water Drain Prf.



VisionPanel  
-VP-

XXX,00 € +VAT

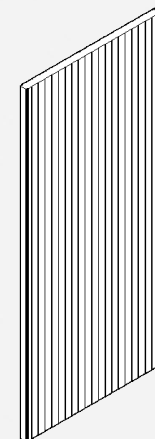
- EPS Wall Panel
- + PVC window
- + Water Drain Prf.



SidePanel  
-SP-

XX,00 € +VAT

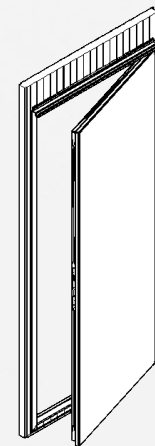
- EPS Wall Panel



CeilingPanel  
-CP-

XX,00 € +VAT

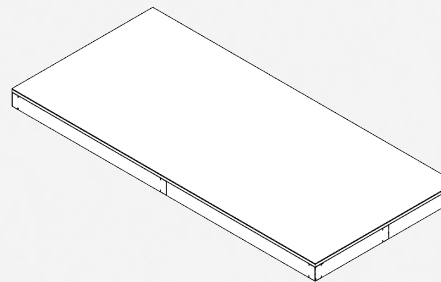
- EPS Ceiling Panel



DoorPanel  
-DP-

XXX,00 € +VAT

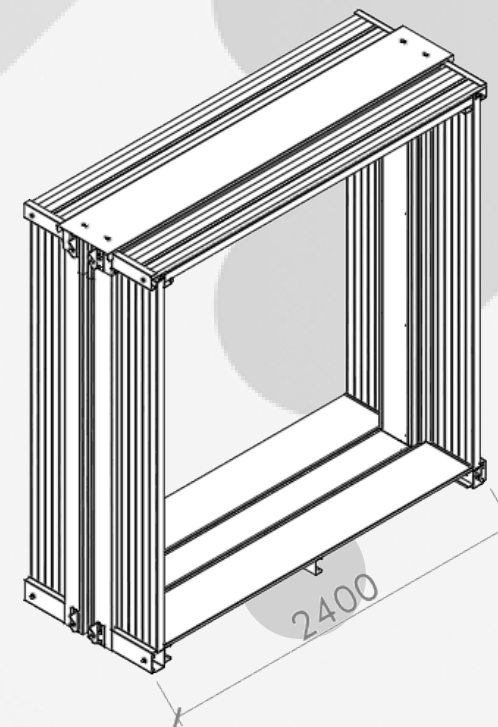
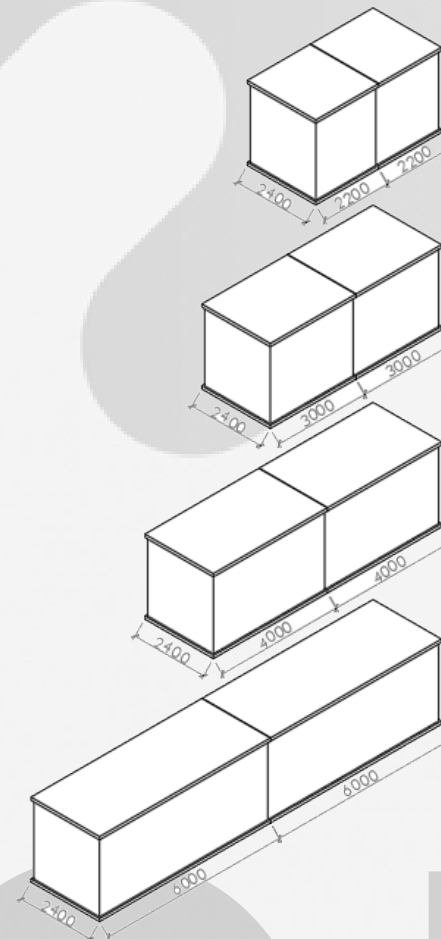
- EPS Wall Panel
- + Steel Door with hardware
- + Water Drain Prf.



FloorCassette  
-FC-

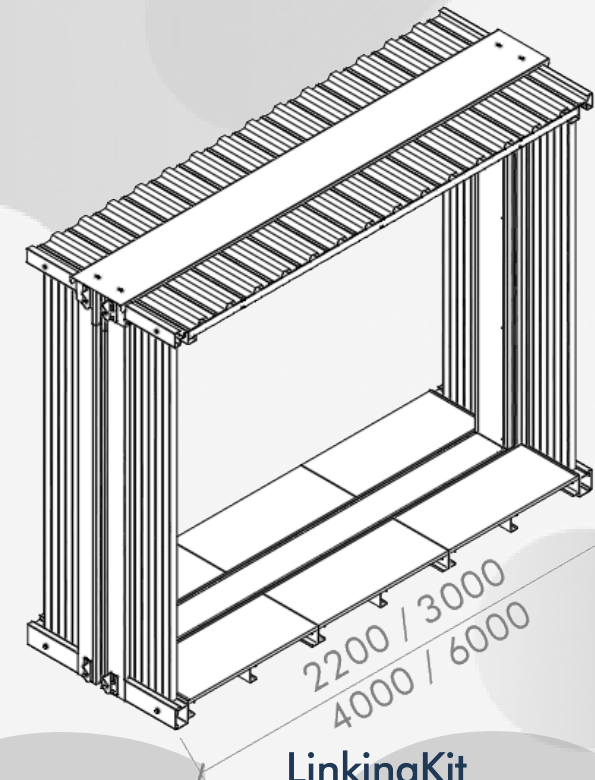
XXX,00 € +VAT

- Steel Frame
- + OSB Floor Board
- + PVC floor covering
- + Joint profile



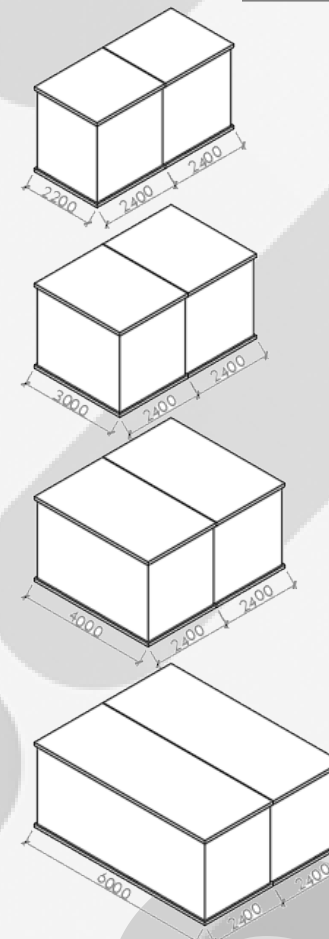
LinkingKit  
-LKW-  
for short side linking  
all set for linking

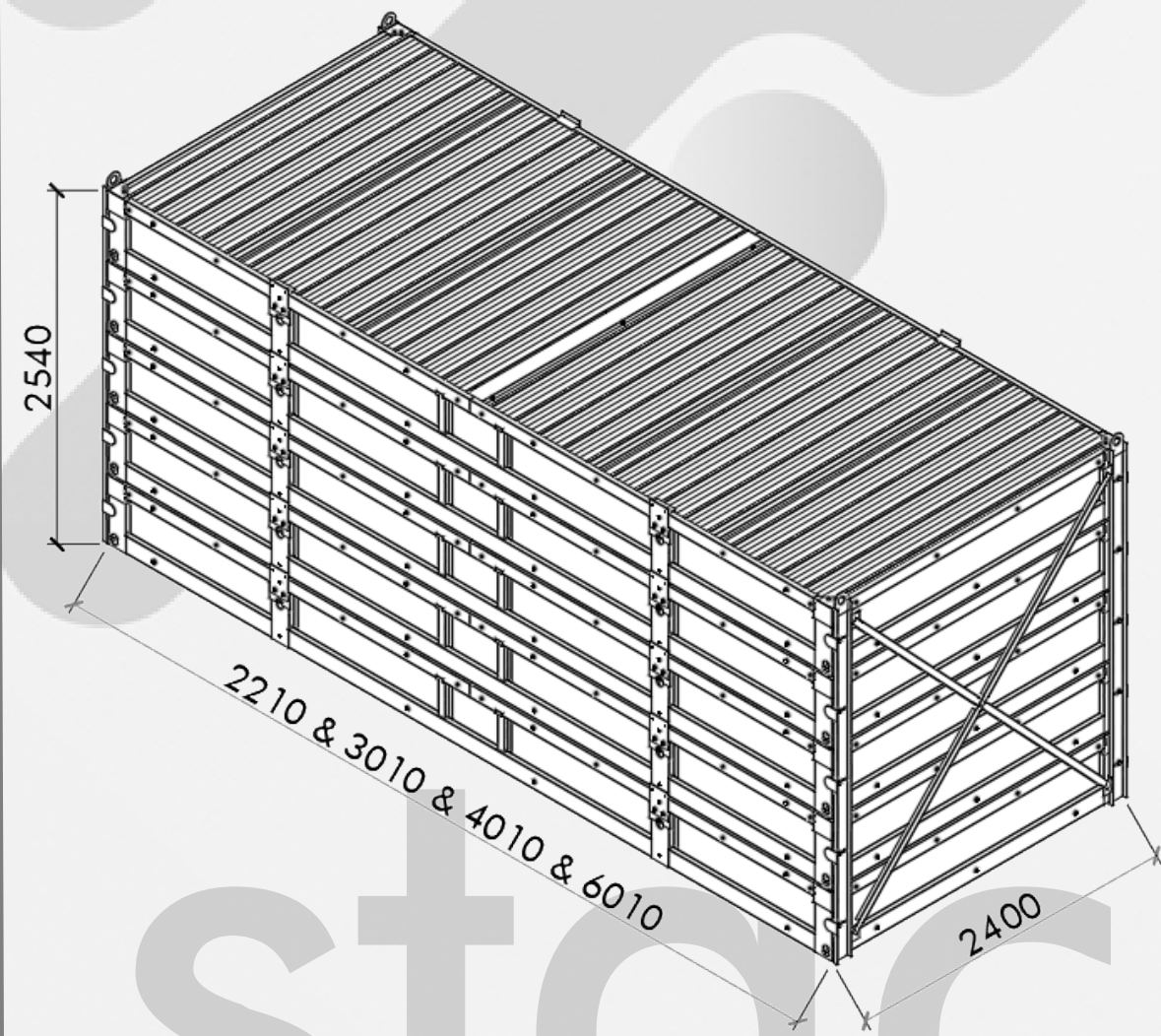
XXX,00 € +VAT



LinkingKit  
-LKL-  
for long side linking  
all set for linking

for 2200mm XXX,00 € +VAT  
for 3000mm XXX,00 € +VAT  
for 4000mm XXX,00 € +VAT  
for 6000mm XXX,00 € +VAT

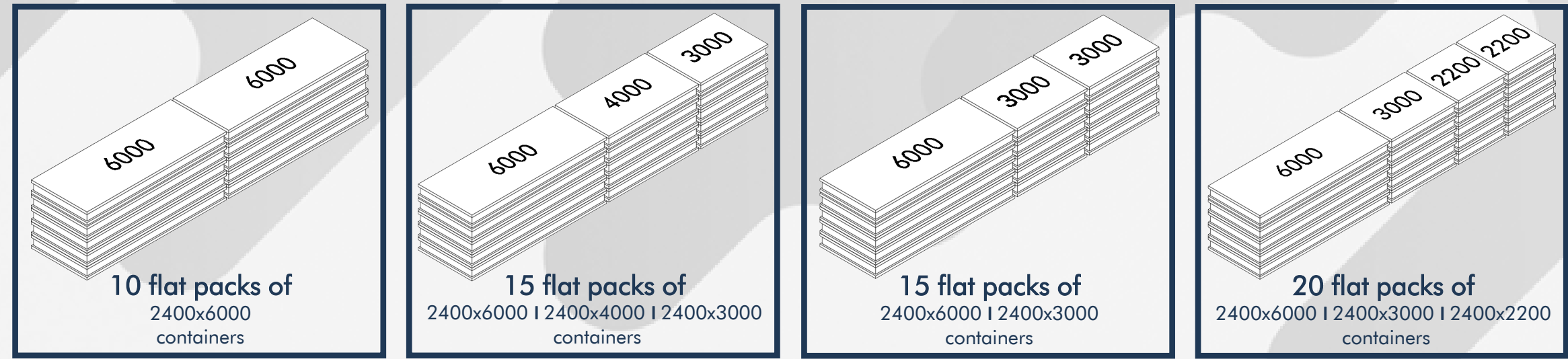




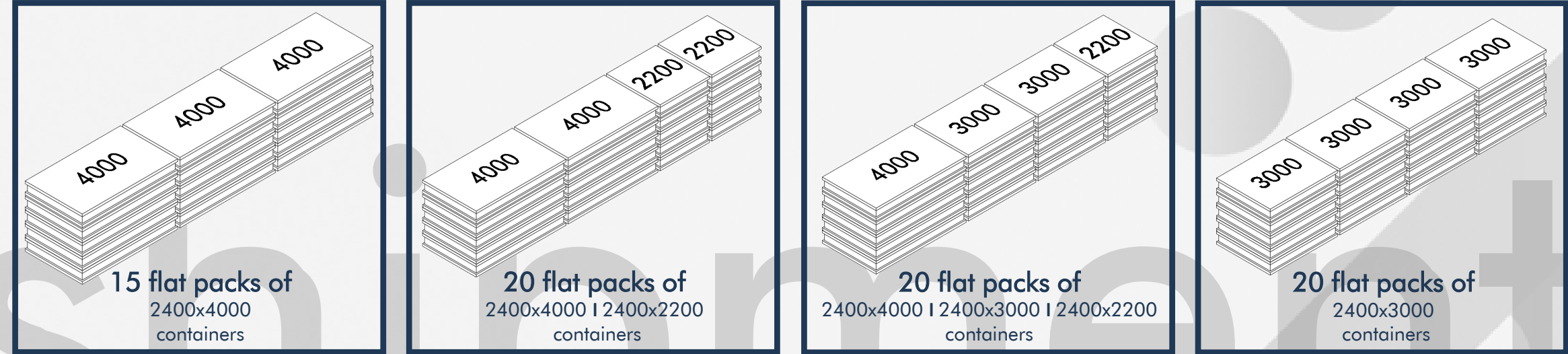
Single Stack for easy lifting  
with 5 flat-packs

<p>2400x2200 containers stack</p> <p><b>KG</b></p> <p>2.650 kg</p>	<p>2400x3000 containers stack</p> <p><b>KG</b></p> <p>3.520 kg</p>	<p>2400x4000 containers stack</p> <p><b>KG</b></p> <p>4.215 kg</p>	<p>2400x6000 containers stack</p> <p><b>KG</b></p> <p>6.175 kg</p>
--	--	--	--

steel ideas.




WIDE LOADING OPTIONS in "1" TRUCK




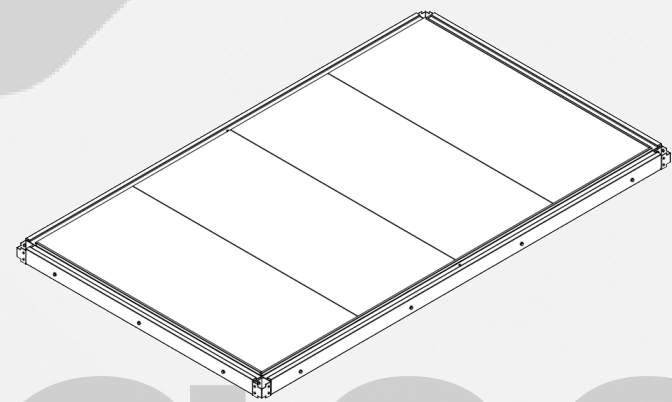
steel ideas.

07

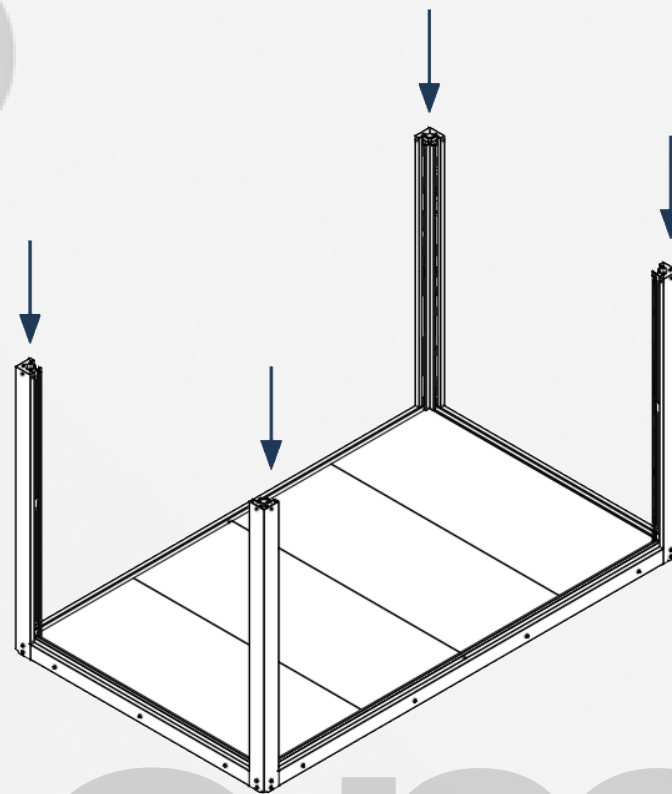
08

  
**Quick**  
Less than  
45 min.  
assembly time

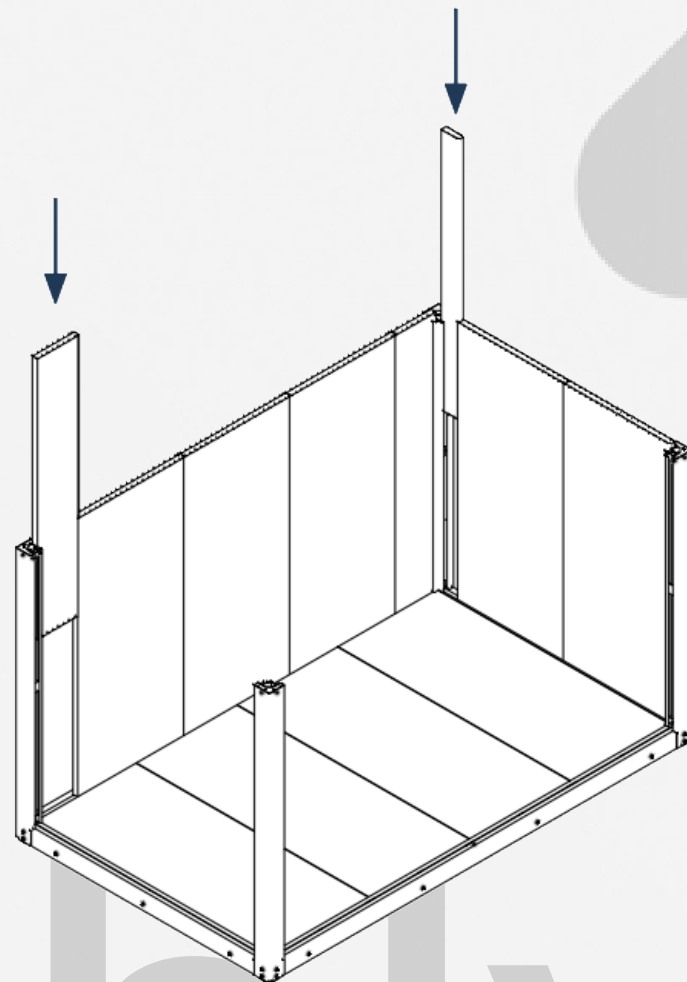
  
**Easy**  
Assembly with  
basic handtools



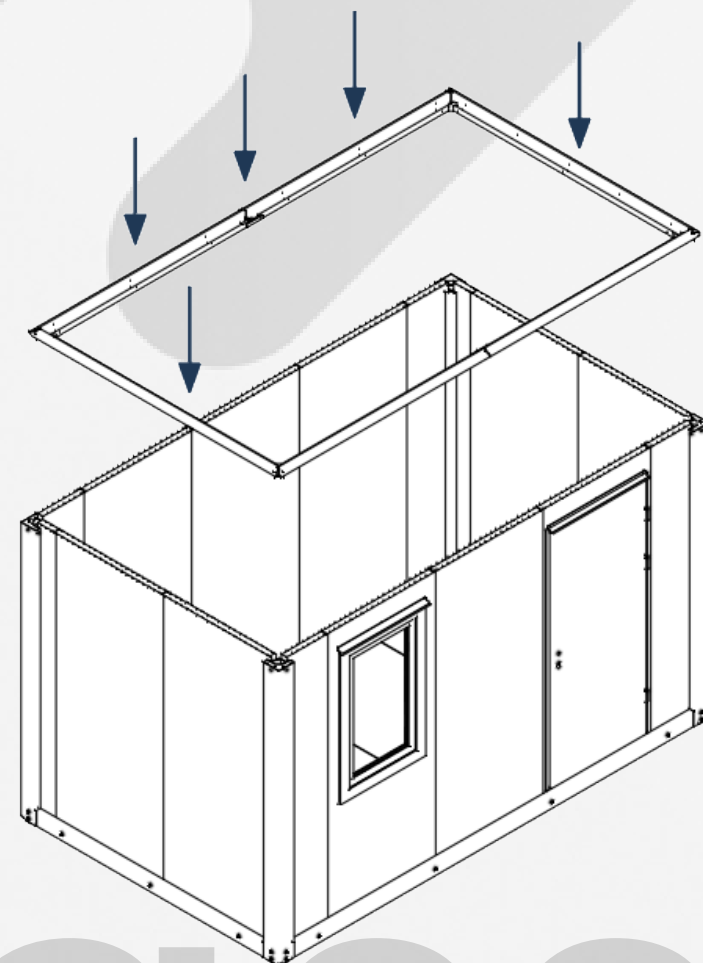
**Step-1**  
Level the floor chassis



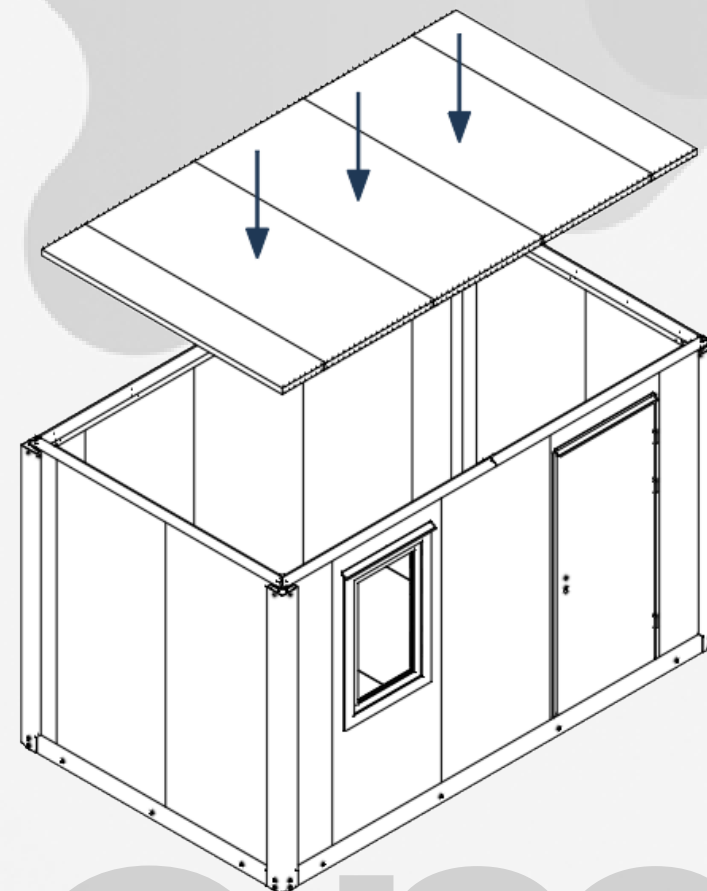
**Step-2**  
Fasten the columns.



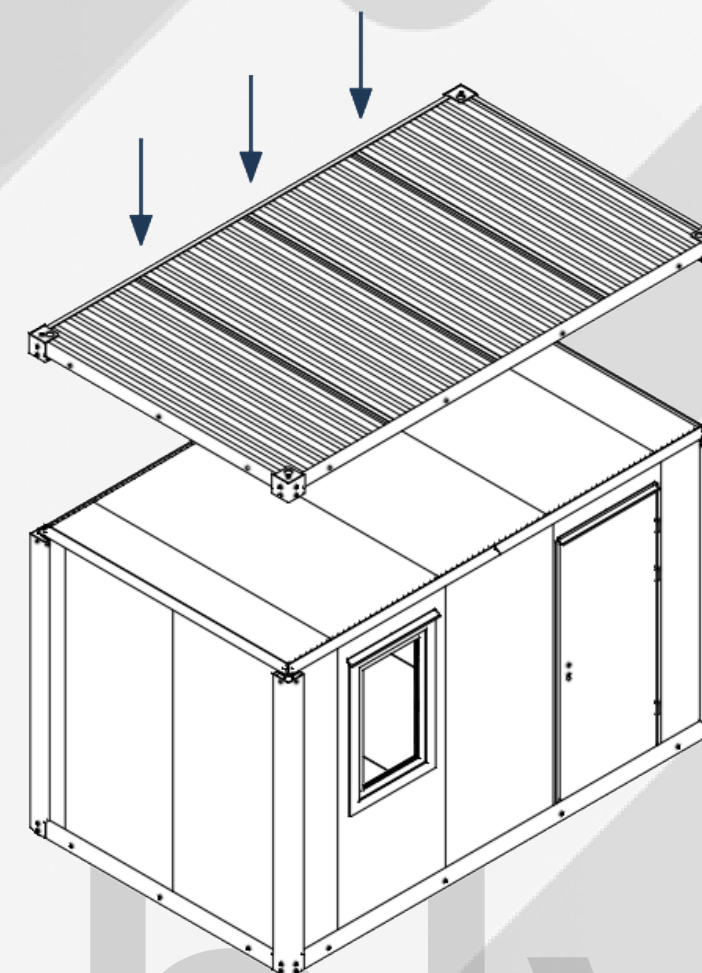
**Step-3**  
Put the wall panels.



**Step-4**  
Put the wall tracks.



**Step-5**  
Put the ceiling panels.



**Step-6**  
Fasten the roof.

09

steel ideas.

10

steel ideas.

assembly



steel ideas.



steel ideas.

gallery 1

gallery 2



steel ideas.

steel ideas.



steel ideas.



steel ideas.



steel ideas.



steel ideas.





**aselsan**

**aselsan**NET

**AFAD**



**Tavuk Dünyası**

**DORGE**

**UMS**

references

21

steel ideas.

take notes

22

steel ideas.