



Stedea – Steel ideas.

Quick
Easy
Affordable

Stedea

steel ideas.

steel ideas.

STEDEA Engineering Limited

Kızılırmak Mah. Dumlupınar Blv.
NextLevel İş Merkezi No:3-C1/160
06530 - Çankaya/Ankara, Türkiye

www.stedea.com | iletisim@stedea.com | +90 506 316 9559



Stedea – Steel ideas.

Stedea is **the innovative** way of using steel.
the creative
the effective

steel ideas.



Stedea – Steel ideas.

Stedea works for better **environment.**
lower **carbon footprint.**
higher **recycling.**

steel ideas.

steel ideas.

Why "ST Sheds"?

Quick and easy to assemble.
Designed to cover all your storage needs.
Lightweight yet highly durable and safe.
Functional with a stylish look.



Quick

Less than
30 min.
assembly time



Easy

Assembly
by '3' workers
with basic handtools



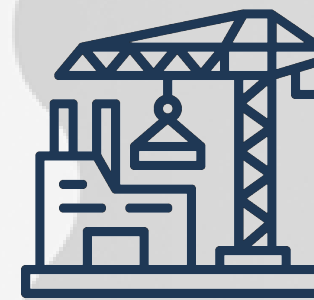
Affordable

competitive price
with high quality

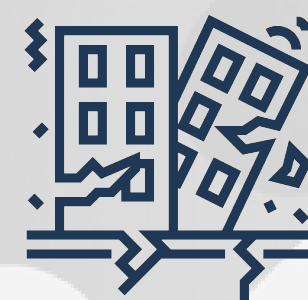
steel ideas.



gardens



construction
sites



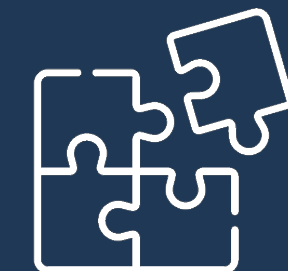
disasters



urban
furniture

FUNCTIONALITY

FLEXIBILITY



demountable



lightweight



flat-packed



spare parts

steel ideas.

Technical Specifications:

- 200 kg/m² floor load capacity
- Fully galvanised steel structure
- 15mm OSB floorboard
- 0,60mm thick - 35 mm rib depth trapezoidal wall panels
- 0,70mm thick - 35 mm rib depth trapezoidal roof panels
- Free-flow rain drainage at the roof

Door Options:

- Single door – 1250 mm width
- Double door – 1750 mm width

Lifting Options:

- Forklift pocket
- Lifting eye

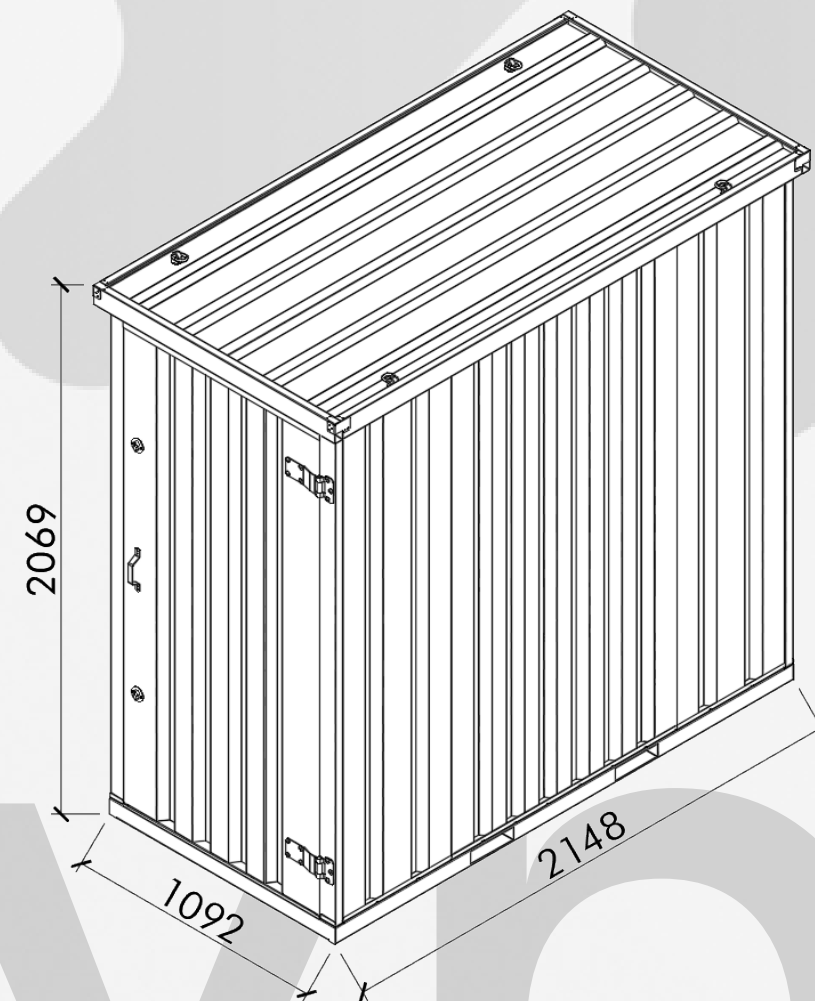
Customisation Options:

- Wide dimension
- Wide colour

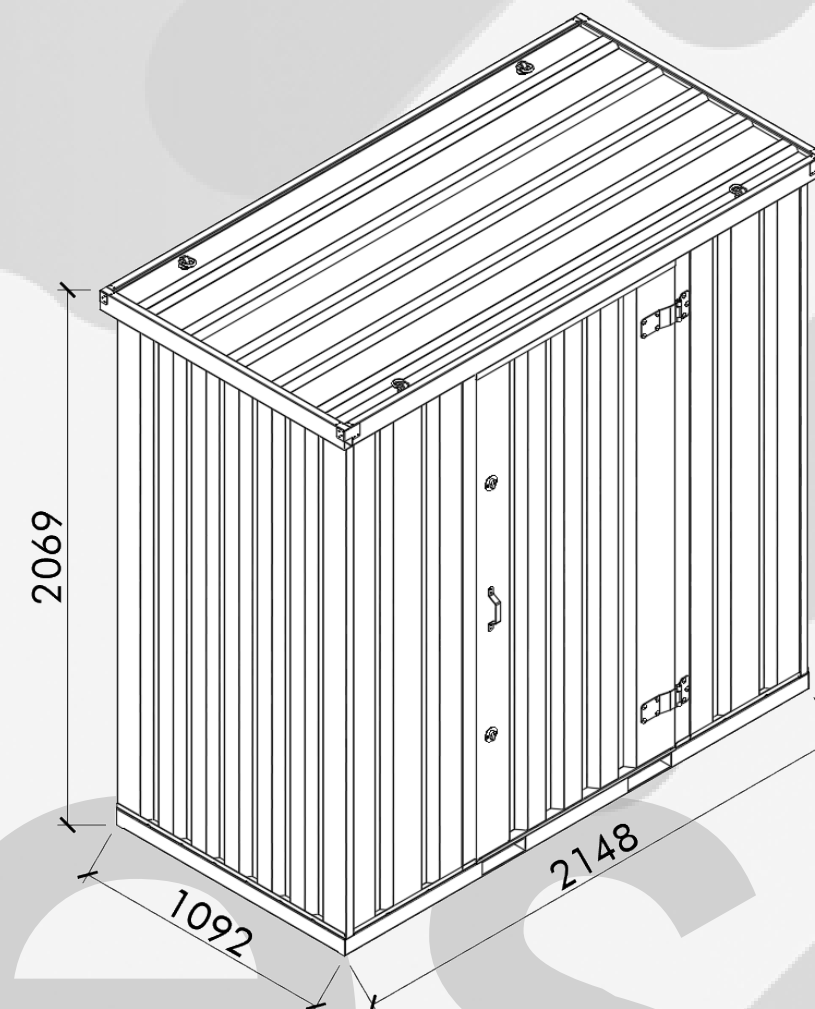
Colours:



steel ideas.



ST-SS 110215
from X.XXX,00 € + VAT



ST-SL 110215
from X.XXX,00 € + VAT

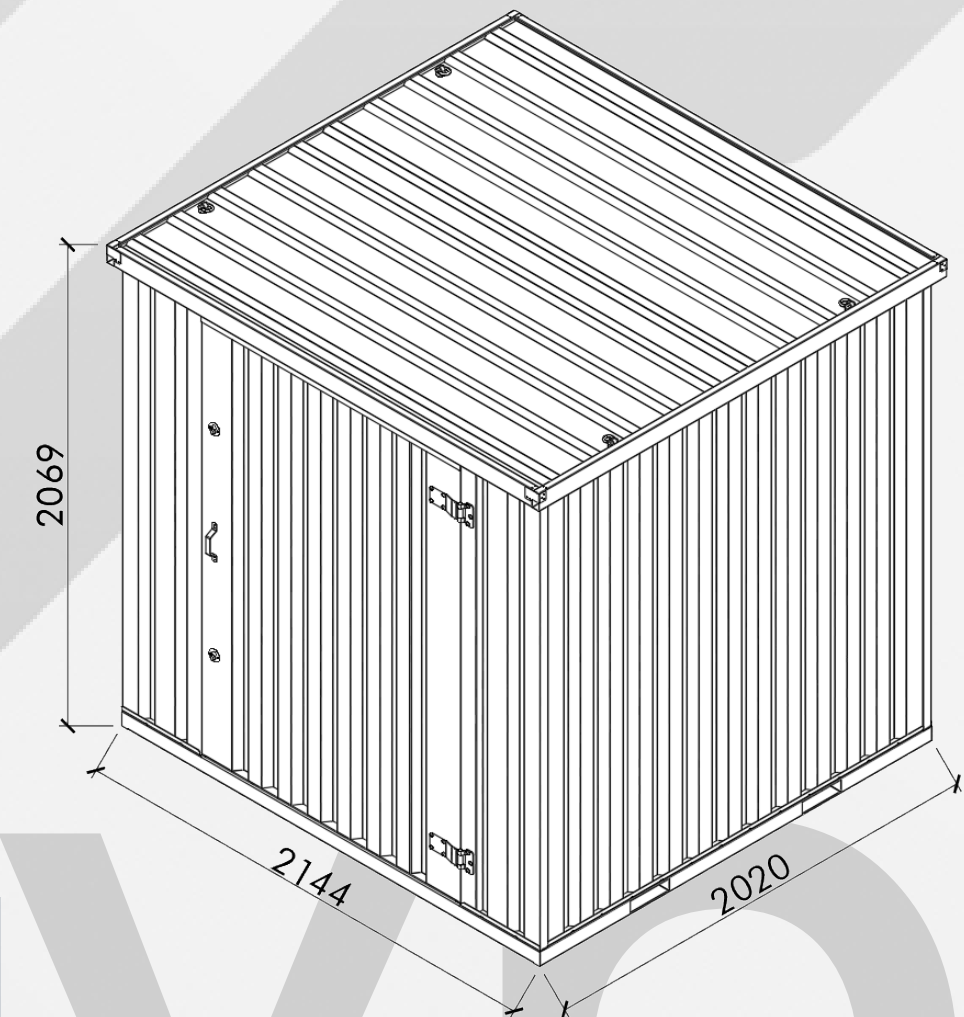
steel ideas.

Shed

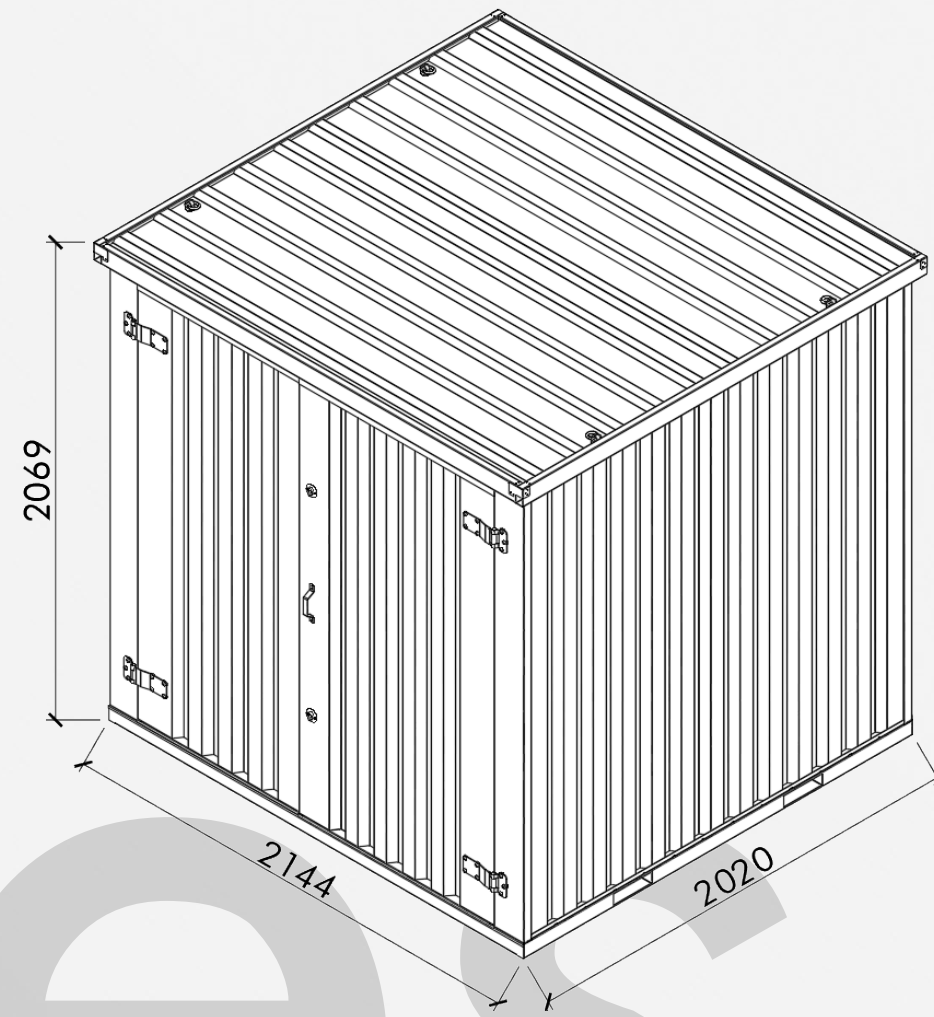
Shed

01

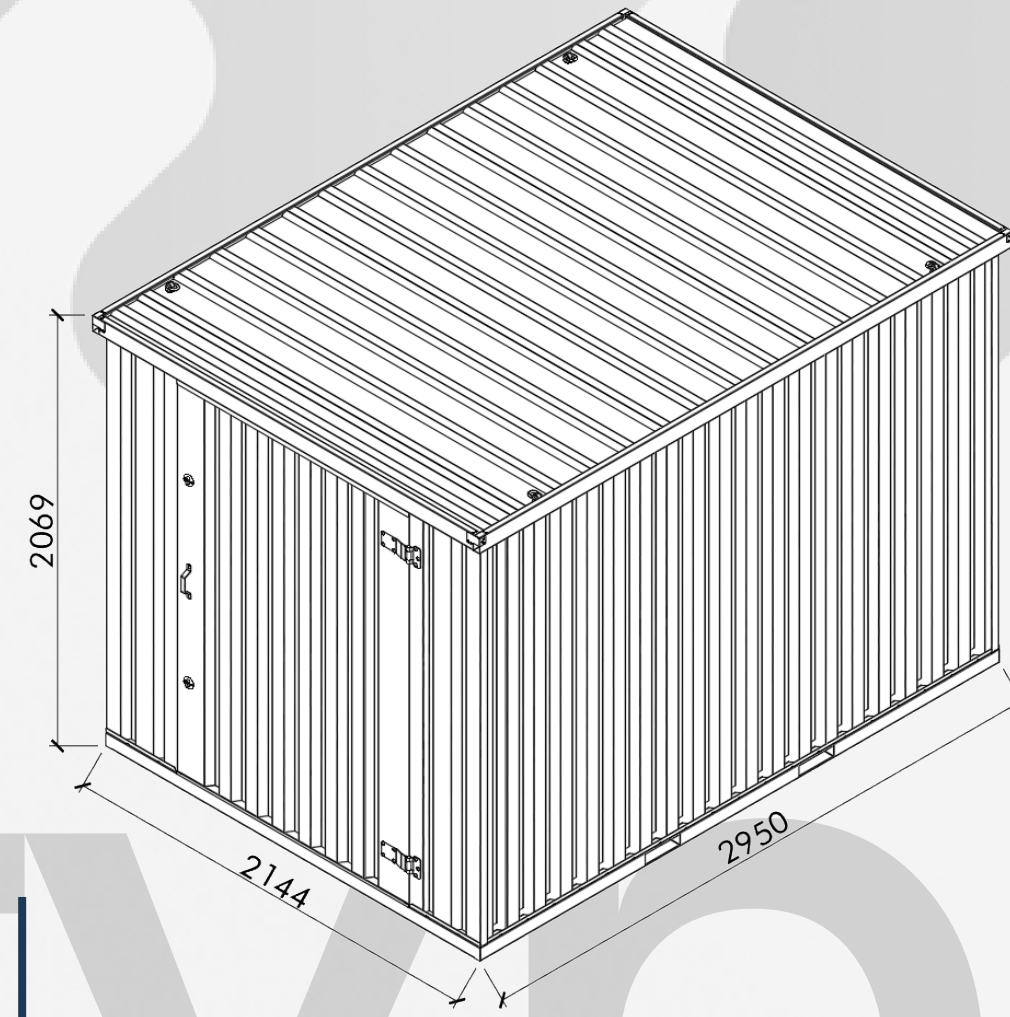
02



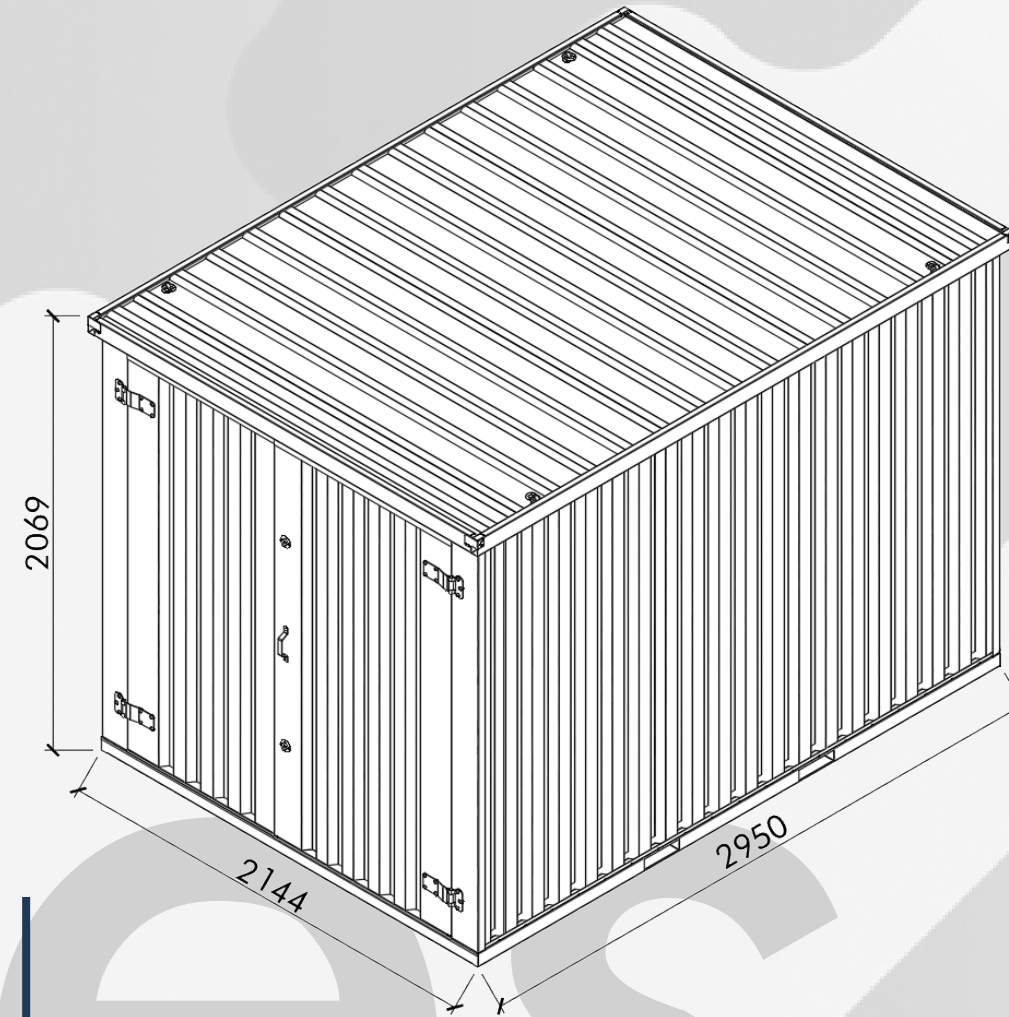
ST-SS 215200
from X.XXX,00 € +VAT



ST-DS 215200
from X.XXX,00 € +VAT



ST-SS 215300
from X.XXX,00 € +VAT



ST-DS 215300
from X.XXX,00 € +VAT

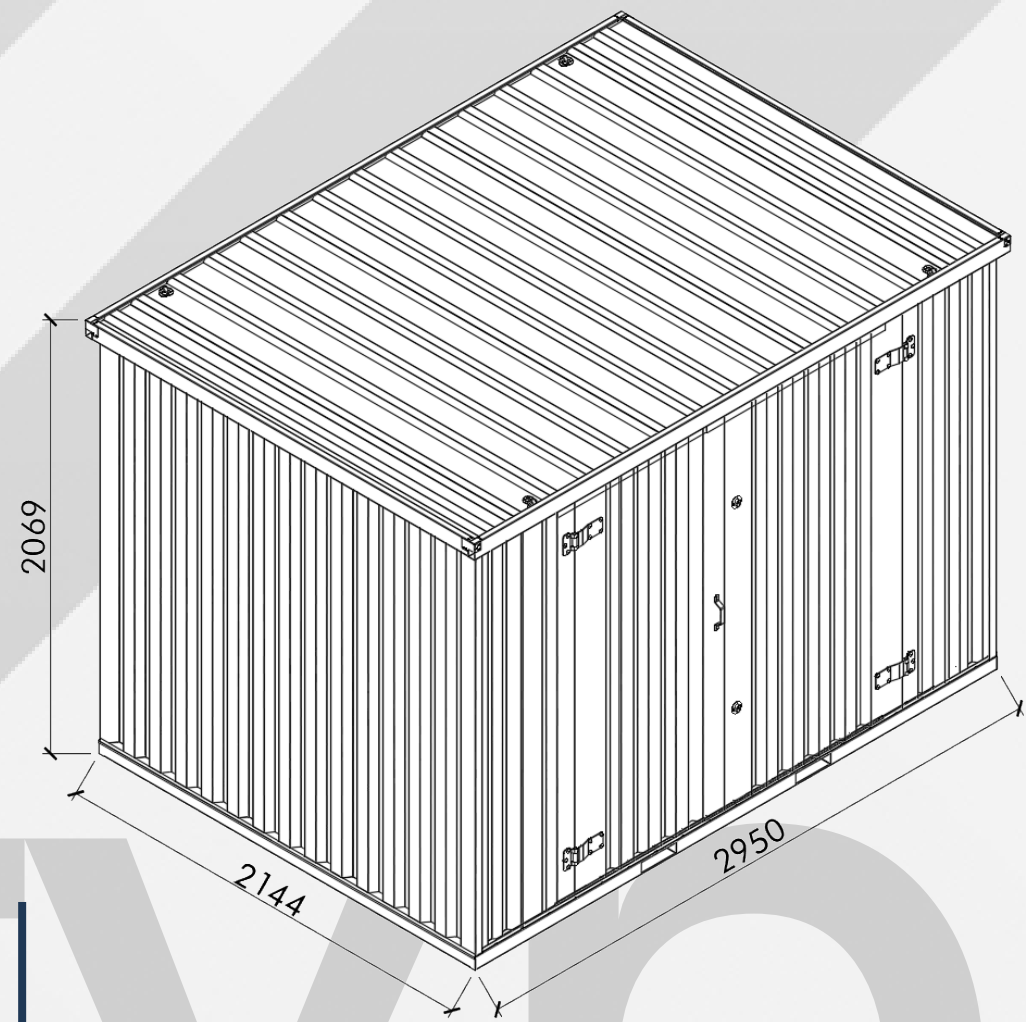
Shed

steel ideas.

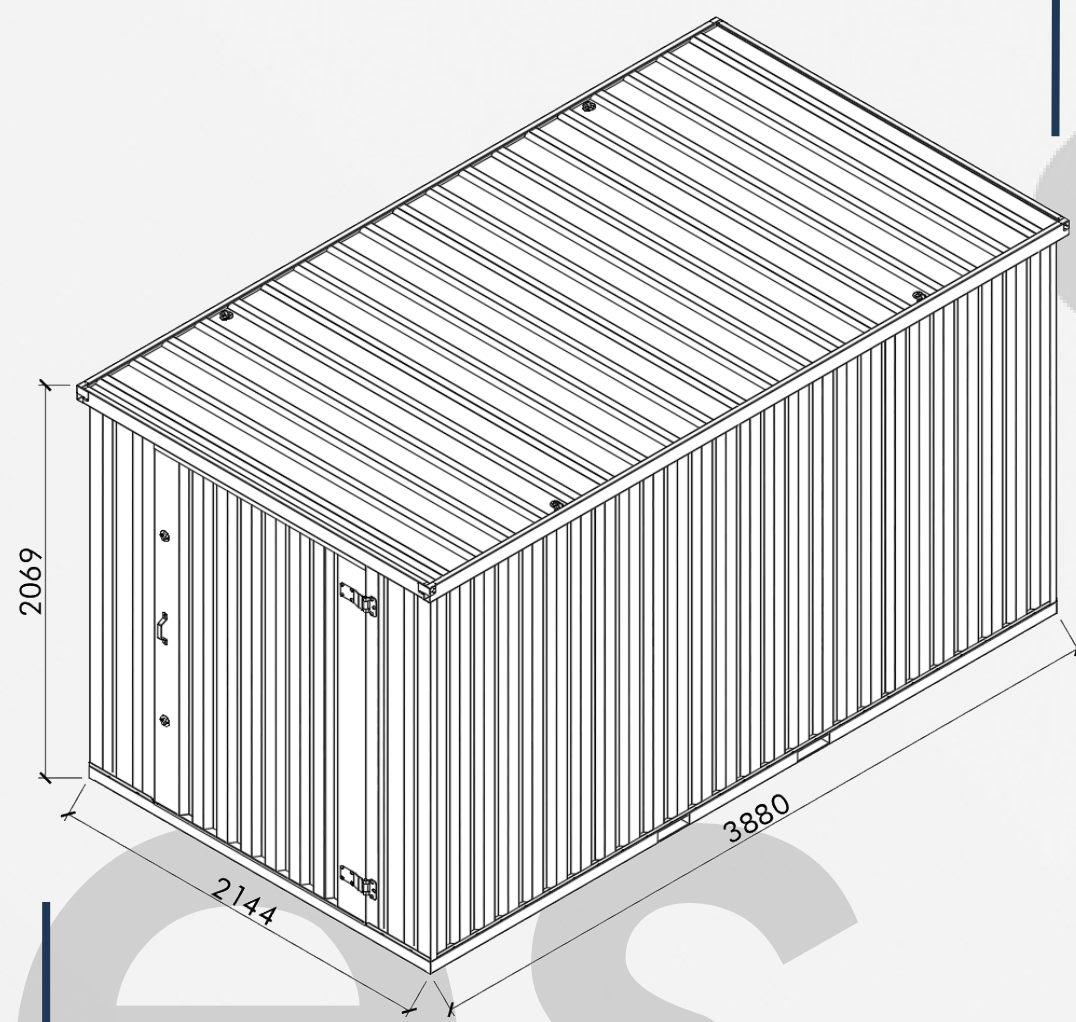
Shed

03

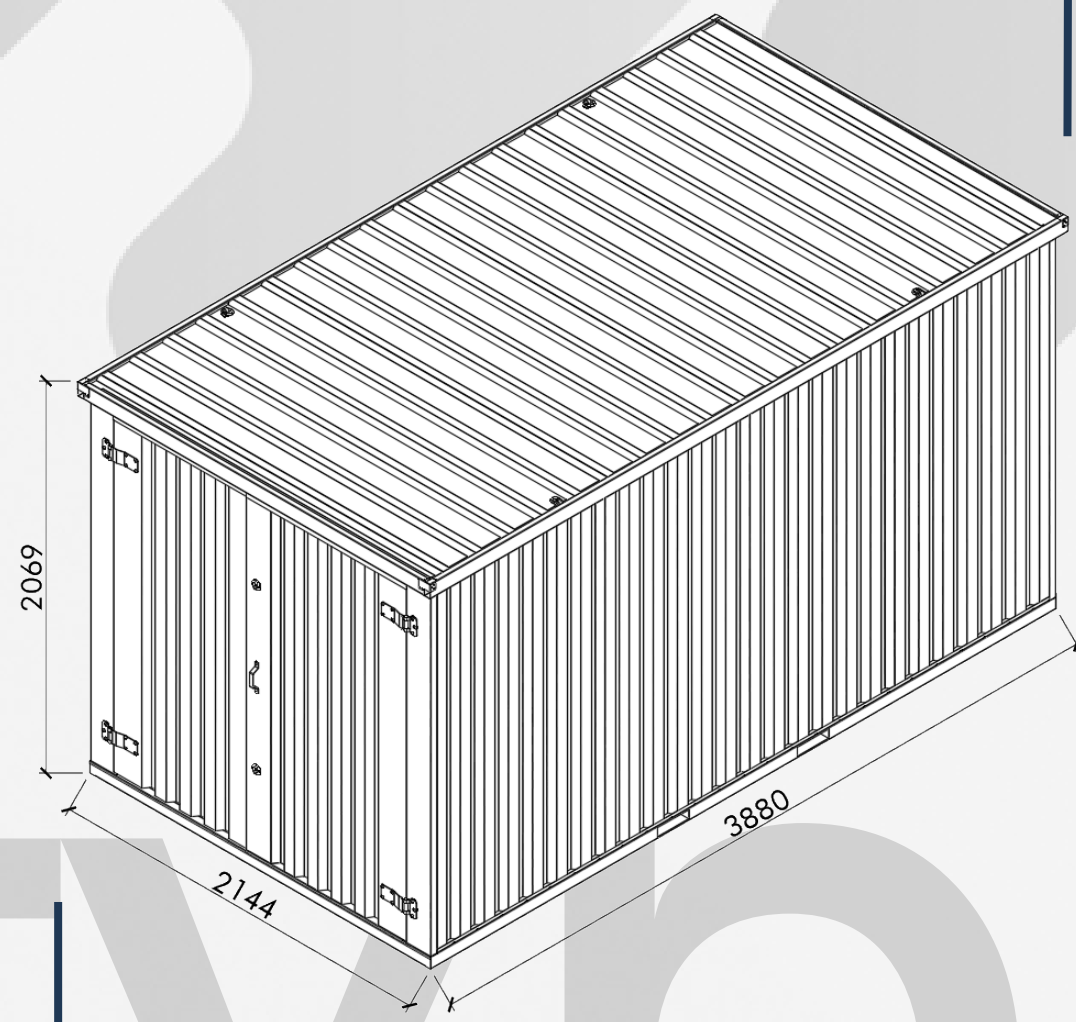
04



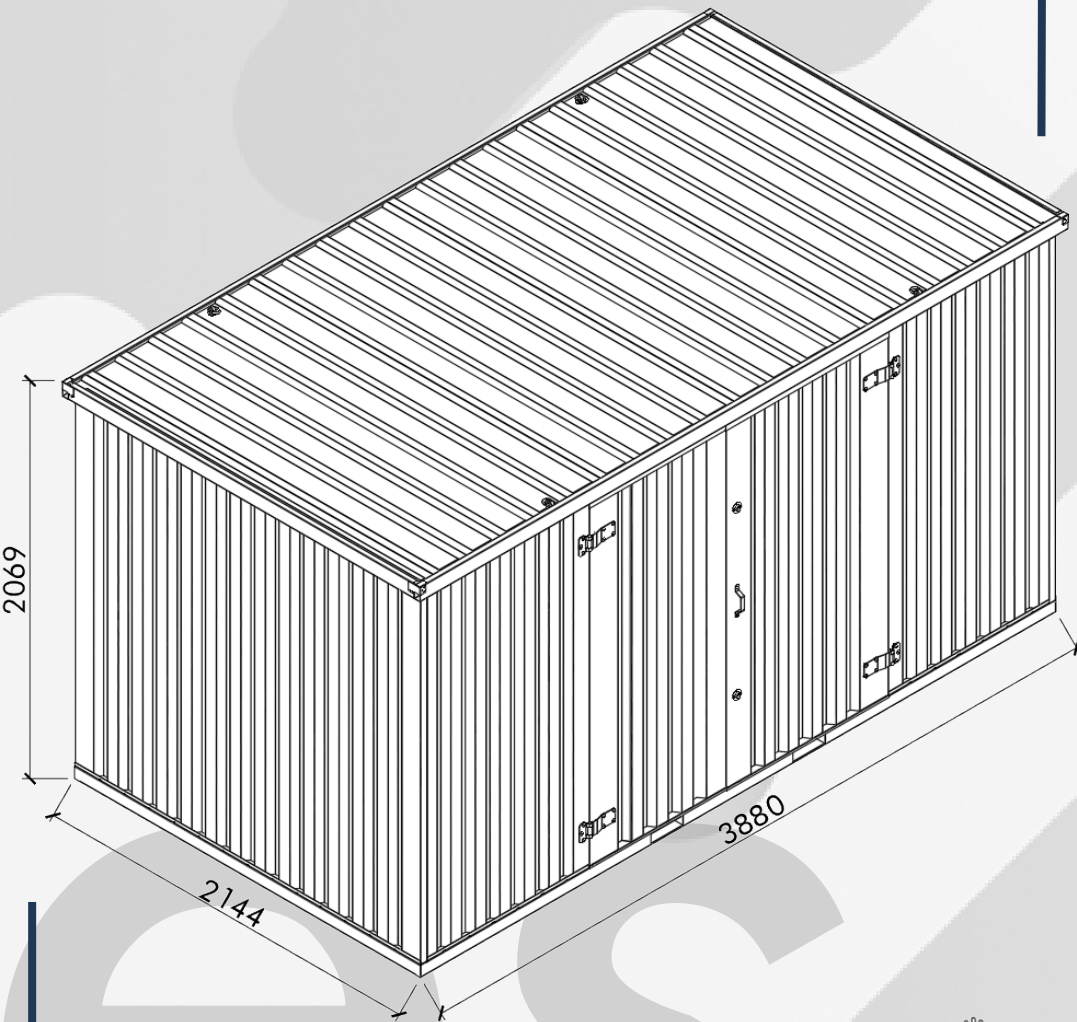
ST-DL 215300
from X.XXX,00 € +VAT



ST-SS 215400
from X.XXX,00 € +VAT



ST-DS 215400
from X.XXX,00 € +VAT



ST-DL 215400
from X.XXX,00 € +VAT

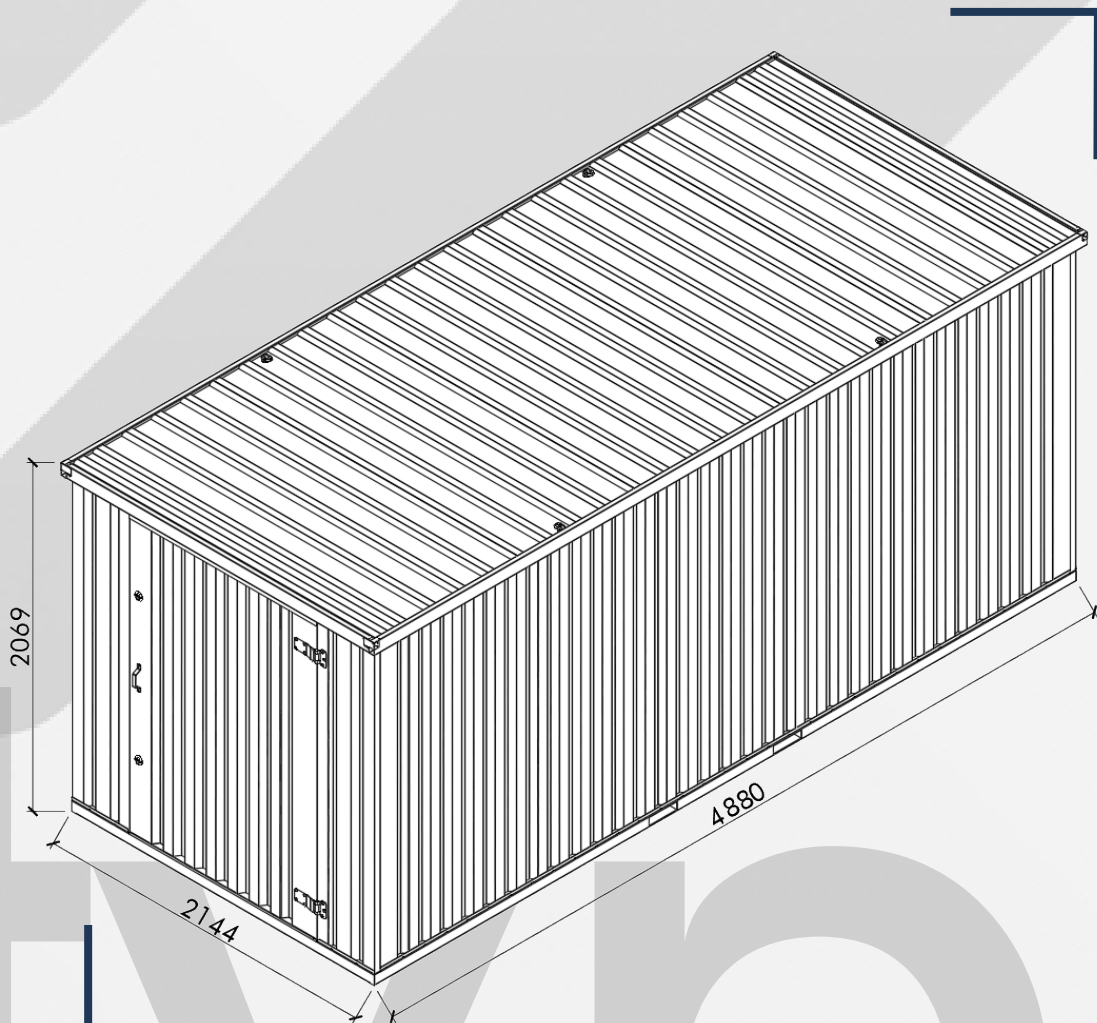
Shed

Shed

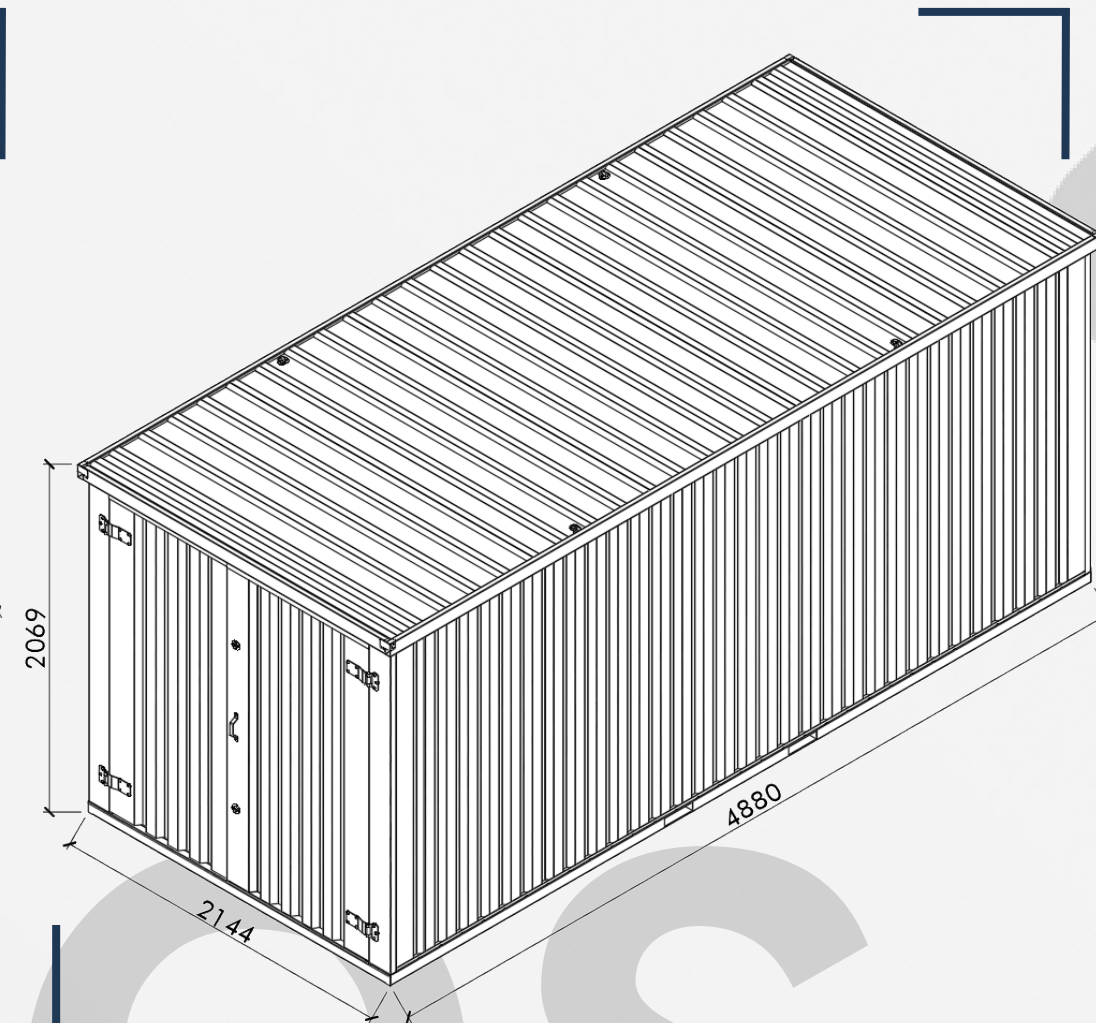
steel ideas.

05

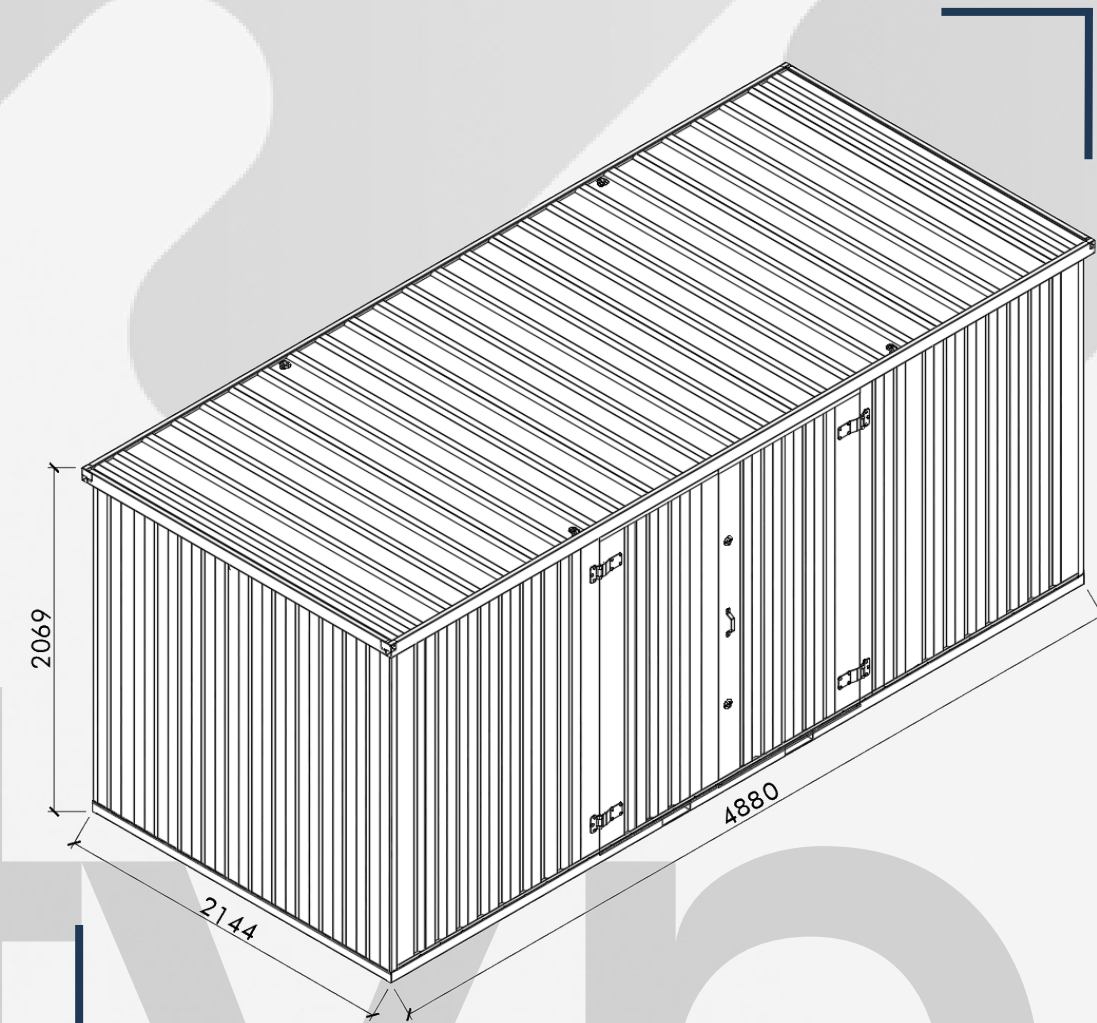
06



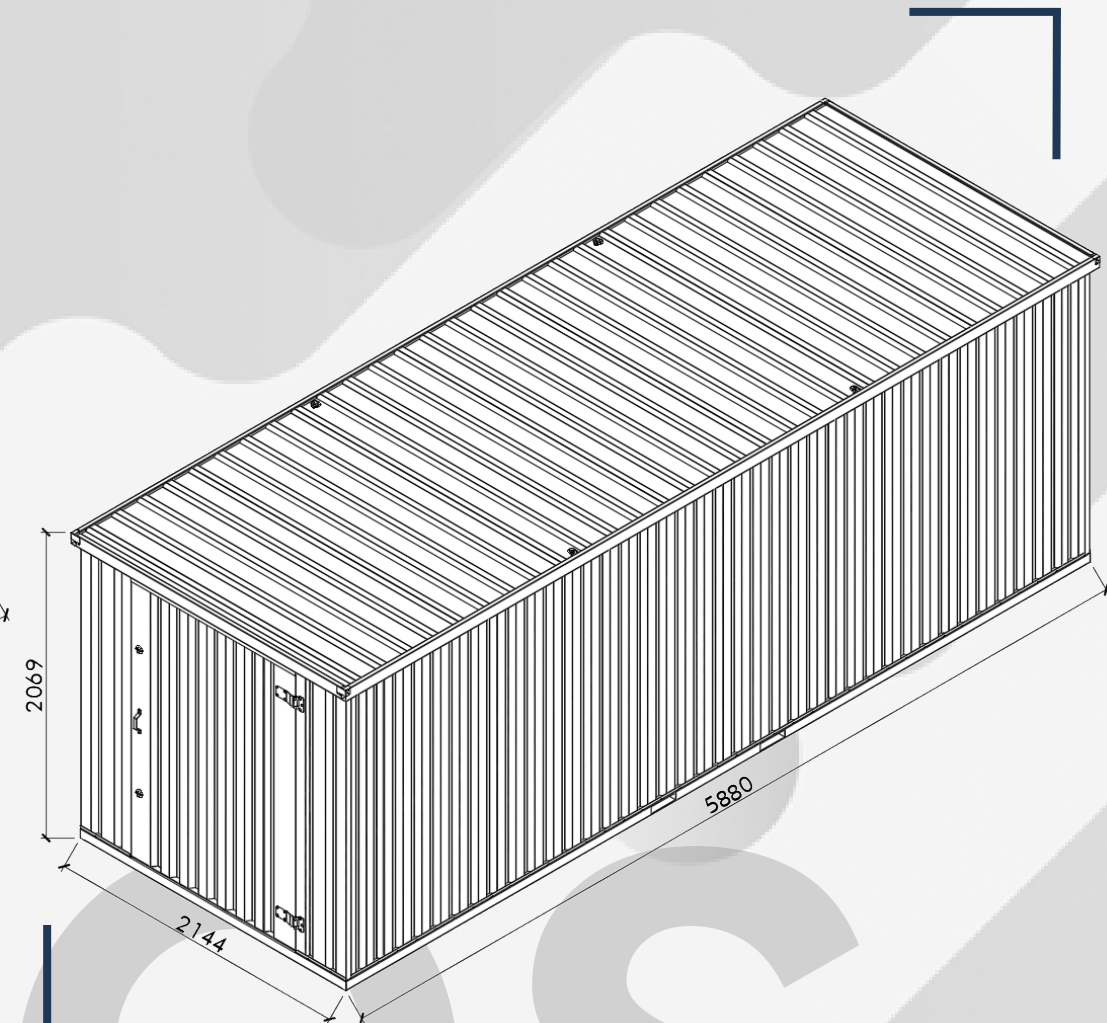
ST-SS 215500
from X.XXX,00 € +VAT



ST-DS 215500
from X.XXX,00 € +VAT



ST-DL 215500
from X.XXX,00 € +VAT



ST-SS 215600
from X.XXX,00 € +VAT

Shed

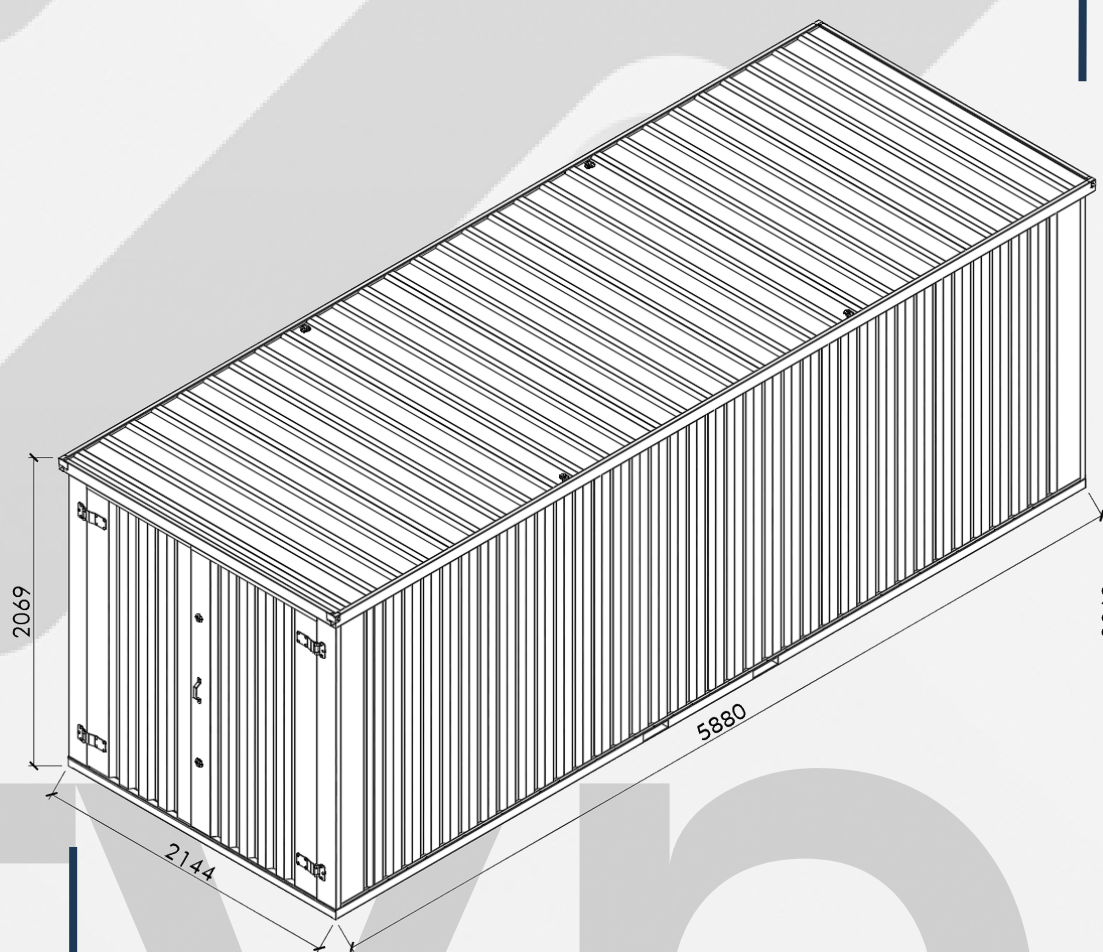
steel ideas.

Shed

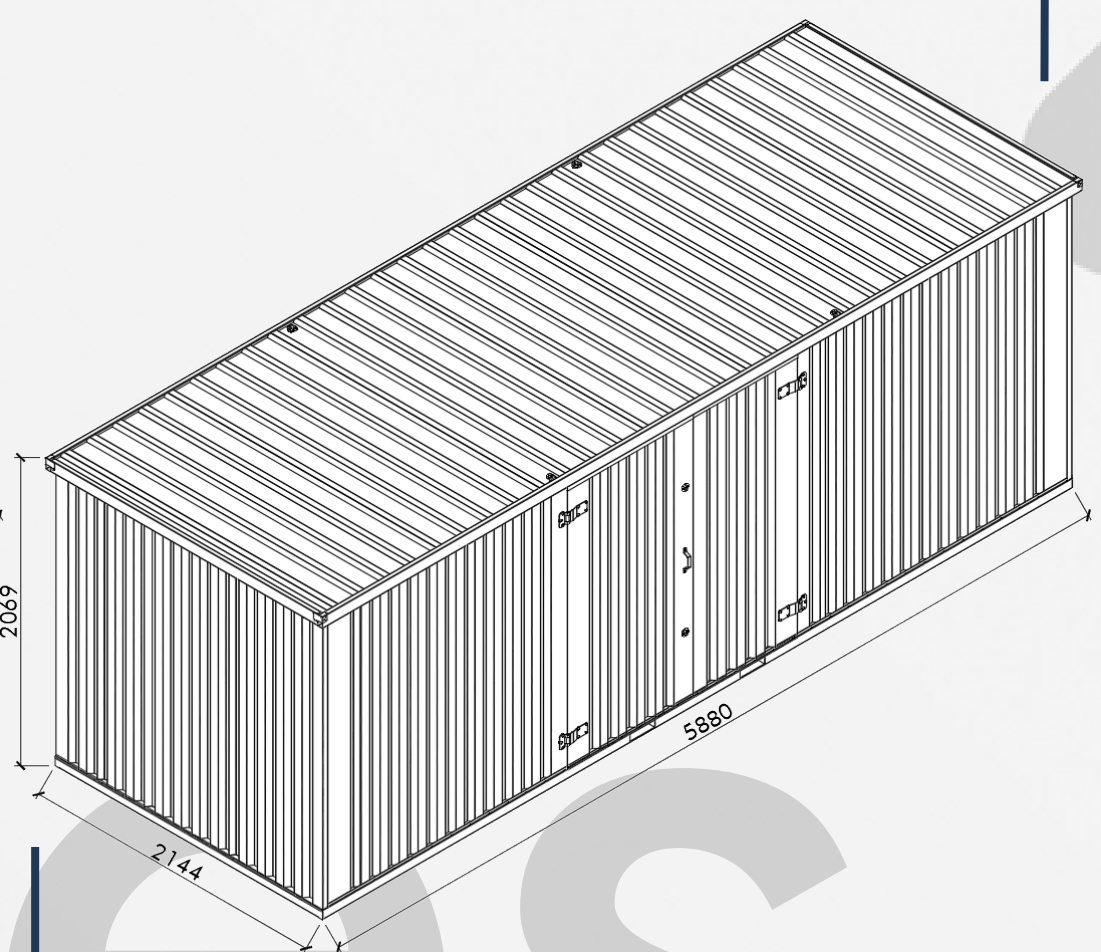
07

08

Shed



ST-DS 215600
from X.XXX,00 € +VAT

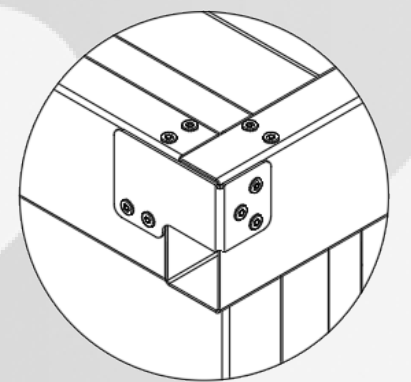


ST-DL 215600
from X.XXX,00 € +VAT

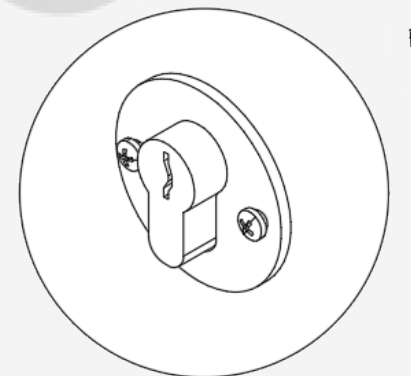
steel ideas.

Shed

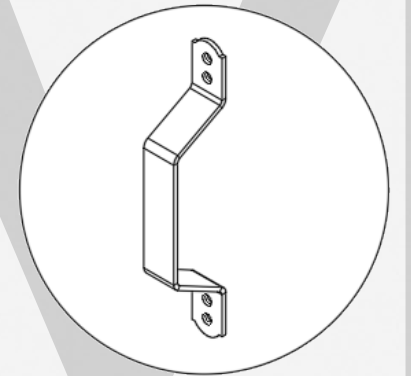
steel ideas.



reinforced corner



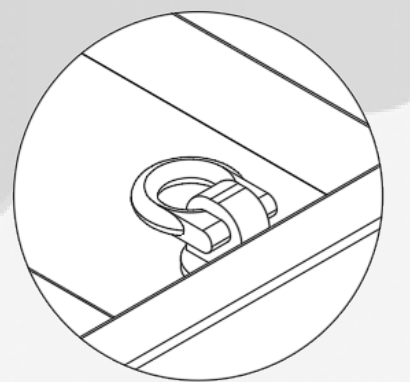
double door cylinder



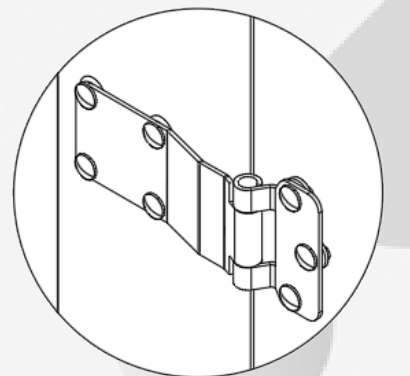
pull handle



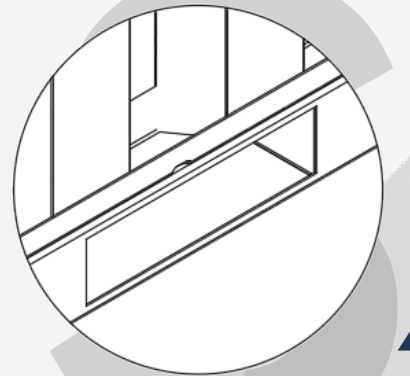
Lightweight yet highly durable and safe



lifting eye



double hinge



forklift pocket

10



steel ideas.



steel ideas.

12



gallery 13

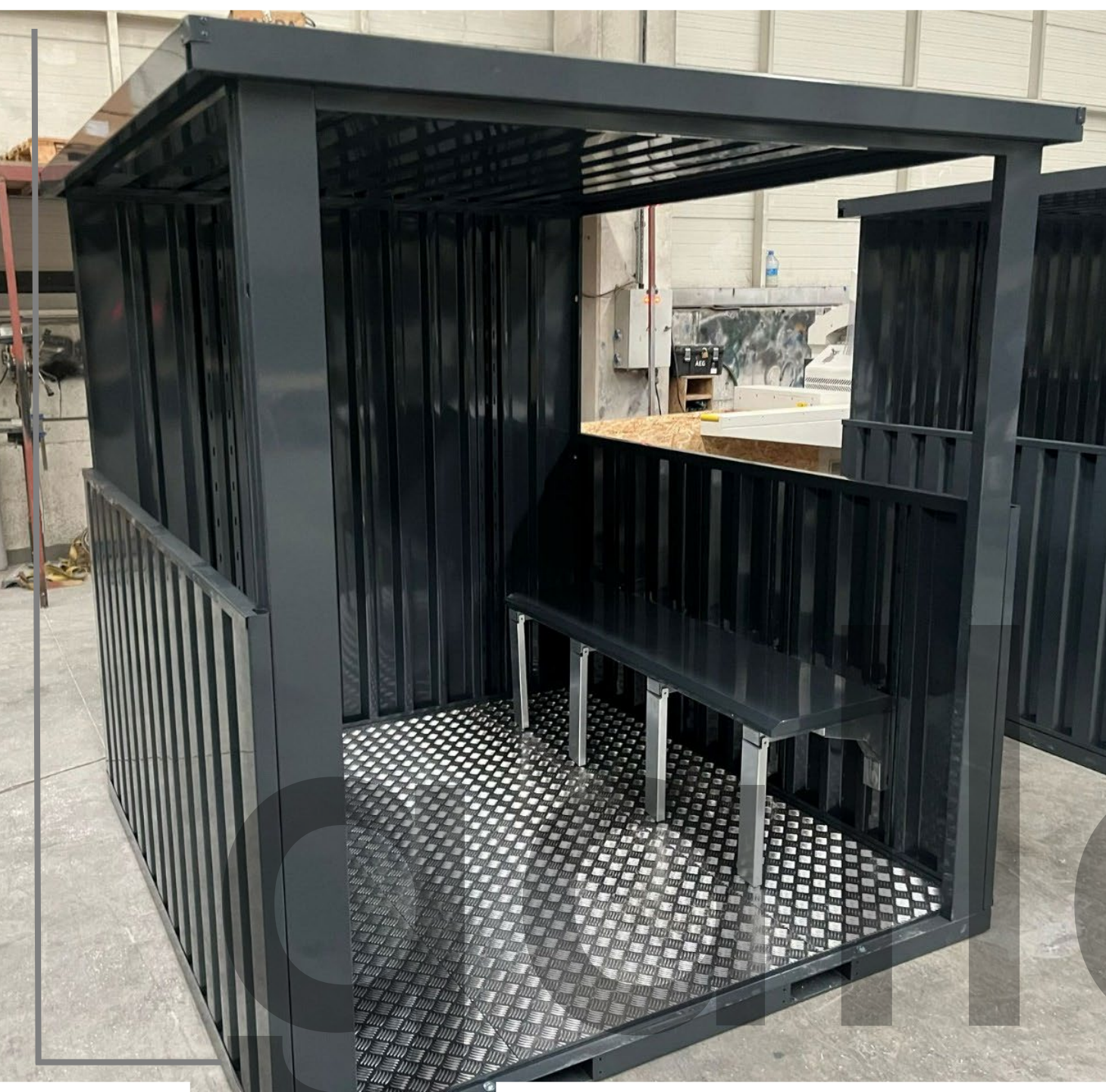
steel ideas.



gallery 14

steel ideas.





steel ideas.

steel ideas.

gallery 18



aselsan

aselsanNET

AFAD[®]



Tavuk Dünyası

DORGE

UMS

references

19

steel ideas.

take note

20

steel ideas.

steel ideas.