

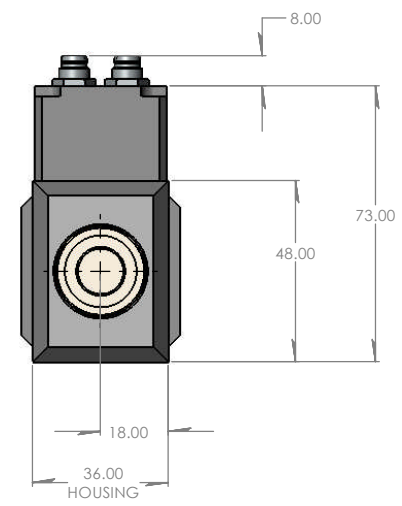
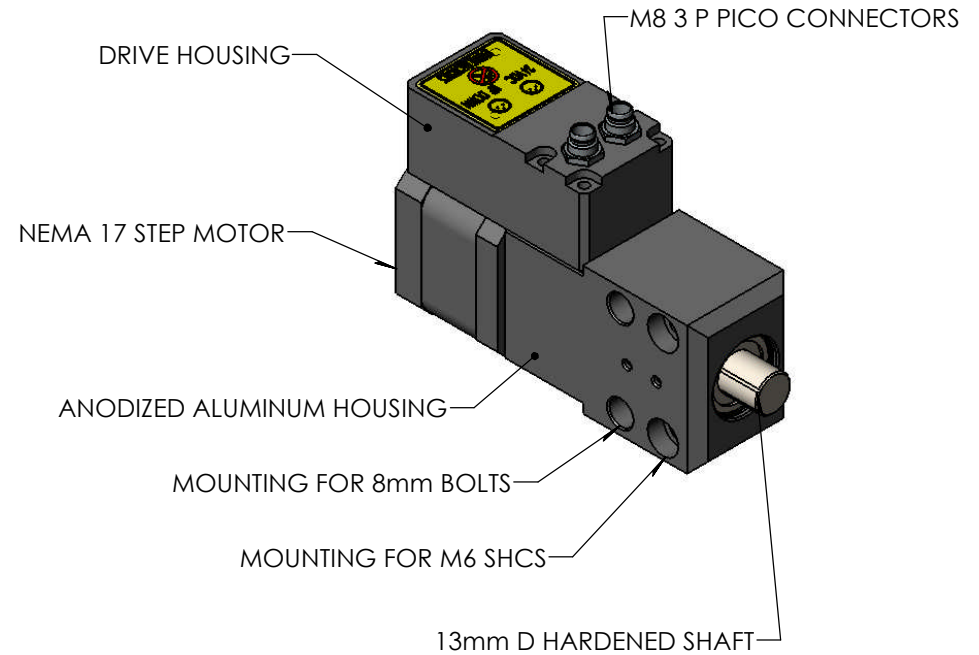
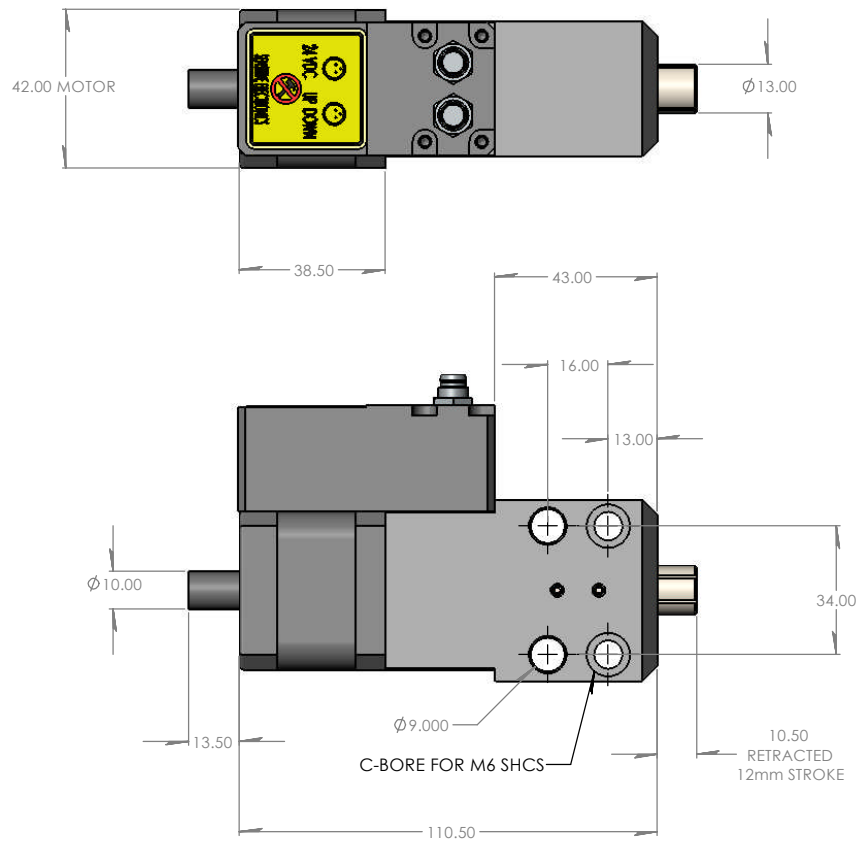
**MOTOR, POWER RATING (WATTS), VOLTAGE, CURRENT (MAX AND OPERATING)**

MOTOR SIZE: NEMA 17 (42mm FRAME)  
 RATED AMPS: ~1.0A WHEN MOVING, ~0.3A IDLE  
 INPUT VOLTAGE: 9-30VDC (24VDC TYPICAL)

12mm RETRACT TIME: 1000MS  
 12mm EXTEND TIME: 375MS

CONNECTIONS:  
 MICRO 3-1 POWER (+24VDC, OVDC)  
 MICRO 3-2 SIGNAL

SIDE LOAD = 18KGF  
 STROKE = 12mm  
 RATED THRUST FORCE RETRACTING = 7 KGF



THIS PRINT SUPERSEDES ANY OTHER DOCUMENT INCLUDING ELECTRONIC MODELS SUPPLIED BY MECHATRONIC TECHNIQUES. THE SPECIFICATIONS AND DATA ON THIS PRINT ARE BELIEVED TO BE ACCURATE AND RELIABLE. HOWEVER, IT IS THE RESPONSIBILITY OF THE PRODUCT USER TO DETERMINE THE SUITABILITY OF THE COMPONENT FOR THEIR SPECIFIC APPLICATION. WHILE DEFECTIVE PARTS WILL BE REPLACED WITHOUT CHARGE WITHIN THE PRODUCT WARRANTY PERIOD, NO LIABILITY IS ACCEPTED BEYOND SUCH REPLACEMENT.

**PROPRIETARY AND CONFIDENTIAL**  
 THE INFORMATION CONTAINED IN THIS DRAWING IS THE SOLE PROPERTY OF MECHATRONIC TECHNIQUES. ANY REPRODUCTION IN PART OR AS A WHOLE WITHOUT THE WRITTEN PERMISSION OF MECHATRONIC TECHNIQUES IS PROHIBITED.

		UNLESS OTHERWISE SPECIFIED: DIMENSIONS ARE IN MILLIMETERS		NAME		DATE		MECHATRONIC TECHNIQUES INC.	
		TOLERANCES:		DRAWN		TEC		TITLE:	
		ANGULAR $\pm 0.50$ DEG		CHECKED				CONVEYOR STOPPER	
		NO DECIMAL PLACE $+/-1.500$		ENG APPR.				SIZE DWG. NO.	
		ONE PLACE DECIMAL $+/-0.750$		MFG APPR.				C LT7101031 LF	
		TWO PLACE DECIMAL $+/-0.380$		Q.A.				REV	
		THREE PLACE DECIMAL $+/-0.127$		COMMENTS:				SCALE: 1:1	
		INTERPRET GEOMETRIC TOLERANCING PER:		FINISH				WEIGHT:	
		MATERIAL:		APPLICATION		DO NOT SCALE DRAWING		SHEET 1 OF 1	
NEXT ASSY		USED ON							