

THIS PRINT SUPERSEDES ANY OTHER DOCUMENT INCLUDING ELECTRONIC MODELS SUPPLIED BY MECHATRONIC TECHNIQUES. THE SPECIFICATIONS AND DATA ON THIS PRINT ARE BELIEVED TO BE ACCURATE AND RELIABLE. HOWEVER, IT IS THE RESPONSIBILITY OF THE PRODUCT USER TO DETERMINE THE SUITABILITY OF THE COMPONENT FOR THEIR SPECIFIC APPLICATION. WHILE DEFECTIVE PARTS WILL BE REPLACED WITHOUT CHARGE WITHIN THE PRODUCT WARRANTY PERIOD, NO LIABILITY IS ACCEPTED BEYOND SUCH REPLACEMENT.

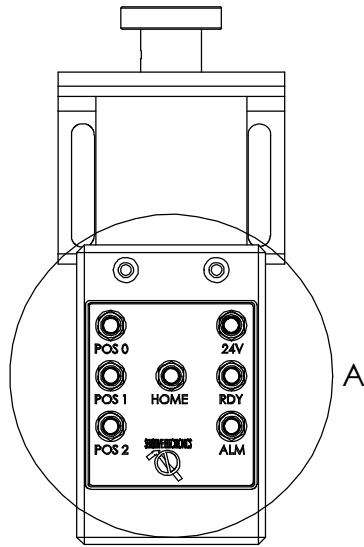
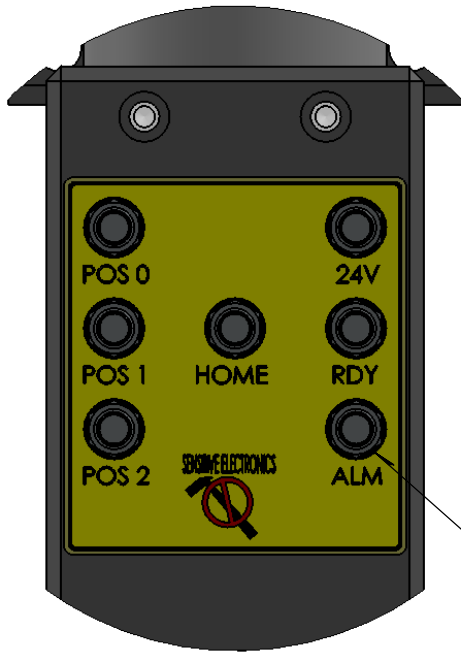
PROPRIETARY AND CONFIDENTIAL
 THE INFORMATION CONTAINED IN THIS DRAWING IS THE SOLE PROPERTY OF MECHATRONIC TECHNIQUES. ANY REPRODUCTION IN PART OR AS A WHOLE WITHOUT THE WRITTEN PERMISSION OF MECHATRONIC TECHNIQUES IS PROHIBITED.

		UNLESS OTHERWISE SPECIFIED: DIMENSIONS ARE IN MILLIMETERS		NAME		DATE		MECHATRONIC TECHNIQUES INC.	
		TOLERANCES:		DRAWN		TEC		TITLE:	
		ANGULAR ±0.50 DEG		CHECKED				3 POSITION DIVERTER	
		NO DECIMAL PLACE +/1.500		ENG APPR.				SIZE DWG. NO.	
		ONE PLACE DECIMAL +/0.750		MFG APPR.				C 7101025	
		TWO PLACE DECIMAL +/0.381		Q.A.				REV	
		THREE PLACE DECIMAL +/0.127		COMMENTS:				SCALE: 1:1 WEIGHT: SHEET 1 OF 2	
		INTERPRET GEOMETRIC TOLERANCING PER:		FINISH					
		MATERIAL:		APPLICATION		DO NOT SCALE DRAWING			
		NEXT ASSY		USED ON					

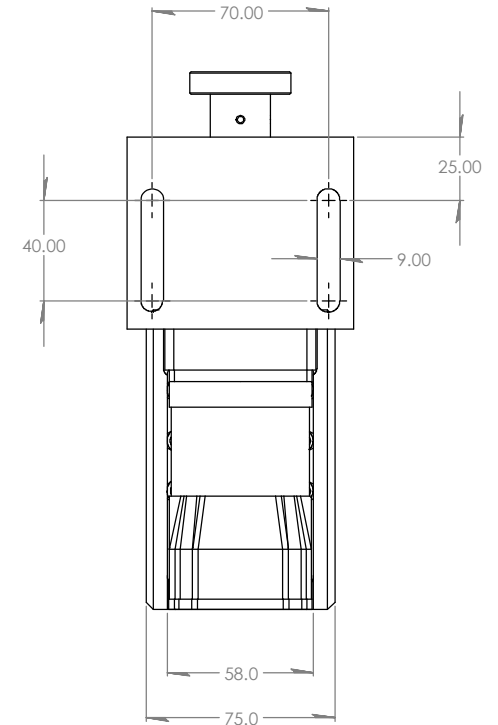
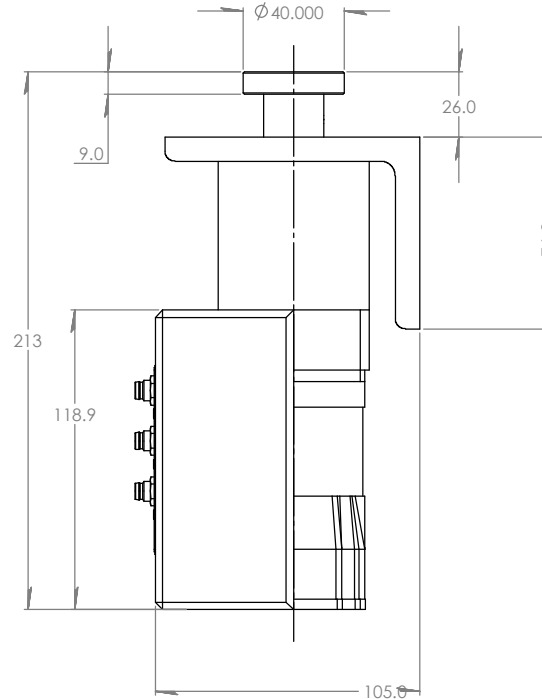
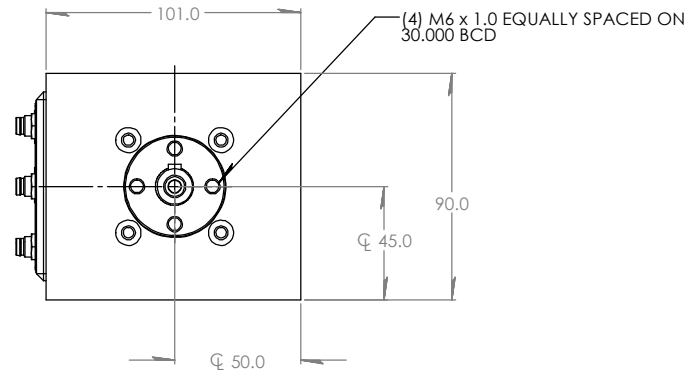
MOTOR, POWER RATING (WATTS), VOLTAGE, CURRENT (MAX AND OPERATING)

MOTOR SIZE: NEMA23 (56mm FRAME)
 MOTOR RATED/MAX SPEED: 3500/5000 +/-10% RPM
 MOTOR RATED TORQUE: 0.37NM @ 3500 RPM
 APPLICATION AMPS: 0.1A IDLE, 0.4A RUNNING, 1.0A MAX
 INPUT POWER: 12-24VDC, 8 AMPS MAX (CAN BE SOFTWARE LIMITED)
 EST. MOVE TIME: 45 DEG. IN ~600 MILLISECONDS
 GEAR BOX RATIO: 40:1
 OUTPUT TORQUE: 14.8NM
 HIGHER RATIOS AVAILABLE
 PROGRAMMING: HOMING & MULTIPLE POSITIONS
 HOMING:
 EDIT FORCE, SPEED AND DIRECTION VIA TEXT FILE ON INTEGRATED USB FLASH DRIVE
 POSITIONS:
 EDIT POSITIONS AND HOMING DIRECTION VIA TEXT FILE ON THE INTEGRATED USB FLASH DRIVE
 FILE EDITING CABLE: USB.
 DRAWING NUMBER FOR DOCUMENT: 7101025
 CONNECTIONS:
 MICRO 3-1 POSITION 1
 MICRO 3-2 POSITION 2
 MICRO 3-3 POSITION 3
 MICRO 3-4 HOME
 MICRO 3-5 READY
 MICRO 3-6 OUTPUT (ALARM) OPTIONAL
 MICRO 3-7 24VDC SUPPLY

INTERFACE PLATE IS NOT SEALED



(7) CONNECTORS
MALE M8 3P PICO



**DETAIL A
SCALE 2 : 1.5**

THIS PRINT SUPERSEDES ANY OTHER DOCUMENT INCLUDING ELECTRONIC MODELS SUPPLIED BY MECHATRONIC TECHNIQUES THE SPECIFICATIONS AND DATA ON THIS PRINT ARE BELIEVED TO BE ACCURATE AND RELIABLE. HOWEVER, IT IS THE RESPONSIBILITY OF THE PRODUCT USER TO DETERMINE THE SUITABILITY OF THE COMPONENT FOR THEIR SPECIFIC APPLICATION. WHILE DEFECTIVE PARTS WILL BE REPLACED WITHOUT CHARGE WITHIN THE PRODUCT WARRANTY PERIOD, NO LIABILITY IS ACCEPTED BEYOND SUCH REPLACEMENT.

PROPRIETARY AND CONFIDENTIAL
 THE INFORMATION CONTAINED IN THIS DRAWING IS THE SOLE PROPERTY OF MECHATRONIC TECHNIQUES. ANY REPRODUCTION IN PART OR AS A WHOLE WITHOUT THE WRITTEN PERMISSION OF MECHATRONIC TECHNIQUES IS PROHIBITED.

		UNLESS OTHERWISE SPECIFIED: DIMENSIONS ARE IN MILLIMETERS		NAME		DATE		MECHATRONIC TECHNIQUES INC.	
		TOLERANCES:		DRAWN		TEC		TITLE:	
		ANGULAR ±0.50 DEG		CHECKED				3 POSITION DIVERTER	
		NO DECIMAL PLACE ±1.500		ENG APPR.				SIZE DWG. NO.	
		ONE PLACE DECIMAL ±0.750		MFG APPR.				C 7101025	
		TWO PLACE DECIMAL ±0.381		Q.A.				REV	
		THREE PLACE DECIMAL ±0.127		COMMENTS:				SCALE: 1:2 WEIGHT:	
		INTERPRET GEOMETRIC TOLERANCING PER:						SHEET 2 OF 2	
		MATERIAL:		FINISH					
NEXT ASSY		USED ON		APPLICATION		DO NOT SCALE DRAWING			