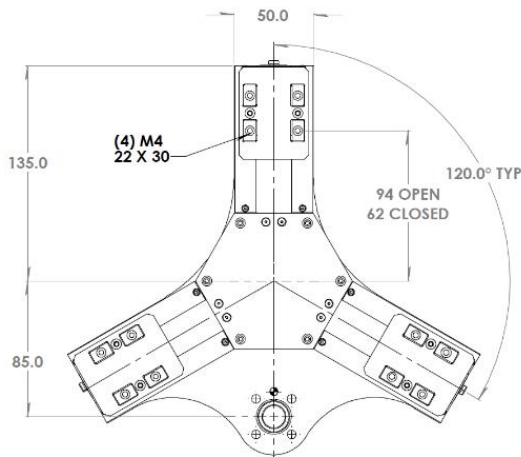
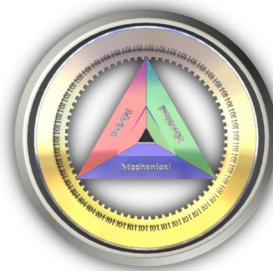


3 Jaw Servo Gripper (Off Center)

Uses your Robot's Auxiliary Servo and Drive



MAXIMUM MASS = 1.70 Kg NOT INCLUDING MOTOR AND CABLES

CARRIAGE MOMENT CAPACITY DIMENSIONED FROM CENTER OF DRIVE 24mm BELOW JAW MOUNTING SURFACE.

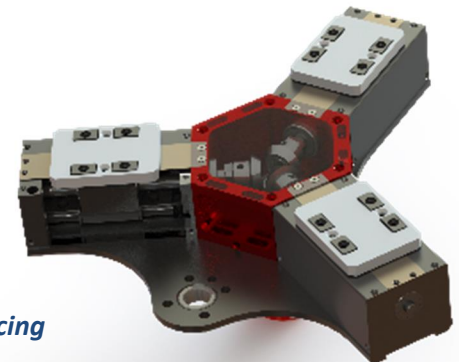
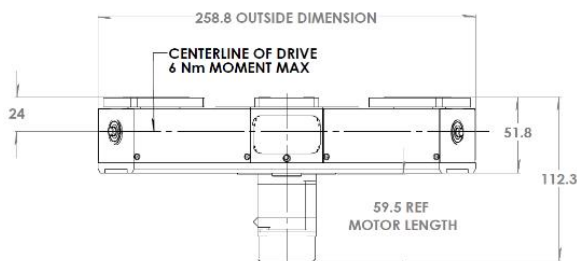
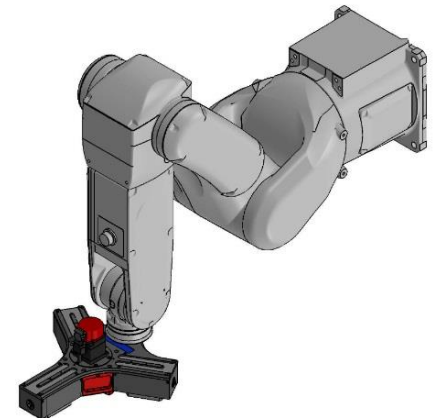
PITCH = 6 Nm
YAW = 6 Nm
ROLL = 6 Nm

RATED ARM FORCE = 10.0N

**MAX INPUT SPEED = 1500 RPM
MAX ARM LINEAR SPEED = 50mm/SEC**

ARM REPEATABILITY = 0.0150mm

ESTIMATED TORQUE TO PRODUCE 10N FORCE ON EACH ARM = 0.015Nm



For more information on specifications or pricing please email us at support@mymechtech.com

