

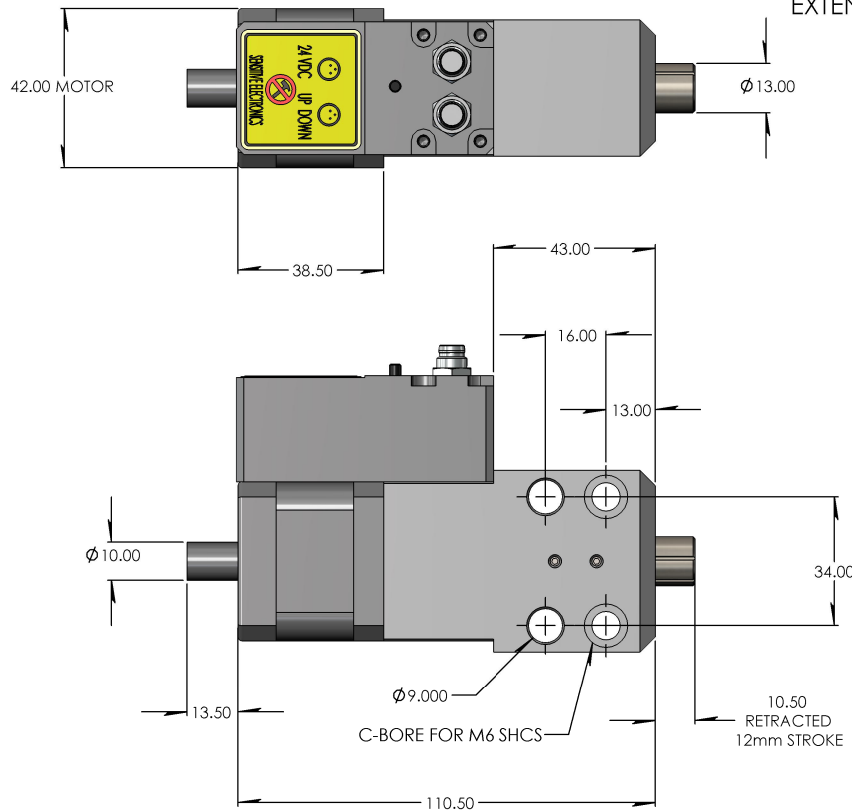
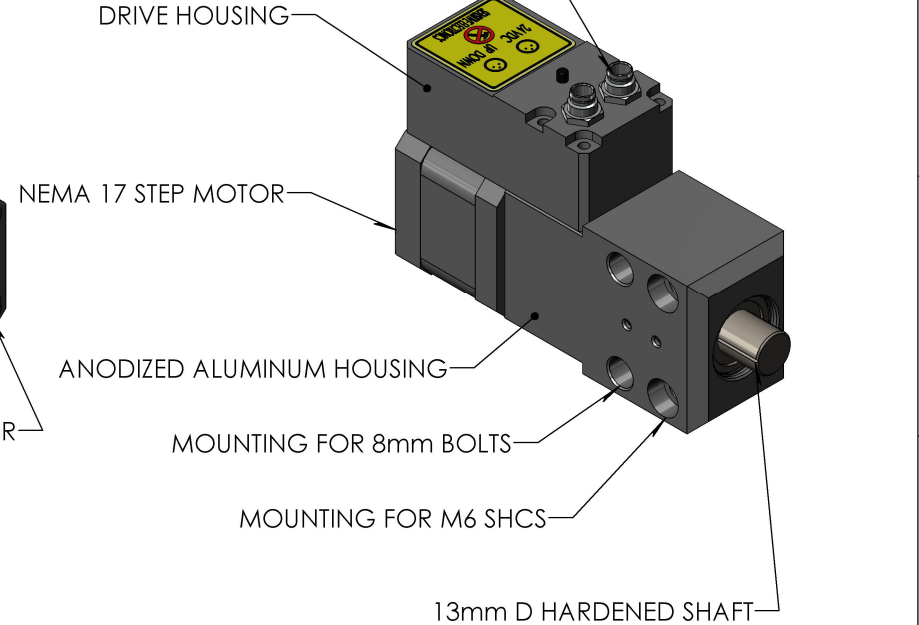
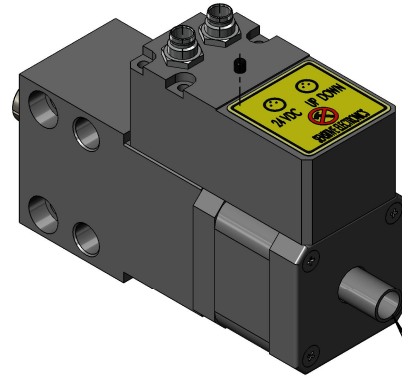
MOTOR, POWER RATING (WATTS), VOLTAGE, CURRENT (MAX AND OPERATING)

MOTOR SIZE: NEMA 17 (42mm FRAME)
 RATED AMPS: ~1.0A WHEN MOVING, ~0.3A IDLE
 INPUT VOLTAGE: 9-30VDC (24VDC TYPICAL)

12mm RETRACT TIME: 1000MS
 12mm EXTEND TIME: 375MS

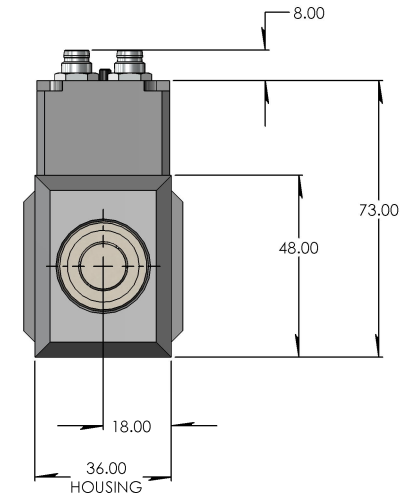
CONNECTIONS:
 MICRO 3-1 POWER (+24VDC, OVDC)
 MICRO 3-2 SIGNAL

SIDE LOAD = 18KGF
 STROKE = 12mm
 RATED THRUST FORCE RETRACTING = 7 KGF



PRICING

1-19	\$900
20-49	\$775
50-99	\$695
100+	\$640



THIS PRINT SUPERSEDES ANY OTHER DOCUMENT INCLUDING ELECTRONIC MODELS SUPPLIED BY MECHATRONIC TECHNIQUES. THE SPECIFICATIONS AND DATA ON THIS PRINT ARE BELIEVED TO BE ACCURATE AND RELIABLE. HOWEVER, IT IS THE RESPONSIBILITY OF THE PRODUCT USER TO DETERMINE THE SUITABILITY OF THE COMPONENT FOR THEIR SPECIFIC APPLICATION. WHILE DEFECTIVE PARTS WILL BE REPLACED WITHOUT CHARGE WITHIN THE PRODUCT WARRANTY PERIOD, NO LIABILITY IS ACCEPTED BEYOND SUCH REPLACEMENT.

PROPRIETARY AND CONFIDENTIAL
 THE INFORMATION CONTAINED IN THIS DRAWING IS THE SOLE PROPERTY OF MECHATRONIC TECHNIQUES. ANY REPRODUCTION IN PART OR AS A WHOLE WITHOUT THE WRITTEN PERMISSION OF MECHATRONIC TECHNIQUES IS PROHIBITED.

		UNLESS OTHERWISE SPECIFIED:		NAME		DATE		MECHATRONIC TECHNIQUES INC.	
		DIMENSIONS ARE IN MILLIMETERS		DRAWN		TFC		TITLE:	
		TOLERANCES:		CHECKED				CONVEYOR STOPPER	
		ANGULAR ± 0.50 DEG		ENG APPR.				SIZE DWG. NO.	
		NO DECIMAL PLACE ± 1.500		MFG APPR.				C LT7101031 LF	
		ONE PLACE DECIMAL ± 0.750		D.A.				REV	
		TWO PLACE DECIMAL ± 0.380		COMMENTS:				SCALE: 1:1	
		THREE PLACE DECIMAL ± 0.127		APPLICATION		DO NOT SCALE DRAWING		WEIGHT:	
NEXT ASSY		USED ON						SHEET 1 OF 1	