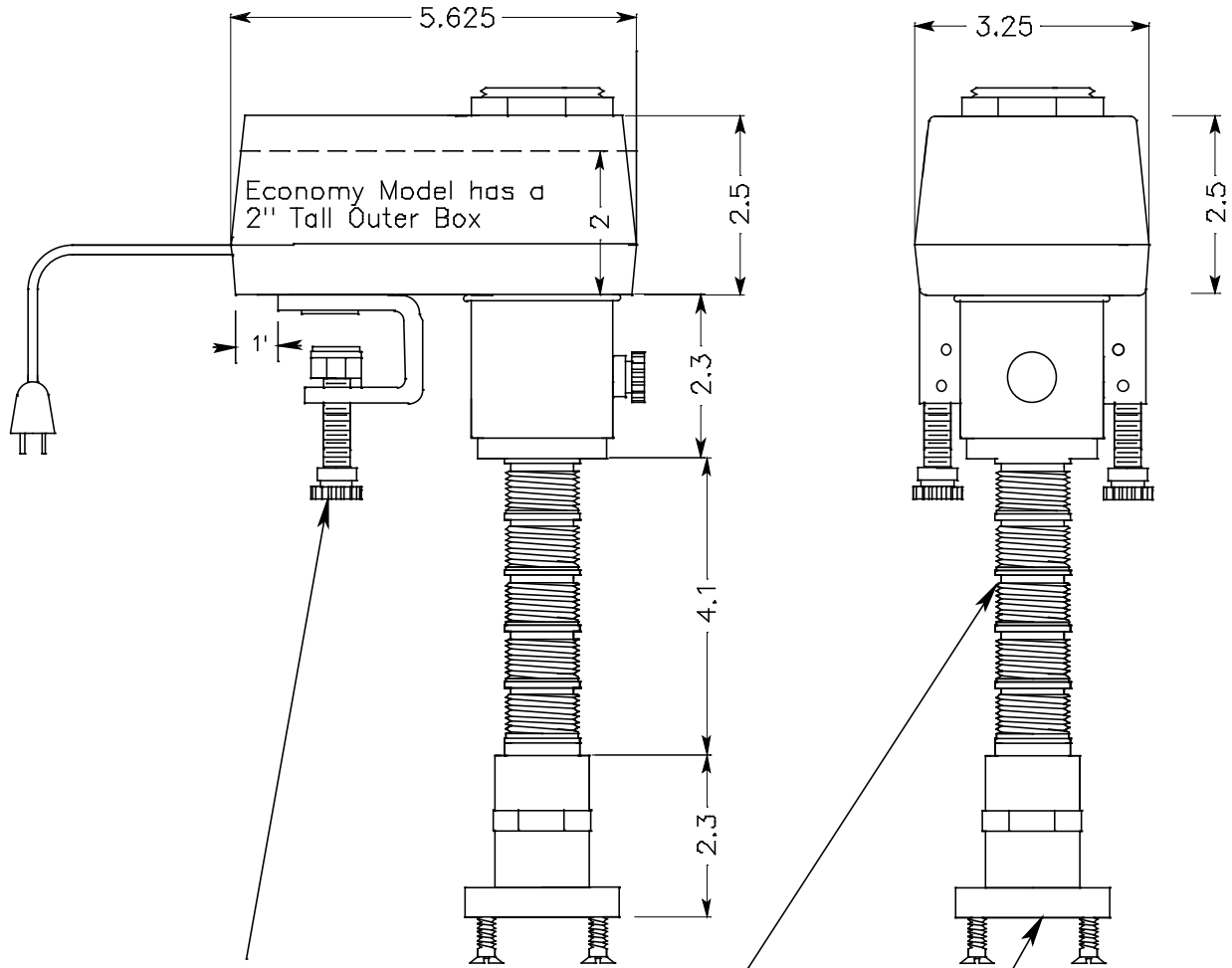


# Sea Sweep Propeller Pump Oscillator

Power Cord for Propeller Pump (Tunze Streams) is routed outside the Female adapter and then is routed inside the Black threaded pipe, Black coupler, slotted nipple and out the top. Cord is also protected with the supplied nylon convoluted sheath.



Bracket Shown is for perimeter bracing, acrylic & rimless tanks, it can be adjusted from .375 to 1 inch. Bracket for Plastic Framed Tanks (Not Shown) ranges from .375 to 1.5 inches

Adjustable from 6" to 3/4" by cutting threaded pipe.

Mounting disc for Tunze Stream power head