



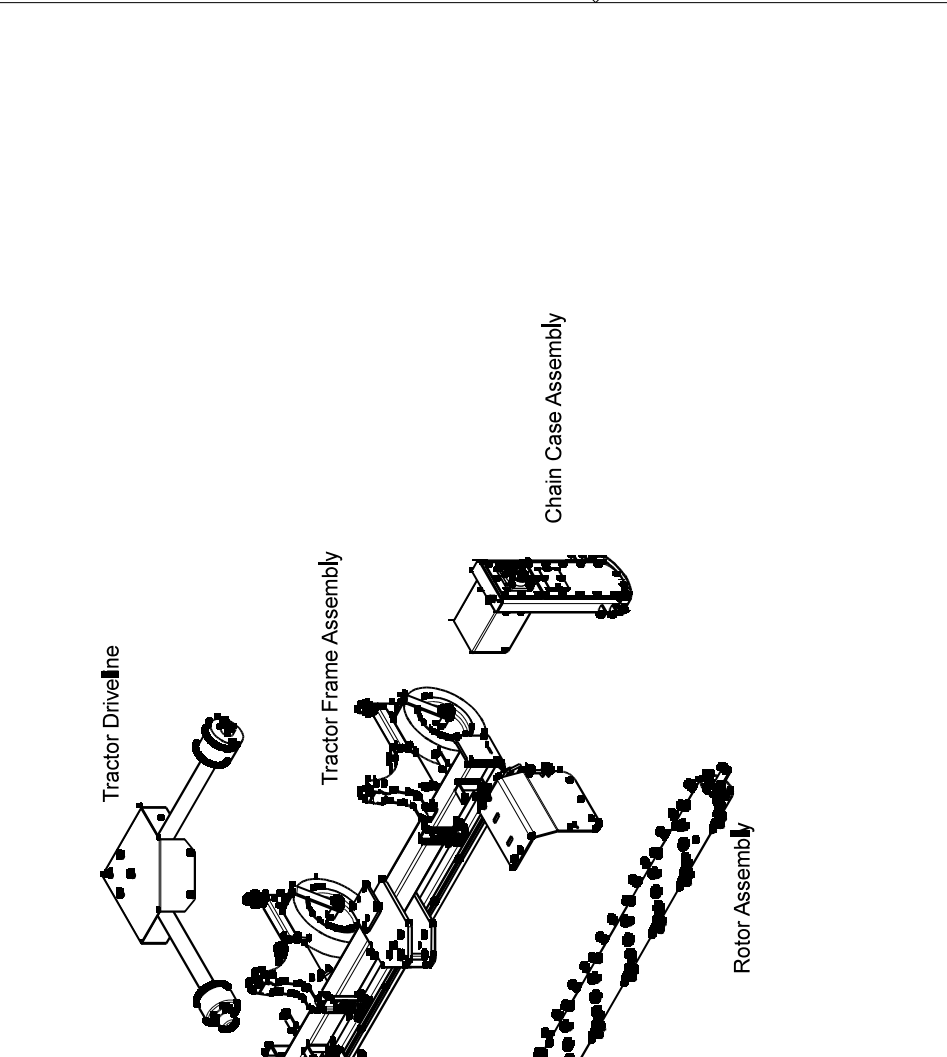
Raptor

SOIL PROCESSOR

Tractor Version Parts

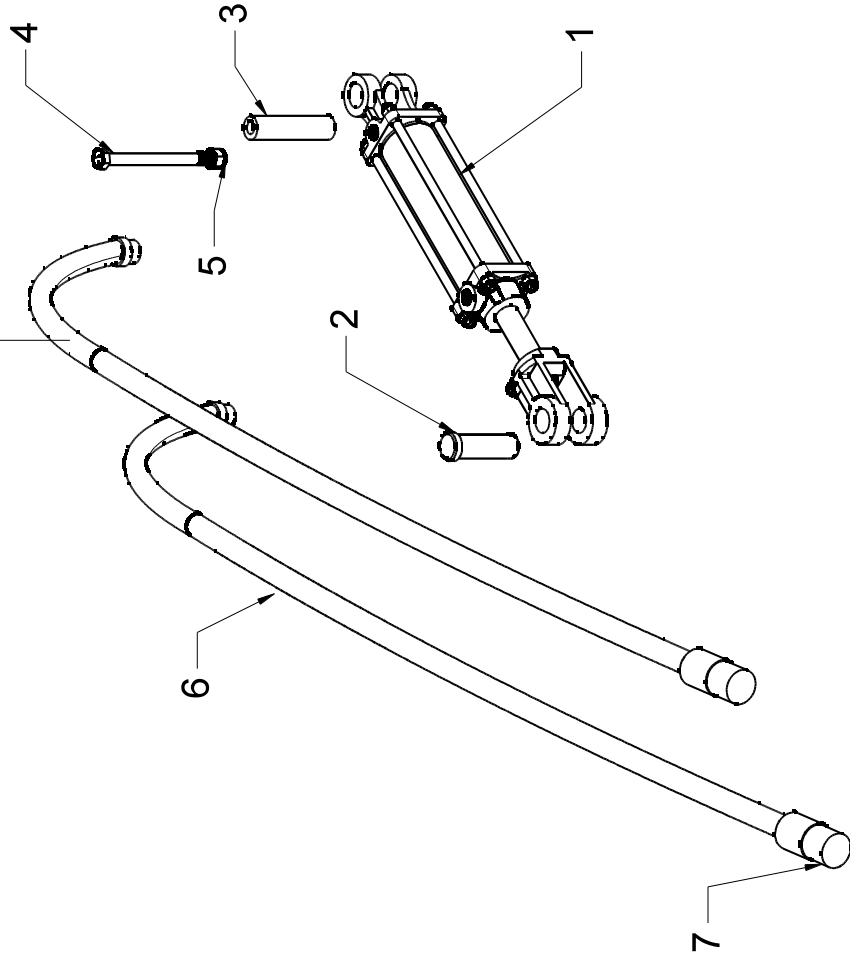


| REVISIONS | | | |
|-----------|-----|-------------|------|
| ZONE | REV | DESCRIPTION | DATE |
| | | | |



| | | | | |
|-------------------------------------------------------------------------------------------------------------------|--------------|-----------------|-------------------------------------------------------------|------------------------|
| UNLESS OTHERWISE NOTED TOLERANCES ARE AS FOLLOWS .XX= ± .XXX= ± BENDS= ± 1° MATERIAL | DRAWN MWO | DATE 1/12/24 | Nortec Equipment LLC 5311 Fuller St. Weston, WI 54476 | |
| | CHECKED | | Tractor Raptor Assembly | |
| | QA | | SIZE A | REV |
| | MFG | | FSCM NO. | DWG NO. |
| | APPROVED | | SCALE | SHEET 1 OF 1 |

| REVISIONS | | | |
|-----------|-----|-------------|------|
| ZONE | REV | DESCRIPTION | DATE |
| | | | |



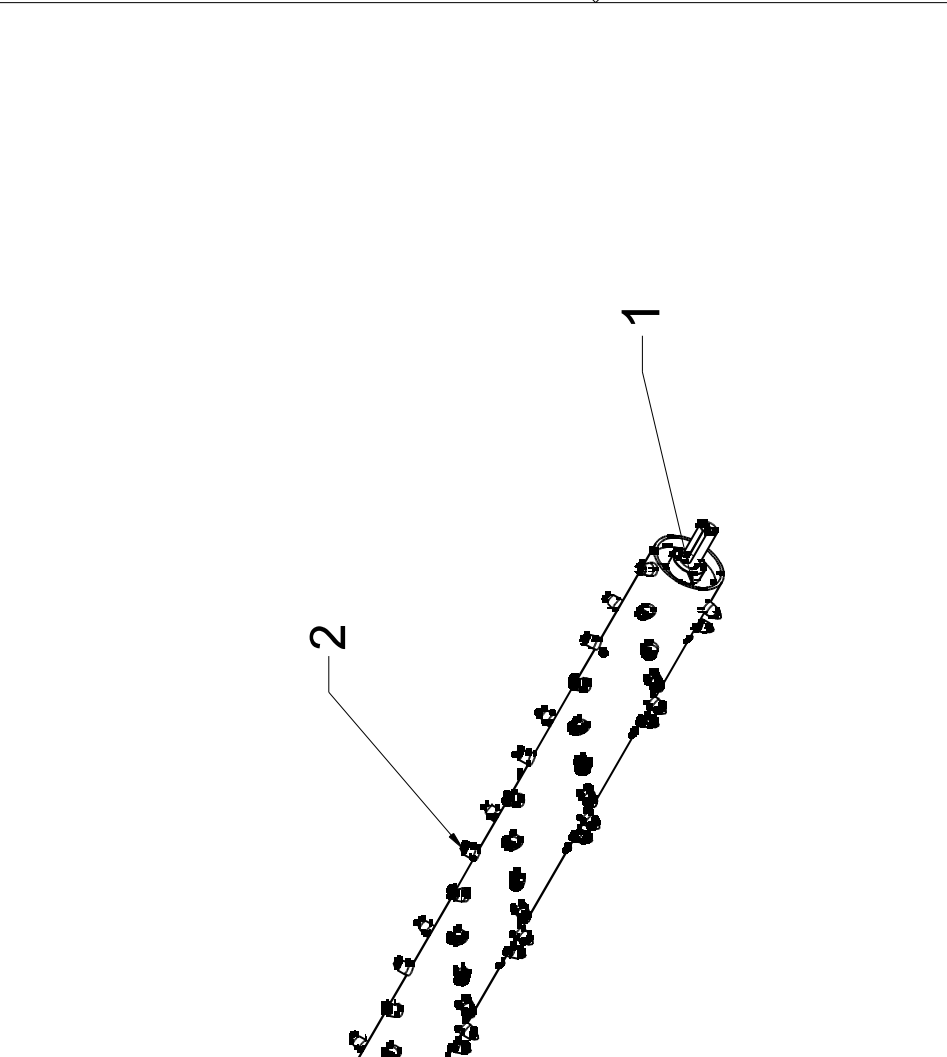
| | | | | |
|------------------------------------------------------------------------------------------------------------|-----------------|-----------------|-------------------------------------------------------------|--------------|
| UNLESS OTHERWISE NOTED TOLERANCES ARE AS FOLLOWS .XX= ± .XXX= ± BENDS= ± 1° MATERIAL | DRAWN MWO | DATE 1/12/24 | Nortec Equipment LLC 5311 Fuller St. Weston, WI 54476 | |
| | CHECKED QA | | TRACTOR HYDRAULIC CYLINDER ASSEMBLY | |
| | MFG APPROVED | | SIZE A | REV |
| | | | FSCM NO. | DWG NO. |
| | | | SCALE | SHEET 1 OF 1 |

Tractor Hydraulic Cylinder Assembly

| Item # | Part Number | QTY | Description |
|--------|-------------|-----|----------------------------------------------|
| 1 | NE-110002 | 1 | Hyd Cyl. 2"bore 6" stroke |
| 2 | NE-110031 | 1 | Hyd Cyl pin 1" |
| 3 | NE-300005 | 1 | Hyd Cyl Pivot Tube |
| 4 | AC226 | 1 | Hex Bolt 1/2-13 x 6.5 Gr5 |
| 5 | CG030 | 1 | Nylock Nut 1/2-13 |
| 6 | NE-110047 | 2 | Hyd Hose 1/4 x 72" -3/8npt male, 1/2npt male |
| 7 | NE-110020 | 2 | Pioneer male 1/2npt |



| REVISIONS | | | |
|-----------|-----|-------------|------|
| ZONE | REV | DESCRIPTION | DATE |
| | | | |



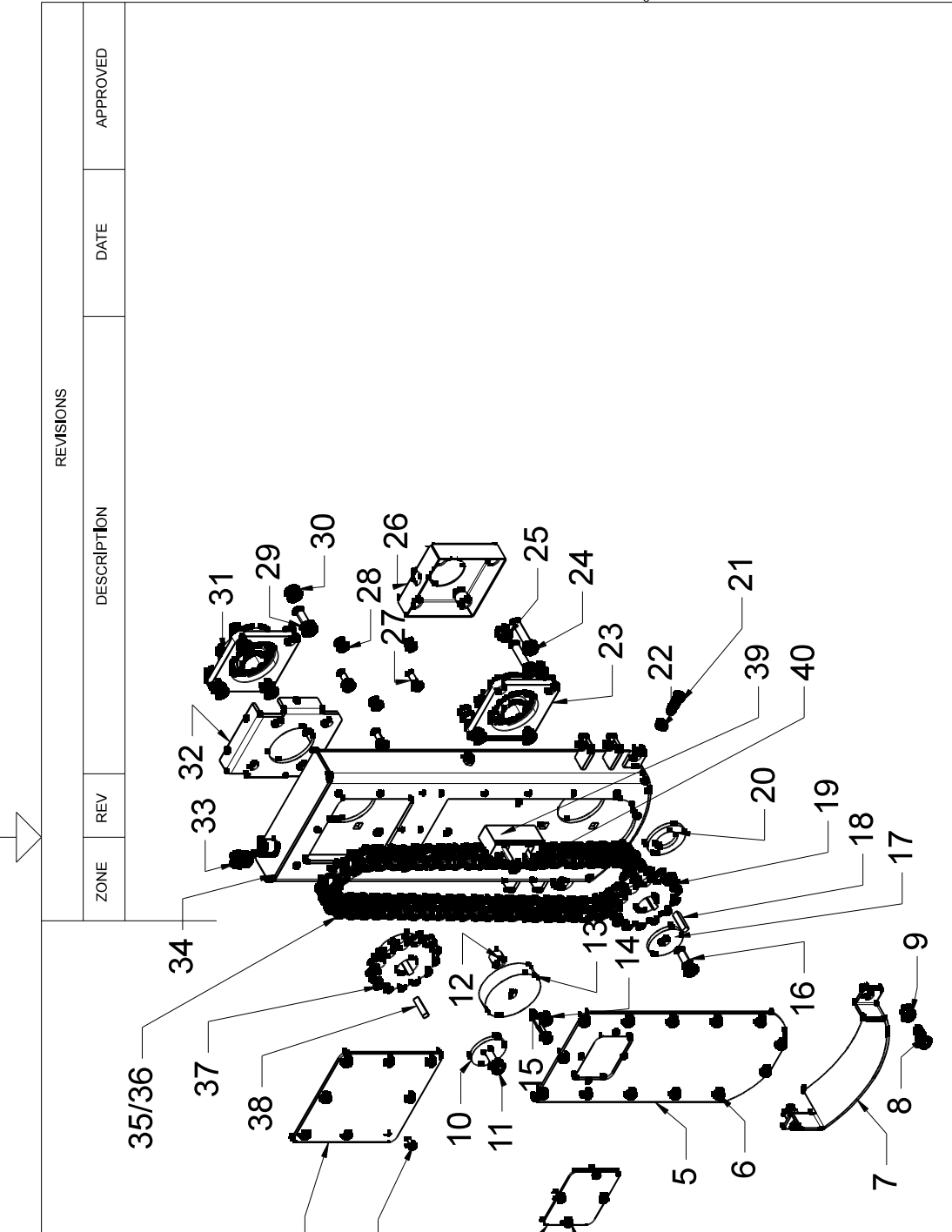
| | | | | |
|-------------------------------------------------------------------------------------------------------------------|--------------|-----------------|-------------------------------------------------------------|------------------------|
| UNLESS OTHERWISE NOTED TOLERANCES ARE AS FOLLOWS .XX= ± .XXX= ± BENDS= ± 1° MATERIAL | DRAWN MWO | DATE 1/10/24 | Nortec Equipment LLC 5311 Fuller St. Weston, WI 54476 | |
| | CHECKED | | ROTOR ASSEMBLY | |
| | QA | | SIZE A | REV |
| | MFG | | FSCM NO. | DWG NO. |
| | APPROVED | | SCALE | SHEET 1 OF 1 |

Rotor Assembly

| Item # | Part Number | QTY | Description |
|--------|-------------|-----|-------------------------|
| 1 | NE-800000-X | 1 | Rotor Welded complete |
| 2 | RPR5 | Y | Agressor Tooth, Weld on |

**Rotor Length=X (ft length)
Y=number teeth**

| 4ft | 5ft | 6ft | 7ft | 8ft | 9FT |
|------|------|-------|-------|------|-------|
| X=4 | X=5 | X=6 | X=7 | X=8 | X=9 |
| Y=48 | Y=60 | Y=72 | Y=84 | Y=96 | Y=108 |
| | | 10ft | 12ft | | |
| | | X=10 | X=12 | | |
| | | Y=120 | Y=144 | | |



| REVISIONS | | DATE | APPROVED |
|-----------|-----|-------------|----------|
| ZONE | REV | DESCRIPTION | |
| | | | |

| | | | | |
|-------------------------------------------------------------------------------------------------------------------|--------------|-----------------|-------------------------------------------------------------|------------------------|
| UNLESS OTHERWISE NOTED TOLERANCES ARE AS FOLLOWS .XX= ± .XXX= ± BENDS= ± 1° MATERIAL | DRAWN MWO | DATE 10/9/24 | Nortec Equipment LLC 5311 Fuller St. Weston, WI 54476 | |
| | CHECKED | | SIZE A | DWG NO. |
| | QA | | FSCM NO. | SCALE |
| | MFG | | APPROVED | SHEET 1 OF 1 |

Compact Tractor Chain Case Assembly

Compact Tractor Chain Case Assembly

| Item # | Part Number | QTY | Description |
|--------|--------------|-----|------------------------------------------|
| 1 | NE-100001-37 | 1 | Top Chain Case Cover |
| 2 | AI650040 | 8 | Flange Bolt 1/4-28 x 1/2 Gr5 |
| 3 | NE-100001-8 | 1 | Inspection Cover |
| 4 | AI650040 | 4 | Flange Bolt 1/4-28 x 1/2 Gr5 |
| 5 | NE-100001-7 | 1 | Bottom Chain Case Cover |
| 6 | AI650040 | 13 | Flange Bolt 1/4-28 x 1/2 Gr5 |
| 7 | NE-100001-42 | 1 | Chain Case Shoe |
| 8 | AC205 | 2 | Hex Bolt 1/2-13 x 1 Gr5 |
| 9 | CG030 | 2 | Nylock Nut 1/2-13 |
| 10 | NE-100001-20 | 1 | Washer |
| 11 | AG209 | 1 | Hex Bolt 1/2-20 x 1-1/2 Gr5 |
| 12 | NE-100001-24 | 1 | Spacer |
| 13 | NE-100001-23 | 1 | Compensator Wheel |
| 14 | CG024 | 1 | Nylock Nut 3/8-16 |
| 15 | BF352 | 1 | Shoulder Bolt 1/2 x 1-1/2 |
| 16 | AG209 | 1 | Hex Bolt 1/2-20 x 1-1/2 Gr5 |
| 17 | NE-100001-20 | 1 | Washer |
| 18 | NE-100001-18 | 1 | Key 3/8 Sq. x 1-1/2 |
| 19 | NE-100001-15 | 1 | Sprocket #80 14T |
| 20 | NE-100001-11 | 3 | Spacer/ Washer |
| 21 | A3113 | 1 | Hex Bolt 3/8-16 x 2-1/2 Gr5 Full Threads |
| 22 | CF106 | 1 | Hex Nut 3/8-16 |
| 23 | NE-100001-39 | 1 | Flange Bearing 1-1/2 Lock Collar |
| 24 | BF564 | 4 | Carr. Bolt 1/2-13 x 2-1/2 Gr5 |
| 25 | CG030 | 4 | Nylock Nut 1/2-13 |
| 26 | NE-100001-14 | 1 | Lower Bearing Cover |
| 27 | AC109 | 4 | Hex Bolt 3/8-16 x 1-1/2 Gr5 |
| 28 | CG024 | 4 | Nylock Nut 3/8-16 |
| 29 | BA5611 | 4 | Carr. Bolt 1/2-13 x 2 Gr5 |
| 30 | CG030 | 4 | Nylock Nut 1/2-13 |
| 31 | NE-100001-39 | 1 | Flange Bearing 1-1/2 Lock Collar |
| 32 | NE-100001-53 | 1 | Crossover Shield Mount |
| 33 | NE-100001-35 | 1 | Chain Case Breather |
| 34 | NE-100001 | 1 | Chain Case |
| 35 | NE-100001-16 | 1 | Chain 80H (4.25ft, 51 links) |
| 36 | NE-100001-21 | 1 | Chain Maser Link 80H |
| 37 | NE-100001-15 | 1 | Sprocket #80 14T |
| 38 | NE-100001-18 | 1 | Key 3/8 Sq. x 1-1/2 |
| 39 | NE-100001-10 | 1 | Chain Tensioner |
| 40 | BF334 | 2 | Shoulder Bolt 3/8 x 1-3/4 |
| 41 | NE-100001-54 | 1 | Gasket Kit |

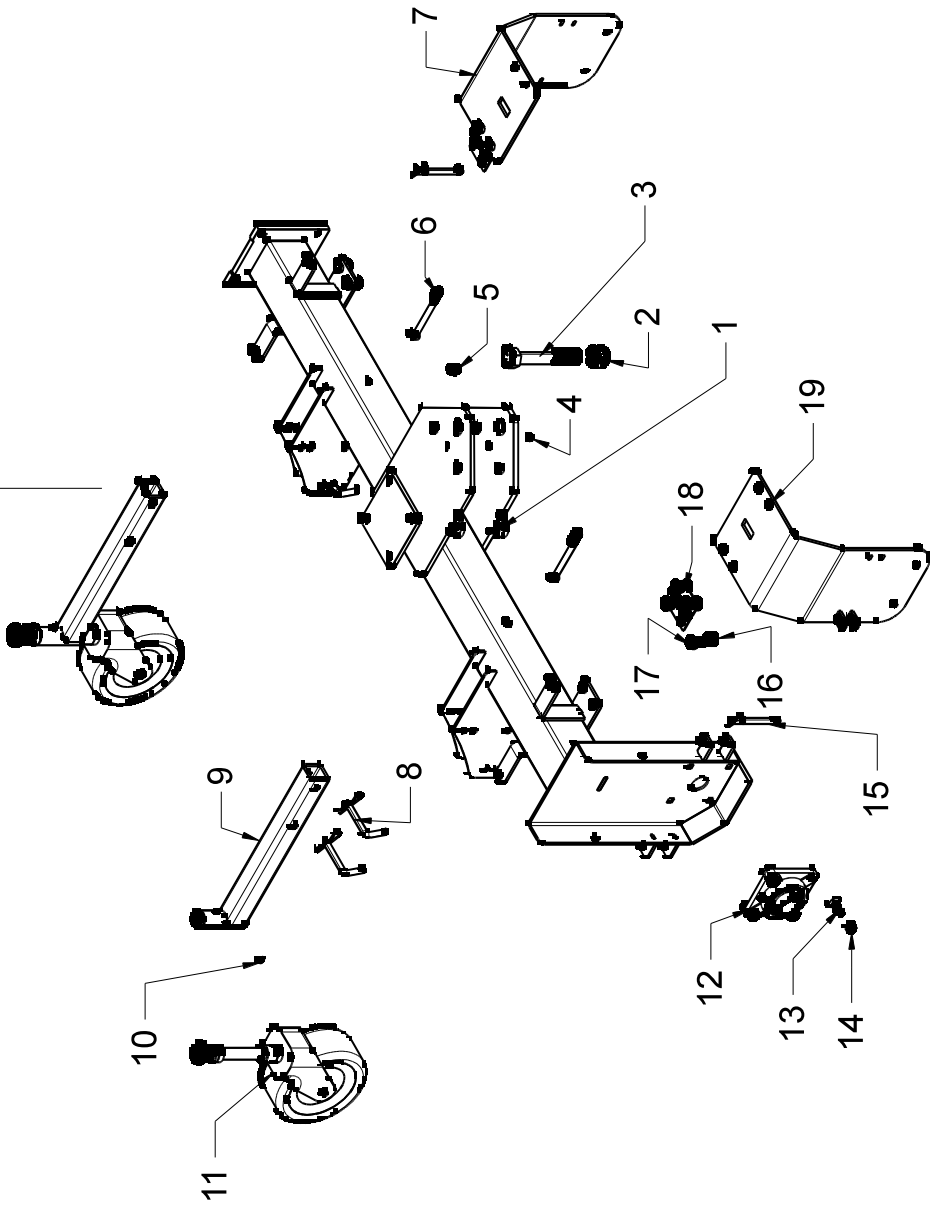
Note: Nortec Part Number NE-100001-17 may be substituted for NE-100001-39.
NE-100001-17 does not have a lock collar, instead two set screws.

Tractor Chain Case Assembly

| Item # | Part Number | QTY | Description |
|--------|--------------|-----|------------------------------------------|
| 1 | NE-100001-9 | 1 | Tractor Top Chain Case Cover |
| 2 | AI650040 | 8 | Flange Bolt 1/4-28 x 1/2 Gr5 |
| 3 | NE-100001-39 | 1 | Flange Bearing 1-1/2 Lock Collar |
| 4 | AC209 | 4 | Hex Bolt 1/2-13 x 1-1/2 Gr5 |
| 5 | CG030 | 4 | Nylock Nut 1/2-13 |
| 6 | CG024 | 1 | Nylock nut 3/8-16 |
| 7 | NE-100001-24 | 1 | Spacer |
| 8 | BF352 | 1 | Shoulder Bolt 1/2 x 1-1/2 |
| 9 | NE-100001-23 | 1 | Compensator Wheel |
| 10 | NE-100001-7 | 1 | Bottom Chain Case Cover |
| 11 | AI650040 | 13 | Flange Bolt 1/4-28 x 1/2 Gr5 |
| 12 | NE-100001-8 | 1 | Inspection Cover |
| 13 | AI650040 | 4 | Flange Bolt 1/4-28 x 1/2 Gr5 |
| 14 | NE-100001-42 | 1 | Chain Case Shoe |
| 15 | AC205 | 2 | Hex Bolt 1/2-13 x 1 Gr5 |
| 16 | CG030 | 2 | Nylock Nut 1/2-13 |
| 17 | AG209 | 1 | Hex Bolt 1/2-20 x 1-1/2 Gr5 |
| 18 | NE-100001-20 | 1 | Washer |
| 19 | NE-100001-18 | 1 | Key 3/8 Sq. x 1-1/2 |
| 20 | NE-100001-15 | 1 | Sprocket #80 14T |
| 21 | BF334 | 2 | Shoulder Bolt 3/8 x 1-3/4 |
| 22 | NE-100001-10 | 1 | Chain Tensioner |
| 23 | A3113 | 1 | Hex Bolt 3/8-16 x 2-1/2 Gr5 Full Threads |
| 24 | CF106 | 1 | Hex Nut 3/8-16 |
| 25 | NE-100001-39 | 1 | Flange Bearing 1-1/2 Lock Collar |
| 26 | NE-100001-14 | 1 | Lower Bearing Cover |
| 27 | BF564 | 4 | Carr. Bolt 1/2-13 x 2-1/2 Gr5 |
| 28 | CG030 | 4 | Nylock Nut 1/2-13 |
| 29 | AC109 | 4 | Hex Bolt 3/8-16 x 1-1/2 Gr5 |
| 30 | CG024 | 4 | Nylock Nut 3/8-16 |
| 31 | AI650040 | 6 | Flange Bolt 1/4-28 x 1/2 Gr5 |
| 32 | NE-100001-22 | 1 | Chain Case PTO Cover |
| 33 | CG030 | 4 | Nylock Nut 1/2-13 |
| 34 | BA5611 | 4 | Carr. Bolt 1/2-13 x 2 Gr5 |
| 35 | NE-100001-39 | 1 | Flange Bearing 1-1/2 Lock Collar |
| 36 | NE-100001-13 | 1 | Chain Case PTO Cover Mount |
| 37 | NE-100001-35 | 1 | Chain Case Breather |
| 38 | NE-100001 | 1 | Chain Case |
| 39 | NE-100001-12 | 1 | chain case tractor top shaft |
| 40 | NE-100001-18 | 1 | Key 3/8 Sq. x 1-1/2 |
| 41 | NE-100001-15 | 1 | Sprocket #80 14T |
| 42 | NE-100001-16 | 1 | Chain 80H (4.25ft, 51 links) |
| 43 | NE-100001-21 | 1 | Chain Maser Link 80H |
| 44 | NE-100001-11 | 1 | Spacer/ Washer |
| 45 | NE-100001-54 | 0 | Gasket Kit |

Note: Nortec Part Number NE-100001-17 may be substituted for NE-100001-39.
NE-100001-17 does not have a lock collar, instead two set screws.

| REVISIONS | | | | |
|-----------|-----|-------------|------|----------|
| ZONE | REV | DESCRIPTION | DATE | APPROVED |
| | | | | |



| | | | | |
|------------------------------------------------------------------------------------------------------------|--------------|-----------------|-------------------------------------------------------------|------------------------|
| UNLESS OTHERWISE NOTED TOLERANCES ARE AS FOLLOWS •XX= ± •XXX= ± BENDS= ± 1° MATERIAL | DRAWN MWO | DATE 10/7/24 | Nortec Equipment LLC 5311 Fuller St. Weston, WI 54476 | |
| | CHECKED | | COMPACT TRACTOR FRAME ASSEMBLY | |
| | QA | | SIZE A | REV |
| | MFG | | FSCM NO. | DWG NO. |
| | APPROVED | | SCALE | SHEET 1 OF 1 |

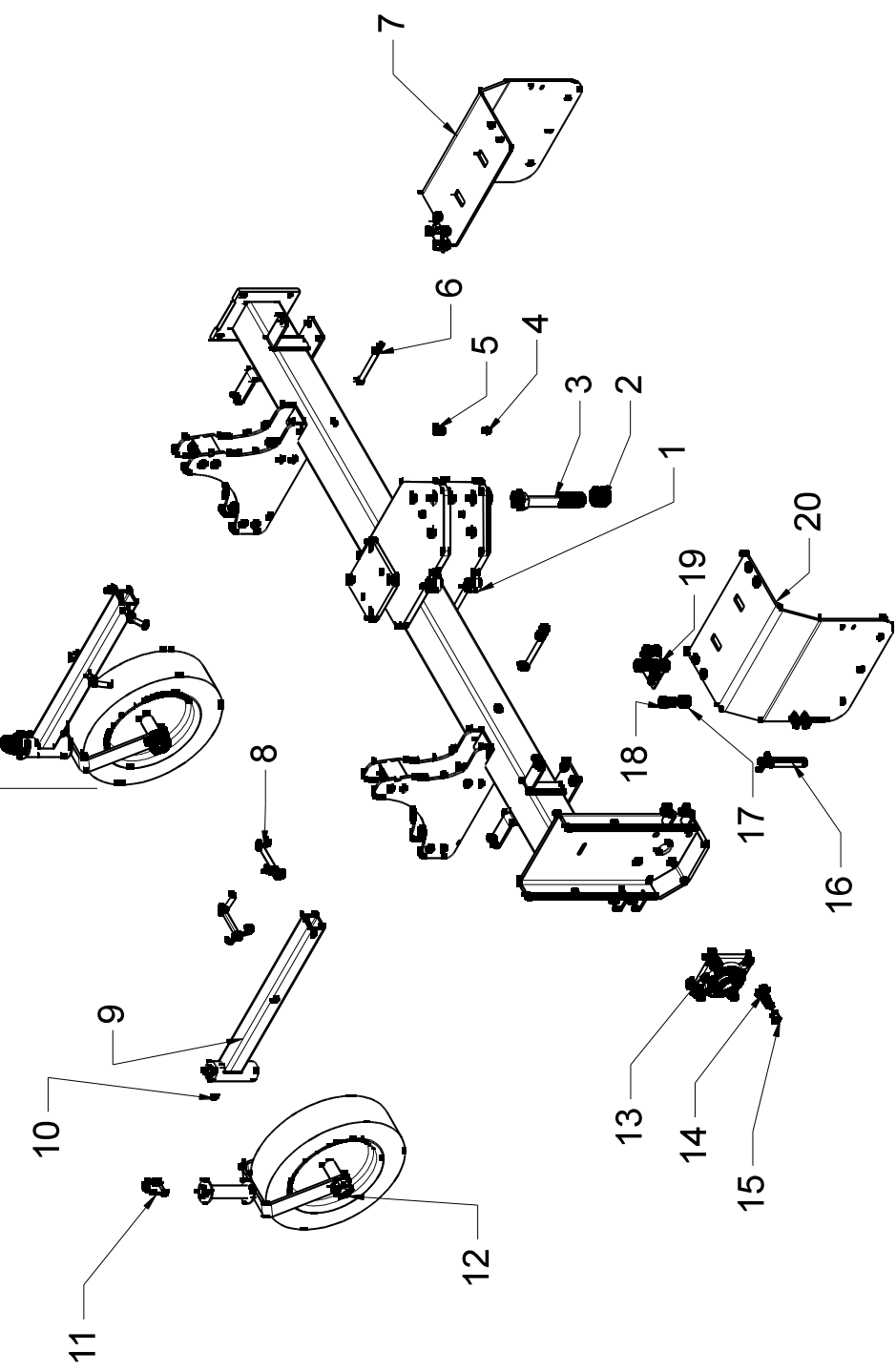
Compact Tractor Frame Assembly

| Item # | Part Number | QTY | Description |
|--------|--------------|-----|----------------------------------|
| 1 | NE-440000-X | 1 | Compact Tractor Frame |
| 2 | CG0458 | 1 | Nylock Nut 1-8 Gr8 |
| 3 | AE476 | 2 | Hex Bolt 1-8 x 6.5 Gr8 |
| 4 | F0102 | 1 | Grease Zerk 1/8 NPT Straight |
| 5 | F0104 | 1 | Grease Zerk 1/8 NPT 90° |
| 6 | AC223 | 2 | Hex Bolt 1/2-13 x 5 Gr5 |
| 7 | NE-620000 | 1 | Left Side End Shield |
| 8 | NE-110032 | 4 | 1/2 Bent Pin 4"w/Clip |
| 9 | NE-710000 | 2 | Tractor Guidwheel Arm |
| 10 | F0102 | 2 | Grease Zerk 1/8 NPT Straight |
| 11 | NE-700005 | 2 | Compact Guide Wheel Assembly |
| 12 | NE-100001-39 | 1 | Flange Bearing 1-1/2 Lock Collar |
| 13 | BA5591 | 4 | Carr. Bolt 1/2-13 x 1-1/2 Gr5 |
| 14 | CG030 | 4 | Nylock Nut 1/2-13 |
| 15 | NE-600003 | 2 | Shield Lock Pin (1/2") |
| 16 | CG030 | 8 | Nylock Nut 1/2-13 |
| 17 | AC205 | 8 | Hex Bolt 1/2-13 x 1 Gr5 |
| 18 | NE-600002 | 2 | Shield Hinge |
| 19 | NE-610000 | 1 | Right Side End Shield |

Standard Machine Length= X

| 4ft | 5ft | 6ft |
|-----|-----|-----|
| X-4 | X=5 | X=6 |

| REVISIONS | | | |
|-----------|-----|-------------|------|
| ZONE | REV | DESCRIPTION | DATE |
| | | | |
| | | | |



| | | | | |
|------------------------------------------------------------------------------------------------------------|--------------|-----------------|-------------------------------------------------------------|---------------|
| UNLESS OTHERWISE NOTED TOLERANCES ARE AS FOLLOWS •XX= ± •XXX= ± BENDS= ± 1° MATERIAL | DRAWN MWO | DATE 1/12/24 | Nortec Equipment LLC 5311 Fuller St. Weston, WI 54476 | |
| | CHECKED | | SIZE A | FSCM NO. |
| | QA | | DWG NO. | REV |
| | MFG | | SCALE | SHEET |
| | APPROVED | | | 1 OF 1 |

TRACTOR FRAME ASSEMBLY

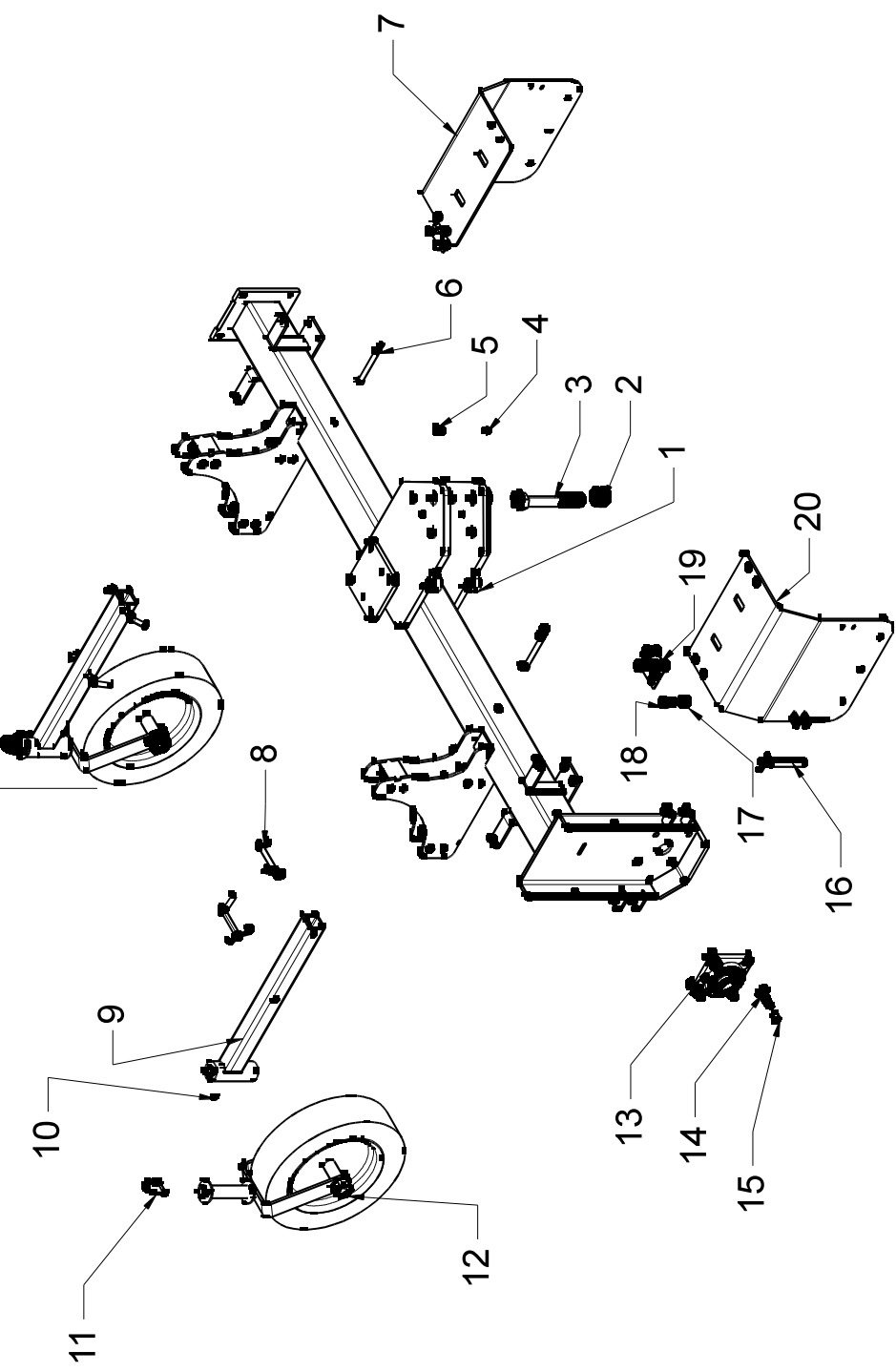
Standard Tractor Frame Assembly

| Item # | Part Number | QTY | Description |
|--------|--------------|-----|----------------------------------|
| 1 | NE-400000-X | 1 | Standard Tractor Frame |
| 2 | AE477 | 1 | Hex Bolt 1-8 x 7.0 Gr8 |
| 3 | CG0458 | 1 | Nylock Nut 1-8 Gr8 |
| 4 | F0102 | 1 | Grease Zerk 1/8 NPT Straight |
| 5 | F0104 | 1 | Grease Zerk 1/8 NPT 90° |
| 6 | AC223 | 2 | Hex Bolt 1/2-13 x 5 Gr5 |
| 7 | NE-600001 | 1 | Left Side End Shield |
| 8 | NE-110032 | 4 | 1/2 Bent Pin 4"w/Clip |
| 9 | NE-700000 | 2 | Tractor Guidwheel Arm |
| 10 | F0102 | 2 | Grease Zerk 1/8 NPT Straight |
| 11 | NE-700004 | 2 | Tail Wheel PIN 5/16 x 2.25 |
| 12 | NE-70006 | 2 | Guide Wheel Assembly |
| 13 | NE-100001-39 | 1 | Flange Bearing 1-1/2 Lock Collar |
| 14 | BA5611 | 4 | Carr. Bolt 1/2-13 x 2 Gr5 |
| 15 | CG030 | 4 | Nylock Nut 1/2-13 |
| 16 | NE-600003 | 2 | Shield Lock Pin (1/2") |
| 17 | CG030 | 8 | Nylock Nut 1/2-13 |
| 18 | AC205 | 8 | Hex Bolt 1/2-13 x 1 Gr5 |
| 19 | NE-600002 | 2 | Shield Hinge |
| 20 | NE-600000 | 1 | Right Side End Shield |

Standard Machine Length= X

| 6ft | 7ft |
|-----|-----|
| X=6 | X=7 |

| REVISIONS | | | |
|-----------|-----|-------------|------|
| ZONE | REV | DESCRIPTION | DATE |
| | | | |
| | | | |



| | | | | |
|------------------------------------------------------------------------------------------------------------|--------------|-----------------|-------------------------------------------------------------|---------------|
| UNLESS OTHERWISE NOTED TOLERANCES ARE AS FOLLOWS •XX= ± .XXX= ± BENDS= ± 1° MATERIAL | DRAWN MWO | DATE 1/12/24 | Nortec Equipment LLC 5311 Fuller St. Weston, WI 54476 | |
| | CHECKED | | SIZE A | FSCM NO. |
| | QA | | DWG NO. | REV |
| | MFG | | SCALE | SHEET |
| | APPROVED | | | 1 OF 1 |

TRACTOR FRAME ASSEMBLY

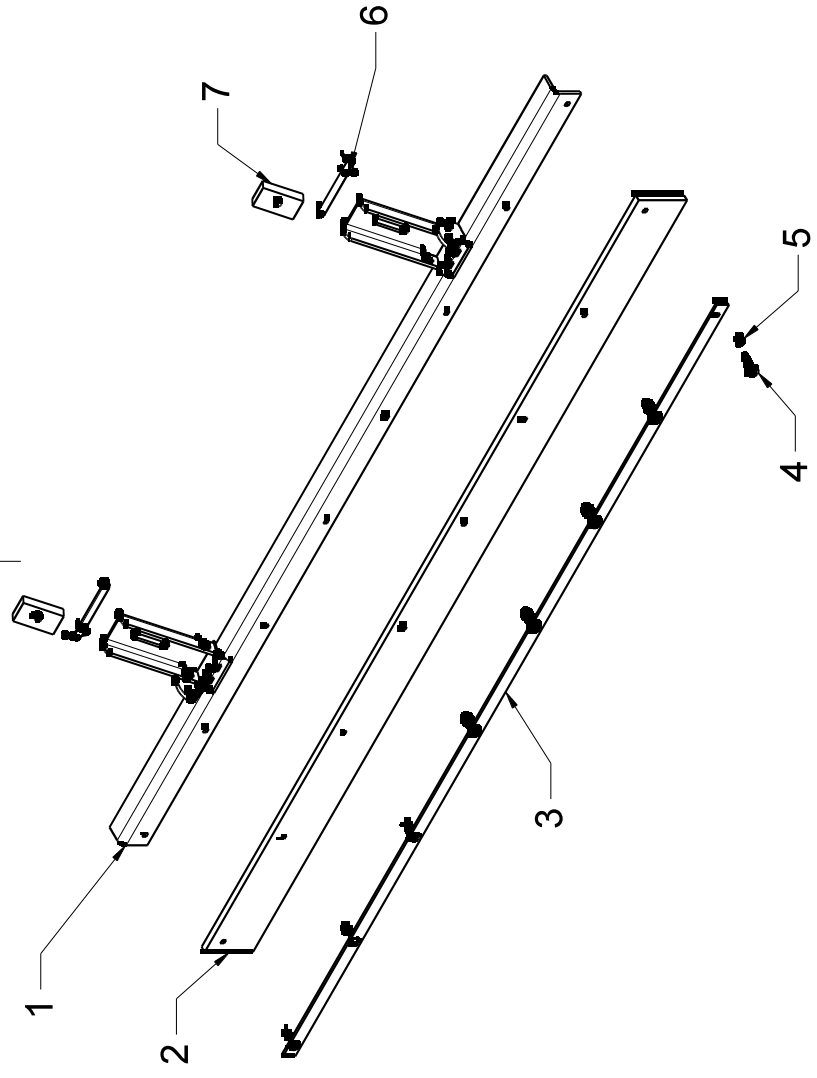
Heavy Duty Tractor Frame Assembly

| Item # | Part Number | QTY | Description |
|--------|--------------|-----|----------------------------------|
| 1 | NE-410000-X | 1 | Heavy Duty Tractor Main Frame |
| 2 | AE477 | 1 | Hex Bolt 1-8 x 7.0 Gr8 |
| 3 | CG0458 | 1 | Nylock Nut 1-8 Gr8 |
| 3 | F0102 | 1 | Grease Zerk 1/8 NPT Straight |
| 4 | F0104 | 1 | Grease Zerk 1/8 NPT 90° |
| 5 | AC223 | 2 | Hex Bolt 1/2-13 x 5 Gr5 |
| 6 | NE-600001 | 1 | Left Side End Shield |
| 7 | NE-110032 | 4 | 1/2 Bent Pin 4"w/Clip |
| 8 | NE-700000 | 2 | Tractor Guidwheel Arm |
| 9 | F0102 | 2 | Grease Zerk 1/8 NPT Straight |
| 10 | NE-700004 | 2 | Tail Wheel PIN 5/16 x 2.25 |
| 11 | NE-70006 | 2 | Guide Wheel Assembly |
| 12 | NE-100001-39 | 1 | Flange Bearing 1-1/2 Lock Collar |
| 13 | BA5611 | 4 | Carr. Bolt 1/2-13 x 2 Gr5 |
| 14 | CG030 | 4 | Nylock Nut 1/2-13 |
| 15 | NE-600003 | 2 | Shield Lock Pin (1/2") |
| 16 | CG030 | 8 | Nylock Nut 1/2-13 |
| 17 | AC205 | 8 | Hex Bolt 1/2-13 x 1 Gr5 |
| 18 | NE-600002 | 2 | Shield Hinge |
| 19 | NE-600000 | 1 | Right Side End Shield |

Heavy Duty Machine Length= X

| 6ft | 7ft | 8Ft |
|-----|-----|-----|
| X=6 | X=7 | X=8 |

| REVISIONS | | | | |
|-----------|-----|-------------|------|----------|
| ZONE | REV | DESCRIPTION | DATE | APPROVED |
| | | | | |



| | | | | | | | |
|-------------------------------------------------------------------------------------------------------------------|---------|----------|------|---------|-------------------------------------------------------------|----------|------------------------------------------------------|
| UNLESS OTHERWISE NOTED TOLERANCES ARE AS FOLLOWS .XX= ± .XXX= ± BENDS= ± 1° MATERIAL | DRAWN | MWO | DATE | 1/12/24 | Nortec Equipment LLC 5311 Fuller St. Weston, WI 54476 | | |
| | CHECKED | QA | | | SIZE | FSCM NO. | DWG NO. |
| | MFG | APPROVED | | | A | | |
| | | | | | SCALE | | |
| | | | | | | | TRACTOR MATERIAL BAR ASSEMBLY SHEET 1 OF 1 |

Tractor Material Bar Assembly

NE-500000-X

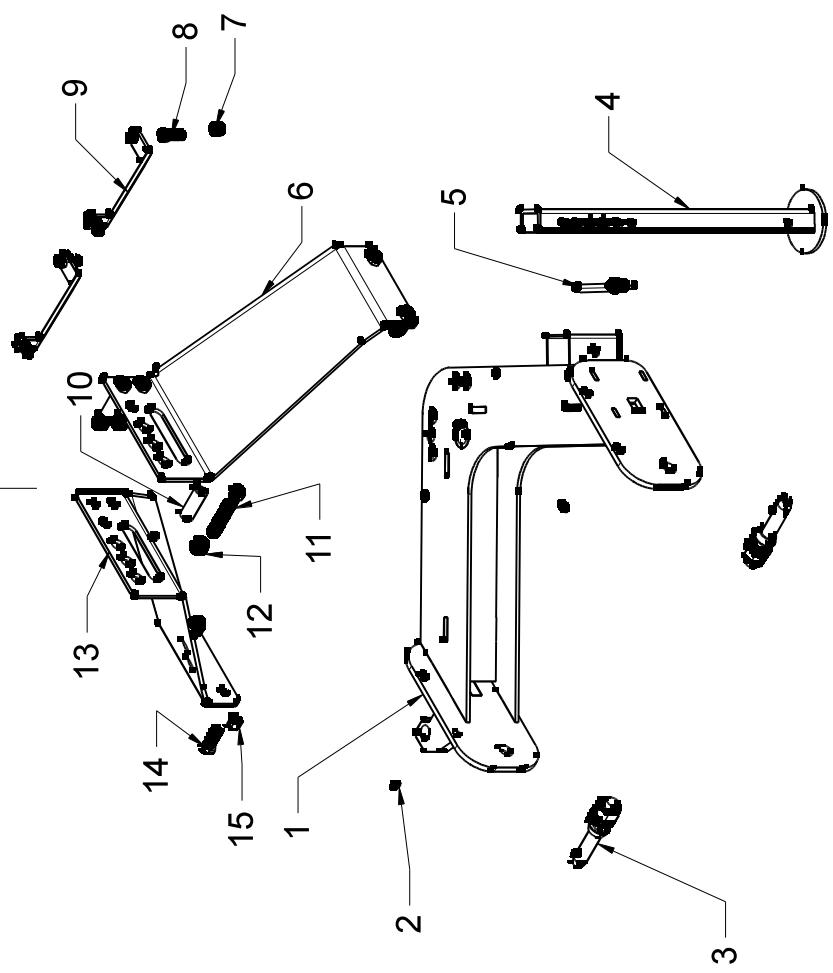
| Item # | Part Number | QTY | Description |
|--------|-------------|-----|--------------------------------|
| 1 | NE-500001-X | 1 | Skid Material Bar Frame |
| 2 | NE-500003-X | 1 | Material Bar Rubber |
| 3 | NE-500002-X | 1 | Washer Plate |
| 4 | NE-500004 | 2 | Bar Mount Washer/nut |
| 5 | BA2591 | Y | Carr. Bolt 5/16-18 x 1-1/2 Gr5 |
| 6 | CG021 | Y | Nylock Nut 5/16-18 |

Machine Length=X

Y=Quantity

| 4ft | 5ft | 6ft | 7ft | 8ft X |
|-----|-----|-----|-----|-------|
| X=4 | X=5 | X=6 | X=7 | X=8 |
| Y=6 | Y=8 | Y=8 | Y=9 | Y=11 |

| REVISIONS | | | | |
|-----------|-----|-------------|------|----------|
| ZONE | REV | DESCRIPTION | DATE | APPROVED |
| | | | | |



| | | | | |
|-------------------------------------------------------------------------------------------------------------------|----------|---------|-------------------------------------------------------------|--------------|
| UNLESS OTHERWISE NOTED TOLERANCES ARE AS FOLLOWS .XX= ± .XXX= ± BENDS= ± 1° MATERIAL | DRAWN | DATE | Nortec Equipment LLC 5311 Fuller St. Weston, WI 54476 | |
| | MWO | 10/7/24 | SIZE | REV |
| | CHECKED | | A | |
| | QA | | FSCM NO. | DWG NO. |
| | MFG | | NE-240000 | |
| | APPROVED | | SCALE | SHEET 1 OF 1 |

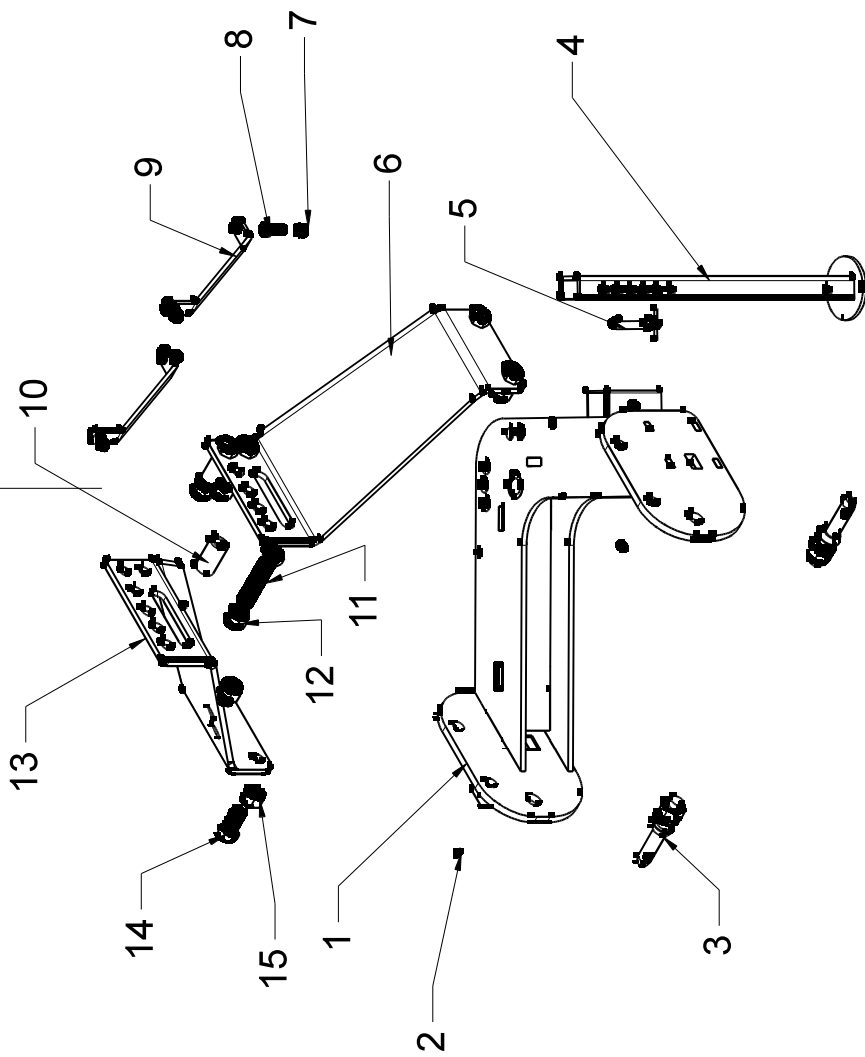
COMPACT CAT 1 HITCH ASSEMBLY

Compact Cat 1 Hitch

NE-240000

| Item # | Part Number | QTY | Description |
|--------|-------------|-----|-----------------------------------|
| 1 | NE-240001 | 1 | Compact CAT 1 BEAM |
| 2 | F0102 | 2 | Grease Zerk 1/8 NPT Straight |
| 3 | NE-200008 | 2 | CAT 1 PIN |
| 4 | NE-200002 | 1 | JACKSTAND |
| 5 | NE-600003 | 1 | Lock Pin (1/2") |
| 6 | NE-240005 | 1 | Compact CAT 1 Left Upright Frame |
| 7 | CG024 | 4 | Nylock nut 3/8-16 |
| 8 | AC109 | 4 | Hex Bolt 3/8-16 x 1-1/2 Gr5 |
| 9 | NE-200003 | 2 | Cat 1 Rear Strap |
| 10 | NE-240006 | 3 | Compact Cat 1 Upright Spacer |
| 11 | AC217 | 3 | Hex Bolt 1/2-13 x 3.5 Gr5 |
| 12 | CG030 | 3 | Nylock nut 1/2-13 |
| 13 | NE-240004 | 1 | Compact Cat 1 Right Upright Frame |
| 14 | AC211 | 4 | Hex Bolt 1/2-13 x 2 Gr5 |
| 15 | CG039 | 4 | Nylock nut 1/2-13 |

| REVISIONS | | | | |
|-----------|-----|-------------|------|----------|
| ZONE | REV | DESCRIPTION | DATE | APPROVED |
| | | | | |



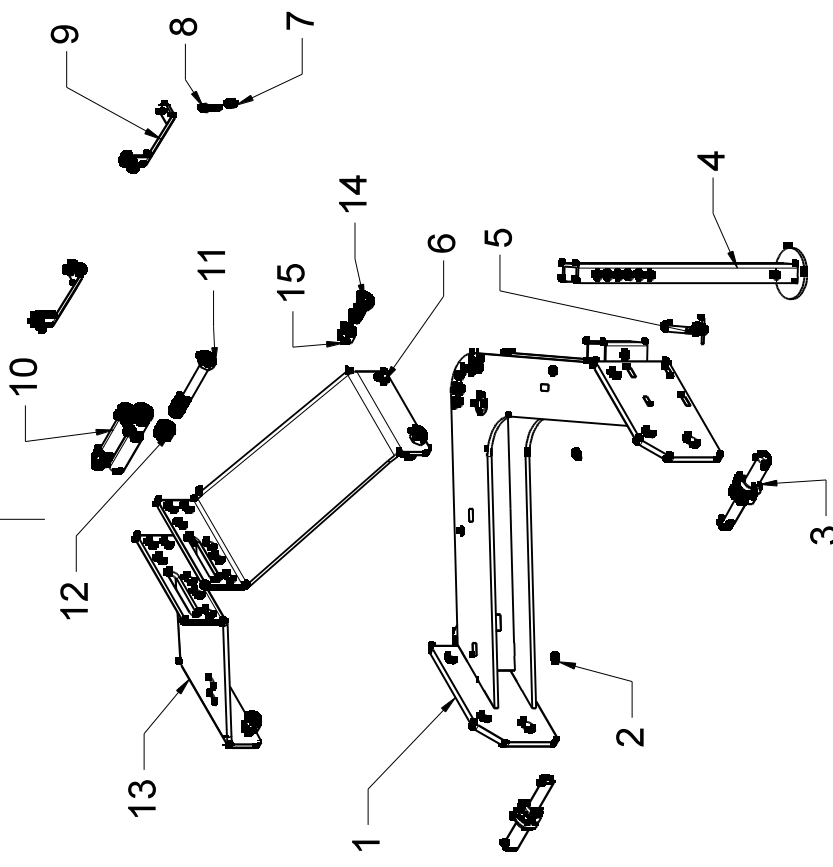
| | | | | |
|-------------------------------------------------------------------------------------------------------------------|---------------|-----------------|-------------------------------------------------------------|---------|
| UNLESS OTHERWISE NOTED TOLERANCES ARE AS FOLLOWS •XX= ± .XXX= ± BENDS= ± 1° MATERIAL | DRAWN MWO | DATE 1/12/24 | Nortec Equipment LLC 5311 Fuller St. Weston, WI 54476 | |
| | CHECKED QA | | SIZE A | DWG NO. |
| | MFG | | SCALE | 1 OF 1 |
| | APPROVED | | STANDARD CAT 1 HITCH ASSEMBLY | |

STANDARD Cat 1 Hitch

NE-200000

| Item # | Part Number | QTY | Description |
|--------|-------------|-----|------------------------------|
| 1 | NE-200001 | 1 | CAT 1 BEAM |
| 2 | F0102 | 2 | Grease Zerk 1/8 NPT Straight |
| 3 | NE-200008 | 2 | CAT 1 PIN |
| 4 | NE-200002 | 1 | JACKSTAND |
| 5 | NE-600003 | 1 | Lock Pin (1/2") |
| 6 | NE-200005 | 1 | CAT 1 Left Upright Frame |
| 7 | CG024 | 4 | Nylock nut 3/8-16 |
| 8 | AC109 | 4 | Hex Bolt 3/8-16 x 1-1/2 Gr5 |
| 9 | NE-200003 | 2 | Cat 1 Rear Strap |
| 10 | NE-200006 | 3 | Cat 1 Upright Spacer |
| 11 | AC369 | 3 | Hex Bolt 3/4-10 x 4 Gr5 |
| 12 | CG039 | 3 | Nylock nut 3/4-10 |
| 13 | NE-200004 | 1 | Cat 1 Right Upright Frame |
| 14 | AC361 | 4 | Hex Bolt 3/4-10 x 2 Gr5 |
| 15 | CG039 | 4 | Nylock nut 3/4-10 |

| REVISIONS | | | | |
|-----------|-----|-------------|------|----------|
| ZONE | REV | DESCRIPTION | DATE | APPROVED |
| | | | | |



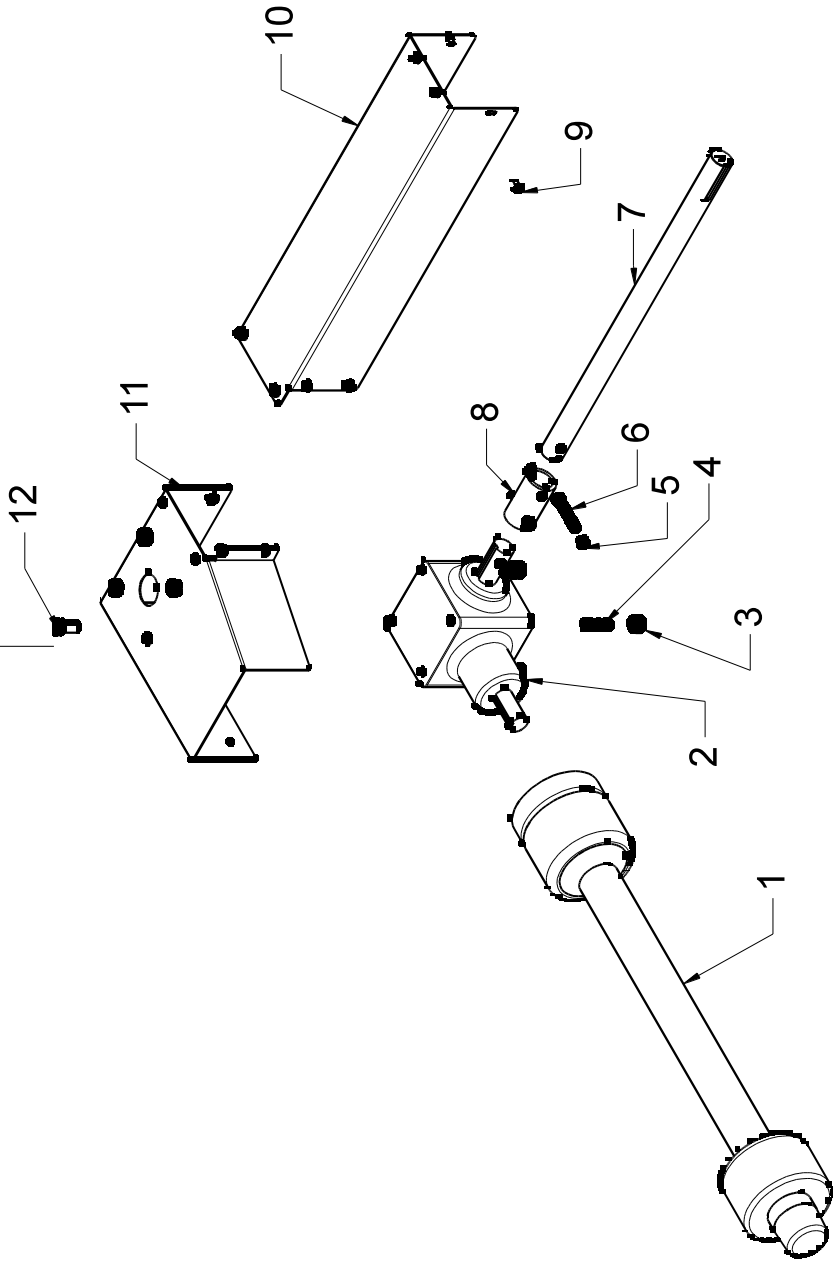
| | | | | |
|-------------------------------------------------------------------------------------------------------------------|--------------|-----------------|-------------------------------------------------------------|------------------------|
| UNLESS OTHERWISE NOTED TOLERANCES ARE AS FOLLOWS •XX= ± •XXX= ± BENDS= ± 1° MATERIAL | DRAWN MWO | DATE 1/12/24 | Nortec Equipment LLC 5311 Fuller St. Weston, WI 54476 | |
| | CHECKED | | CAT 2 HITCH ASSEMBLY | |
| | QA | | SIZE A | REV |
| | MFG | | FSCM NO. | DWG NO. |
| | APPROVED | | SCALE | SHEET 1 OF 1 |

Cat 2 Hitch

NE-210000

| Item # | Part Number | QTY | Description |
|--------|-------------|-----|------------------------------|
| 1 | NE-210001 | 1 | CAT 1 BEAM |
| 2 | F0102 | 2 | Grease Zerk 1/8 NPT Straight |
| 3 | NE-200007 | 2 | Dual Cat 1/Cat 2 Pin |
| 4 | NE-200002 | 1 | JACKSTAND |
| 5 | NE-600003 | 1 | Lock Pin (1/2") |
| 6 | NE-210005 | 1 | CAT 2 Left Upright Frame |
| 7 | CG024 | 4 | Nylock nut 3/8-16 |
| 8 | AC109 | 4 | Hex Bolt 3/8-16 x 1-1/2 Gr5 |
| 9 | NE-210003 | 2 | Cat 2 Rear Strap |
| 10 | NE-210006 | 3 | Cat 2 Upright Spacer |
| 11 | AC374 | 3 | Hex Bolt 3/4-10 x 5-1/2 Gr5 |
| 12 | CG039 | 3 | Nylock nut 3/4-10 |
| 13 | NE-210004 | 1 | Cat 2 Right Upright Frame |
| 14 | AC361 | 4 | Hex Bolt 3/4-10 x 2 Gr5 |
| 15 | CG039 | 4 | Nylock nut 3/4-10 |

| REVISIONS | | | | |
|-----------|-----|-------------|------|----------|
| ZONE | REV | DESCRIPTION | DATE | APPROVED |
| | | | | |

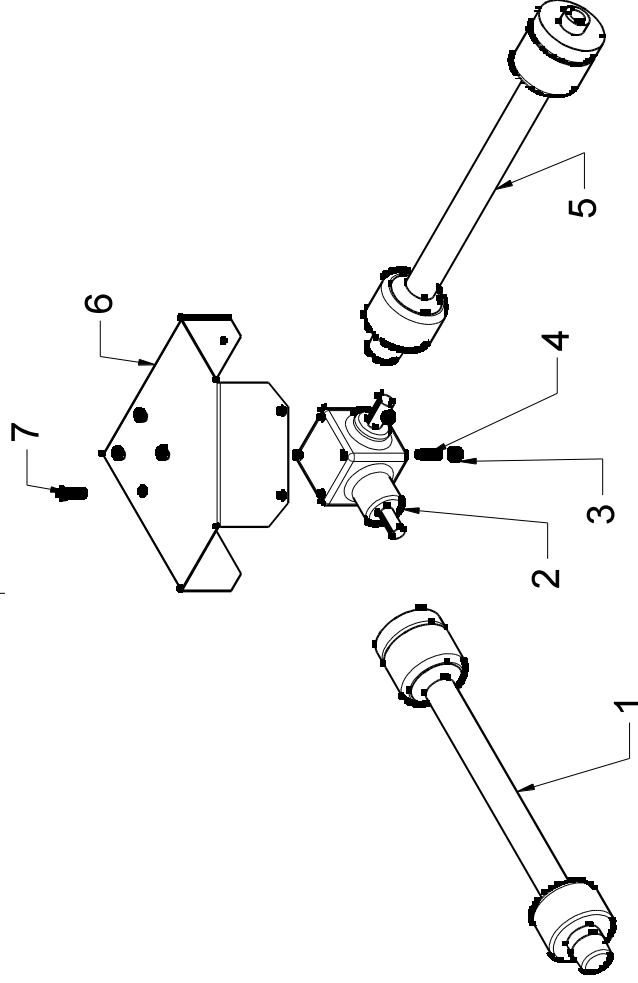


| | | | | |
|------------------------------------------------------------------------------------------------------------|--------------|-----------------|-------------------------------------------------------------|---------|
| UNLESS OTHERWISE NOTED TOLERANCES ARE AS FOLLOWS •XX= ± •XXX= ± BENDS= ± 1° MATERIAL | DRAWN MWO | DATE 10/8/24 | Nortec Equipment LLC 5311 Fuller St. Weston, WI 54476 | |
| | CHECKED | | SIZE A | DWG NO. |
| | QA | | SCALE | |
| | MFG | | | |
| | APPROVED | | SHEET | 1 OF 1 |
| COMPACT TRACTOR RAPTOR DRIVELINE | | | | |

Compact Tractor Driveline

| | Item # | Part Number | QTY | Description |
|------------|--------|----------------|-----|-----------------------------------------|
| | 1 | NE-110006 | 1 | 540 PTO Shaft_Slip Clutch, 34-44.2 |
| | 2 | NE-300006 | 1 | Compact Gearbox |
| | 3 | CG030 | 4 | Nylock Nut 1/2-13 |
| | 4 | SC0680 | 4 | Stud 1/2-13 x 2 |
| | 5 | CG024 | 2 | Nylock nut 3/8-16 |
| | 6 | AC116 | 2 | Hex Bolt 3/8-16 x 3.25 Gr5 Partial THRD |
| 4FT | 7 | NE-100001-40-4 | 1 | 4FT Crossover Shaft |
| 5FT | 7 | NE-100001-40-5 | 1 | 5FT Crossover Shaft |
| 6FT | 7 | NE-100001-40-6 | 1 | 6FT Crossover Shaft |
| | 8 | NE-100001-52 | 1 | COMPACT COUPLER |
| | 9 | AI650040 | 9 | Flange Bolt 1/4-28 x 1/2 Gr5 |
| 4FT | 10 | NE-440006-4 | 1 | Compact Crossover Shield |
| 5FT | 10 | NE-440006-5 | 1 | Compact Crossover Shield |
| 6FT | 10 | NE-440006-6 | 1 | Compact Crossover Shield |
| | 11 | NE-440005 | 1 | Compact Gearbox PTO Shield |
| | 12 | AC211 | 4 | Hex Bolt 1/2-13 x 2 Gr5 |

| REVISIONS | | | | |
|-----------|-----|-------------|------|----------|
| ZONE | REV | DESCRIPTION | DATE | APPROVED |
| | | | | |



| | | | | |
|------------------------------------------------------------------------------------------------------------|--------------|-----------------|-------------------------------------------------------------|------------------------|
| UNLESS OTHERWISE NOTED TOLERANCES ARE AS FOLLOWS .XX= ± .XXX= ± BENDS= ± 1° MATERIAL | DRAWN MWO | DATE 1/12/24 | Nortec Equipment LLC 5311 Fuller St. Weston, WI 54476 | |
| | CHECKED | | Tractor Drive Line | |
| | QA | | SIZE A | REV |
| | MFG | | FSCM NO. | DWG NO. |
| | APPROVED | | SCALE | SHEET 1 OF 1 |

Tractor Driveline

| | Item # | Part Number | QTY | Description |
|------------|--------|-------------|-----|---------------------------------------------------------|
| | 1 | NE-110005 | 1 | 540 PTO Shaft, 40.39-51.9 |
| | 2 | NE-300006 | 1 | STD/HD Gearbox |
| | 3 | CG030 | 4 | Nylock Nut 1/2-13 |
| | 4 | SC0680 | 4 | Stud 1/2-13 x 2 |
| 6FT | 5 | NE-110006 | 1 | 540 PTO Shaft Slip Clutch **must cut to length** |
| 7FT | 5 | NE-110006 | 1 | 540 PTO Shaft Slip Clutch **must cut to length** |
| 8FT | 5 | NE-110008 | 1 | 540 PTO Shaft Slip Clutch **must cut to length** |
| | 6 | NE-300004 | 1 | Gearbox PTO Shield |
| | 7 | AC211 | 4 | Hex Bolt 1/2-13 x 2 Gr5 |