



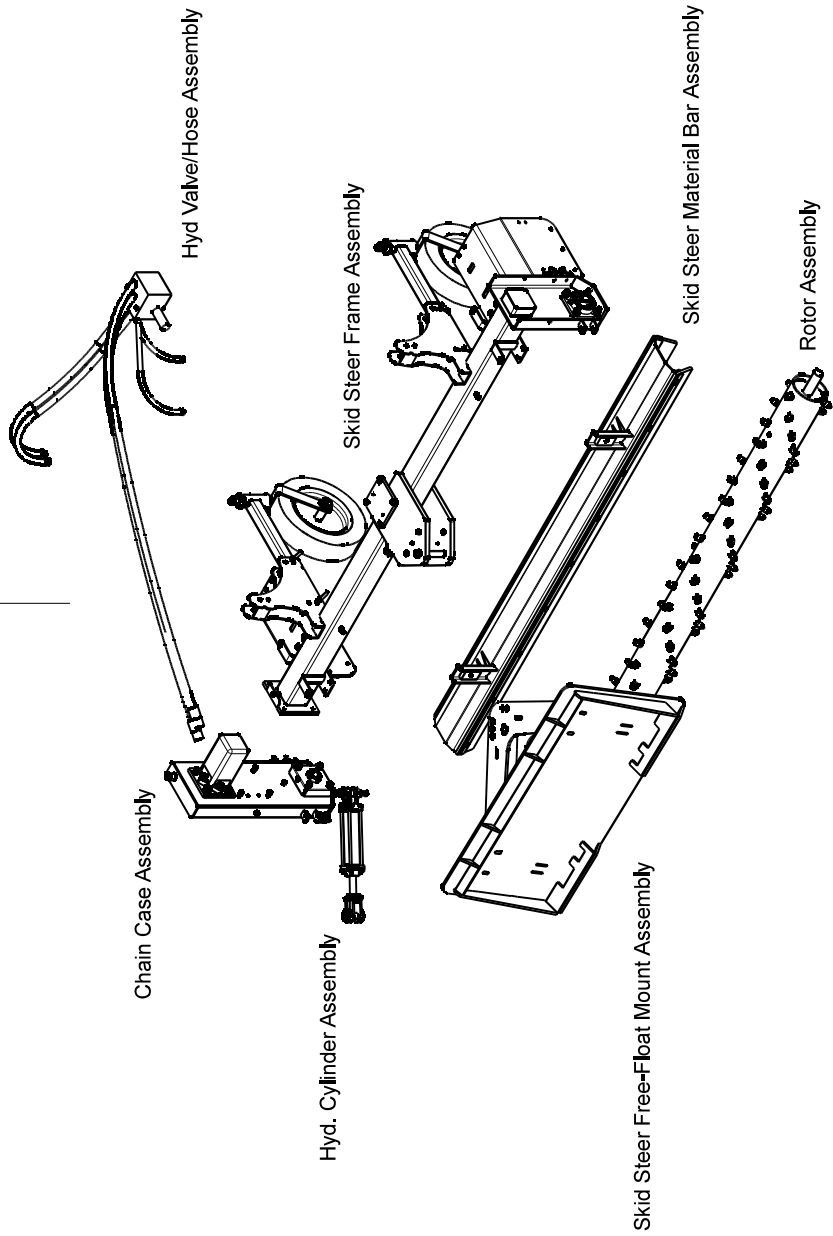
Raptor

SOIL PROCESSOR

Skid Steer Version

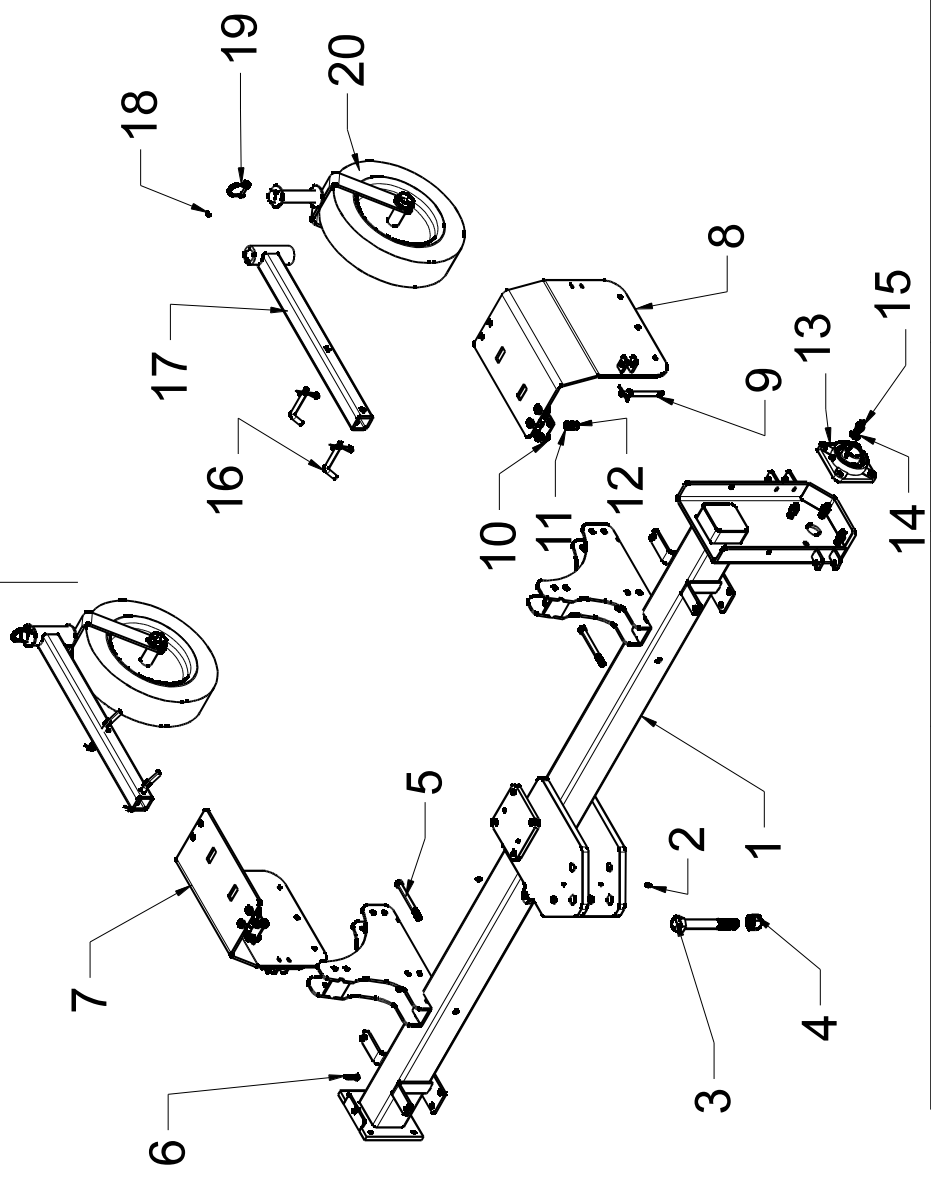
Parts

REVISIONS				
ZONE	REV	DESCRIPTION	DATE	APPROVED



UNLESS OTHERWISE NOTED TOLERANCES ARE AS FOLLOWS .XX= ± .XXX= ± BENDS= ± 1° MATERIAL	DRAWN MWO	DATE 1/10/24	Nortec Equipment LLC 5311 Fuller St. Weston, WI 54476	
	CHECKED		SIZE A	DWG NO.
	QA		FSCM NO.	REV
	MFG		SCALE	SHEET 1 OF 1
	APPROVED		SKID STEER RAPTOR ASSEMBLY	

REVISIONS				
ZONE	REV	DESCRIPTION	DATE	APPROVED



UNLESS OTHERWISE NOTED TOLERANCES ARE AS FOLLOWS .XX= ± .XXX= ± BENDS= ± 1° MATERIAL	DRAWN MWO	DATE 1/10/24	Nortec Equipment LLC 5311 Fuller St. Weston, WI 54476	
	CHECKED QA		SIZE A	DWG NO.
	MFG		FSCM NO.	REV
	APPROVED		SCALE	SHEET 1 OF 1
SKID STEER FRAME ASSEMBLY				

Skid Steer Frame Assembly

Item #	Part Number	QTY	Description
1	NE-420000-X	1	Skid Steer Frame
2	F0102	2	Grease Zerk 1/8 NPT Straight
3	AE477	1	Hex Bolt 1-8 x 7.0 Gr8
4	CG0458	1	Nylock Nut 1-8 Gr8
5	AC223	2	Hex Bolt 1/2-13 x 5 Gr5
6	AC109	1	Hex Bolt 3/8-16 x 1-1/4 Gr5
7	NE-600001	1	Left Side End Shield
8	NE-600000	1	Right Side End Shield
9	NE-600003	2	Shield Lock Pin (1/2")
10	NE-600002	2	Shield Hinge
11	AC205	8	Hex Bolt 1/2-13 x 1 Gr5
12	CG030	8	Nylock Nut 1/2-13
13	NE-100001-17	1	Flange Bearing 1-1/2
14	BF5611	4	Carr. Bolt 1/2-13 x 2 Gr5
15	CG030	4	Nylock Nut 1/2-13
16	NE-110032	4	1/2 Bent Pin 4"
17	NE-720000	2	Skid Guidwheel Arm
18	F0102	2	Grease Zerk 1/8 NPT Straight
19	NE-700004	2	Tail Wheel PIN 5/16 x 2.25
20	NE-70006	2	Guide Wheel Assembly

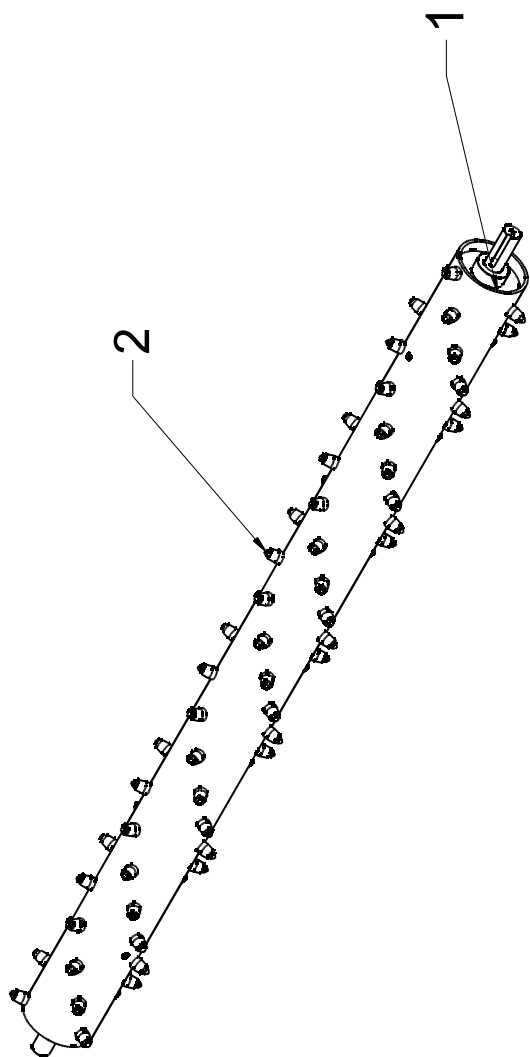
Machine Length= X

6ft	7ft	8ft X	9ft
X=6	X=7	X=8	X=9



REVISIONS			
ZONE	REV	DESCRIPTION	DATE

APPROVED



UNLESS OTHERWISE NOTED TOLERANCES ARE AS FOLLOWS .XX= ± .XXX= ± BENDS= ± 1° MATERIAL	DRAWN MWO	DATE 1/10/24	Nortec Equipment LLC 5311 Fuller St. Weston, WI 54476	
	CHECKED		ROTOR ASSEMBLY	
	QA		SIZE A	REV
	MFG		FSCM NO.	DWG NO.
	APPROVED		SCALE	SHEET 1 OF 1

Rotor Assembly

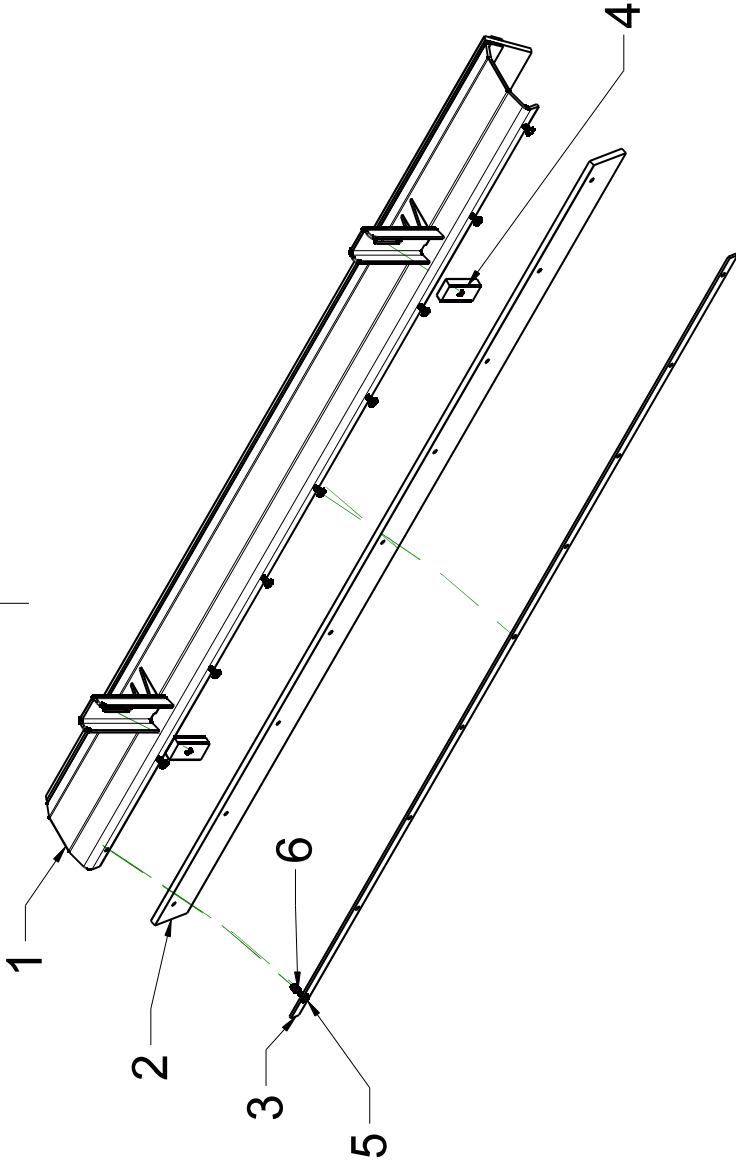
Item #	Part Number	QTY	Description
1	NE-800000-X	1	Rotor Welded complete
2	RPR5	Y	Agressor Tooth, Weld on

**Rotor Length=X (ft length)
Y=number teeth**

4ft	5ft	6ft	7ft	8ft	9FT
X=4	X=5	X=6	X=7	X=8	X=9
Y=48	Y=60	Y=72	Y=84	Y=96	Y=108
		10ft	12ft		
		X=10	X=12		
		Y=120	Y=144		



REVISIONS				
ZONE	REV	DESCRIPTION	DATE	APPROVED



UNLESS OTHERWISE NOTED TOLERANCES ARE AS FOLLOWS .XX= ± .XXX= ± BENDS= ± 1° MATERIAL	DRAWN MWO	DATE 1/10/24	Nortec Equipment LLC 5311 Fuller St. Weston, WI 54476	
	CHECKED		SKID STEER MATERIAL BAR ASSEMBLY	
	QA		SIZE A	REV
	MFG		FSCM NO.	DWG NO.
	APPROVED		SCALE	SHEET 1 OF 1

Skid Material Bar Assembly

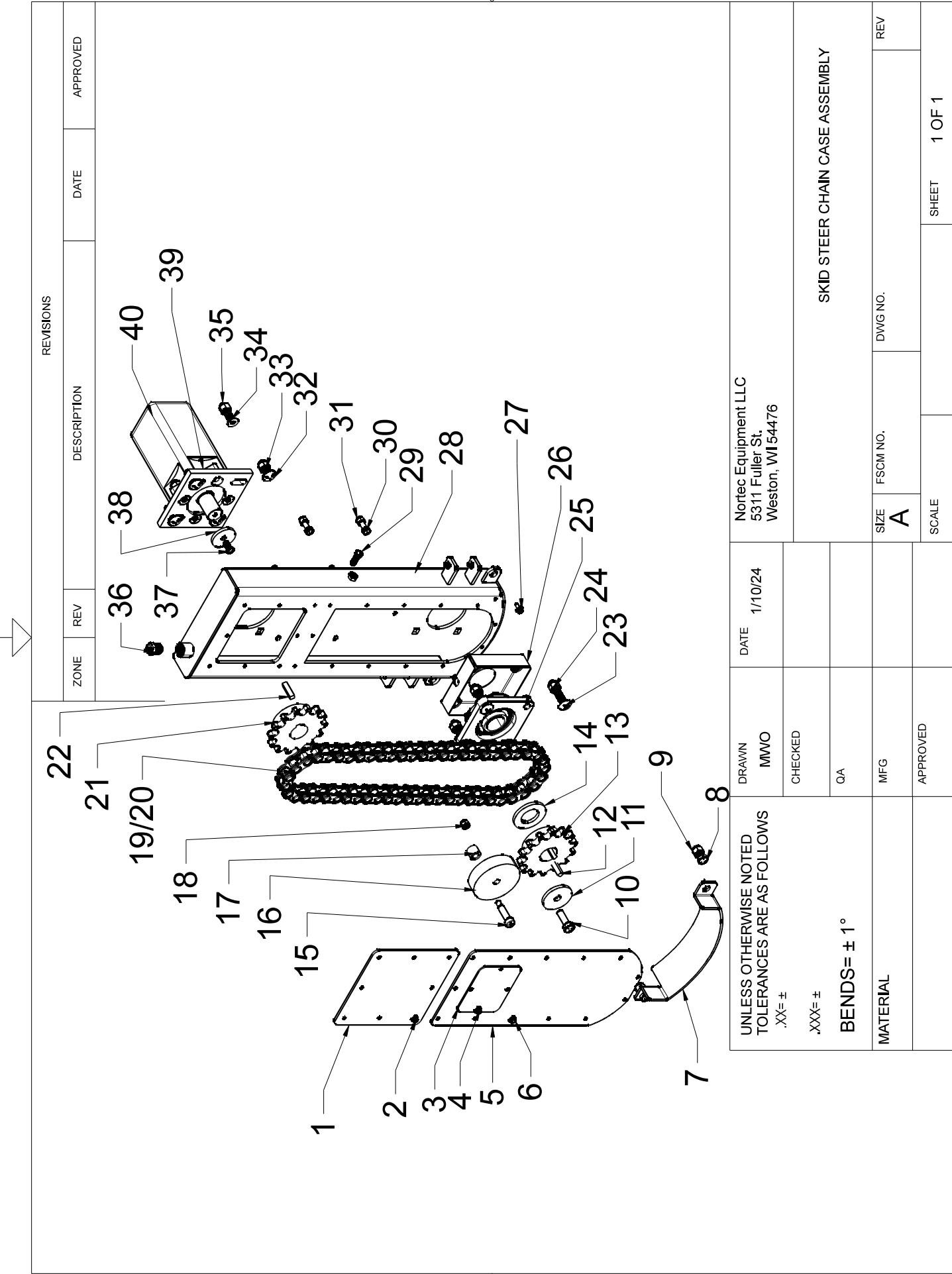
NE-510000-X

Item #	Part Number	QTY	Description
1	NE-510001-X	1	Skid Material Bar Frame
2	NE-500003-X	2	Material Bar Rubber
3	NE-500002-X	2	Washer Plate
4	NE-500004	2	Bar Mount Washer/nut
5	BA2591	Y	Carr. Bolt 5/16-18 x 1-1/2 Gr5
6	CG021	Y	Nylock Nut 5/16-18

Machine Length=X

Y=Quantity

4ft	5ft	6ft	7ft	8ft X	9ft
X=4	X=5	X=6	X=7	X=8	X=9
Y=12	Y=16	Y=16	Y=18	Y=22	Y=22



REVISIONS

ZONE	REV	DESCRIPTION	DATE	APPROVED

Nortec Equipment LLC 5311 Fuller St. Weston, WI 54476		DATE	1/10/24
SIZE	FSCM NO.	DWG NO.	REV
A			
SCALE		SHEET	1 OF 1

DRAWN	MWO
CHECKED	QA
MFG	
APPROVED	

UNLESS OTHERWISE NOTED
TOLERANCES ARE AS FOLLOWS
.XX= ±
.XXX= ±
BENDS= ± 1°
MATERIAL

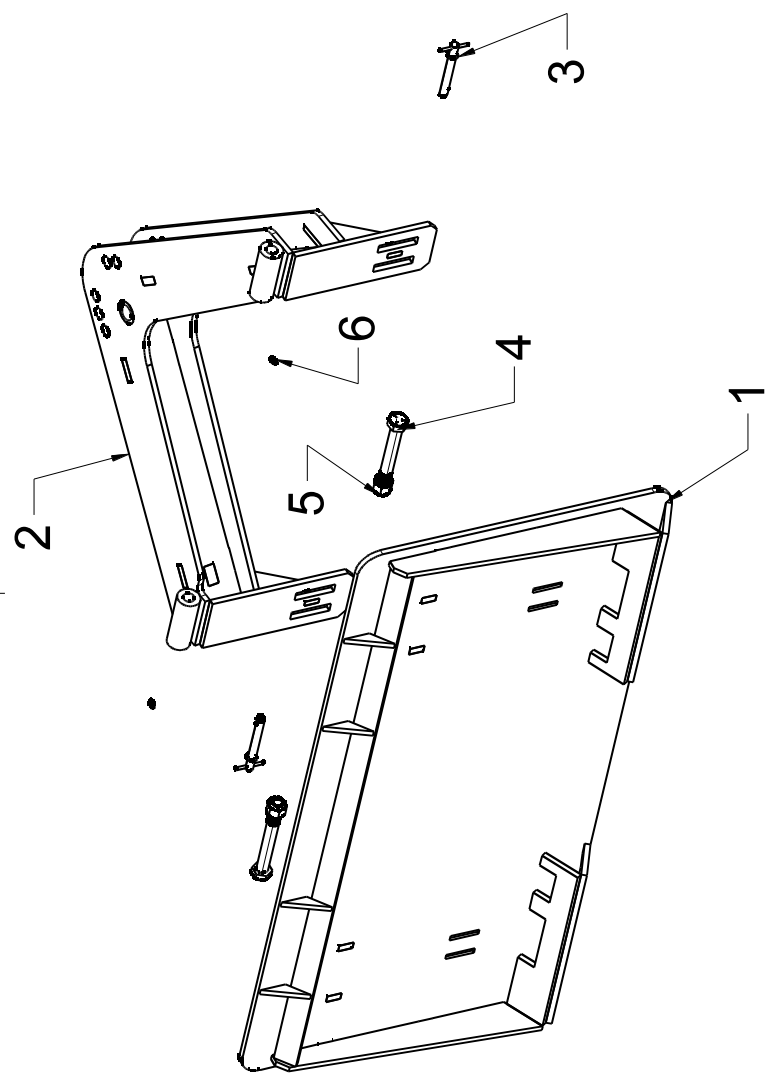
SKID STEER CHAIN CASE ASSEMBLY

Skid Steer Chain Case Assembly

Item #	Part Number	QTY	Description
1	NE-100001-37	1	Skid Top Chain Case Cover
2	AI650040	8	Flange Bolt 1/4-28 x 1/2 Gr5
3	NE-100001-8	1	Inspection Cover
4	AI650040	4	Flange Bolt 1/4-28 x 1/2 Gr5
5	NE-100001-7	1	Bottom Chain Case Cover
6	AI650040	13	Flange Bolt 1/4-28 x 1/2 Gr5
7	NE-100001-42	1	Chain Case Shoe
8	AC205	2	Hex Bolt 1/2-13 x 1 Gr5
9	CG030	2	Nylock Nut 1/2-13
10	AG209	1	Hex Bolt 1/2-20 x 1-1/2 Gr5
11	NE-100001-20	1	Rotor End Washer
12	NE-100001-18	1	Key 3/8 Sq. x 1-1/2
13	NE-100001-15	1	Sprocket #80 14T
14	NE-100001-11	1	Chain Case Lower ASM Washer
15	BF352	1	Shoulder Bolt 1/2 x 1-1/2
16	NE-100001-23	1	Compensator Wheel
17	NE-100001-24	1	Spacer
18	CG024	1	Nylock nut 3/8-16
19	NE-100001-16	1	Chain 80H (4.3ft)
20	NE-100001-21	1	Chain Maser Link 80H
21	NE-100001-28	1	Sprocket #80 14T (Motor)
22	NE-100001-18	1	Key 3/8 Sq. x 1-1/2
23	BF564	4	Carr. Bolt 1/2-13 x 2-1/2 Gr5
24	CG030	4	Nylock Nut 1/2-13
25	NE-100001-17	1	Flange Bearing 1-1/2
26	NE-100001-14	1	Lower Bearing Cover
27	AI650040	1	Flange Bolt 1/4-28 x 1/2 Gr5
28	NE-100001	1	Chain Case
29	AC103	1	Hex Bolt 3/8-16 x 3/4 Gr5
30	AC109	4	Hex Bolt 3/8-16 x 1-1/2 Gr5
31	CG024	4	Nylock Nut 3/8-16
32	BA5591	4	Carr. Bolt 1/2-13 x 1-1/2 Gr5
33	CG030	4	Nylock Nut 1/2-13
34	BD365	4	Flat Head 1/2-13 x 2 Gr5
35	CG030	4	Nylock Nut 1/2-13
36	NE-100001-35	1	Chain Case Breather
37	AC103	1	Hex Bolt 3/8-16 x 3/4 Gr5
38	NE-100001-51	1	Motor Sprocket Washer
39	NE-100001-36	1	Motor Mount Plate
40	YSMY-315	1	Hyd Motor
41	NE-100001-54	1	Gasket Kit

Note: For Mini Skid Steer units, Item# 40-substitute Part# YSMY-250 in place of YSMY-315.

REVISIONS				
ZONE	REV	DESCRIPTION	DATE	APPROVED

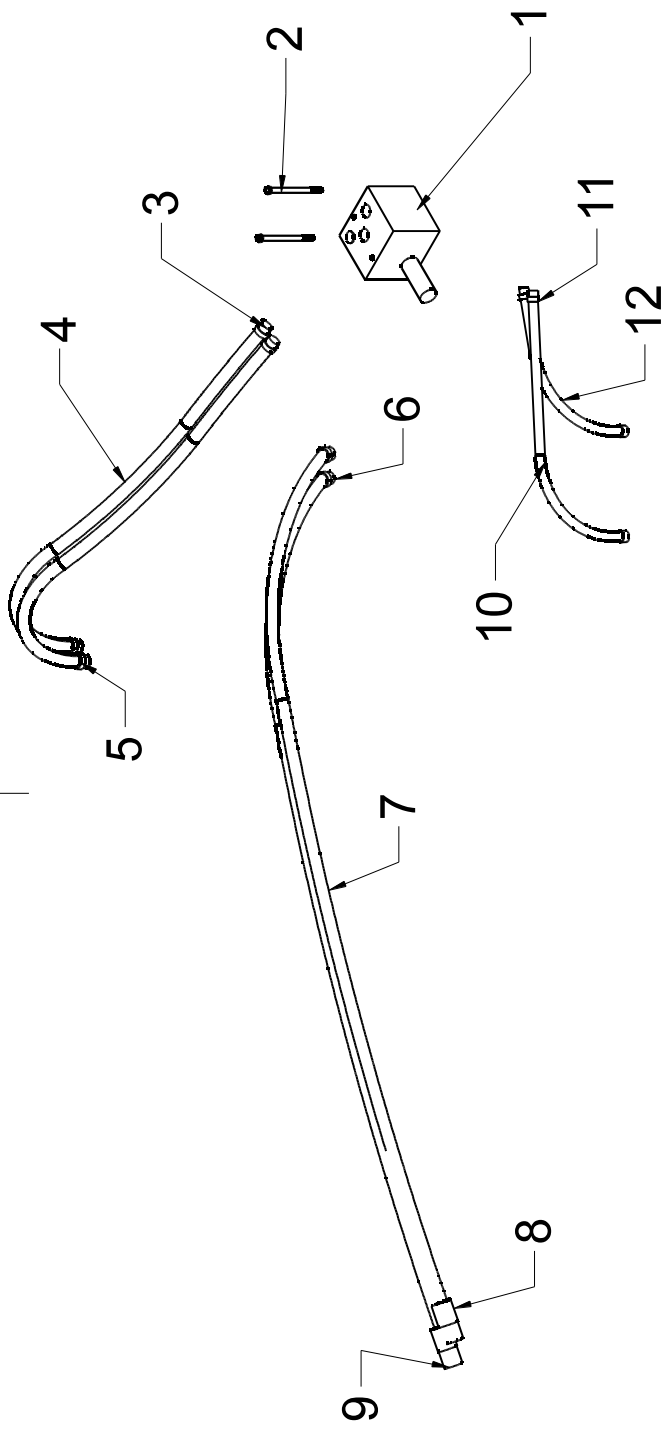


UNLESS OTHERWISE NOTED TOLERANCES ARE AS FOLLOWS .XX= ± .XXX= ± BENDS= ± 1° MATERIAL	DRAWN MWO	DATE 1/10/24	Nortec Equipment LLC 5311 Fuller St. Weston, WI 54476	
	CHECKED		SIZE A	DWG NO.
	QA		FSCM NO.	REV
	MFG		SCALE	SHEET 1 OF 1
	APPROVED		SKID FREE-FLOAT MOUNT ASSEMBLY	

Free-Float Mount

Item #	Part Number	QTY	Description
1	NE-230000	1	Skid Float Attach Plate
2	NE-220000	1	Skid Float Hitch Frame
3	NE-600003	2	Mount Lock Pin (1/2")
4	AC376	2	Hex Bolt 3/4-10 x 6-1/2 Gr5
5	CG039	2	Nylock Nut 3/4-10
6	F0102	2	Grease Zerk 1/8 NPT Straight

REVISIONS				
ZONE	REV	DESCRIPTION	DATE	APPROVED



UNLESS OTHERWISE NOTED TOLERANCES ARE AS FOLLOWS .XX= ± .XXX= ± BENDS= ± 1° MATERIAL	DATE	1/11/24	Nortec Equipment LLC 5311 Fuller St. Weston, WI 54476	
	DRAWN	MWO	SKID STEER HYDRAULIC ASSEMBLY	
	CHECKED	QA	SIZE	FSCM NO.
	MFG	APPROVED	A	DWG NO.
			SCALE	REV
				1 OF 1

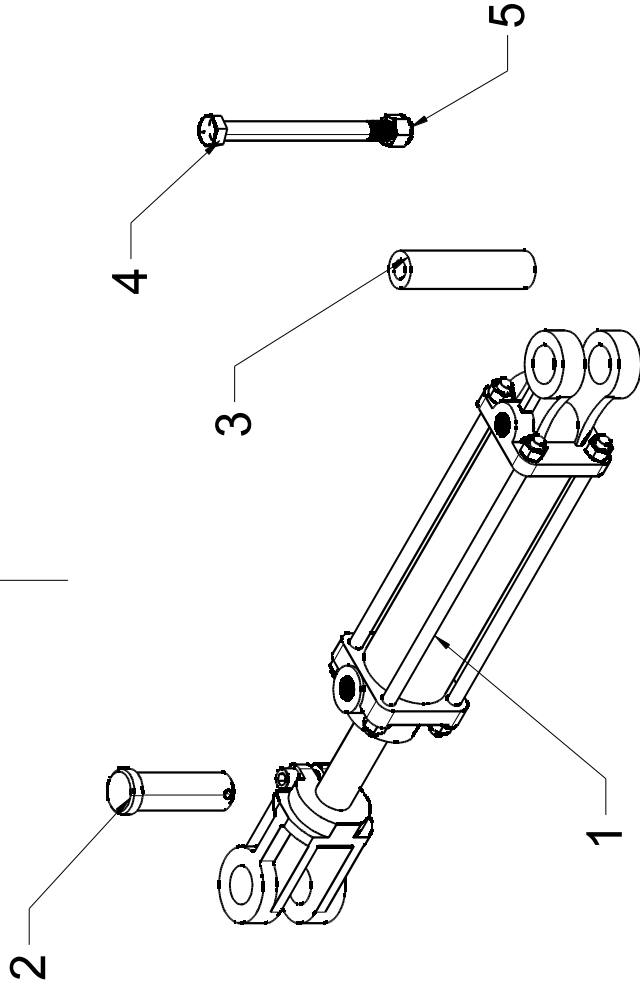
Skid Steer Hydraulics

Item #	Part Number	QTY	Description
1	NE-1100018	1	Hyd Valve
2	AB123	2	Hex Bolt 3/8-16 x 5 Gr5
3	NE-110034	2	SAE 12(male) x 1/2npt(female)
4	NE-110036-X	2	Hyd Hose 1/2 with 1/2npt male ends
5	NE-110015	2	SAE 10(male) x 1/2npt swivel(female)
6	NE-110034	2	SAE 12(male) x 1/2npt(female)
7	NE-110025	2	Hyd Hose 1/2" with 1/2npt ends
8	NE-110021	1	Flat Faced Coupler (1/2npt)
9	NE-110022	1	Flat Faced Nipple (1/2npt)
10	NE-110037	1	Hyd Hose 3/8 x 24" with 3/8npt male ends
11	NE-110035	2	SAE 06(male) x 3/8npt swivel(female) 90°
12	NE-110038	1	Hyd Hose 3/8 x 18" with 3/8npt male ends

NE-110036-X Hose Length

6Ft	7FT	8FT	9FT
48"	48"	60"	60"

REVISIONS				
ZONE	REV	DESCRIPTION	DATE	APPROVED

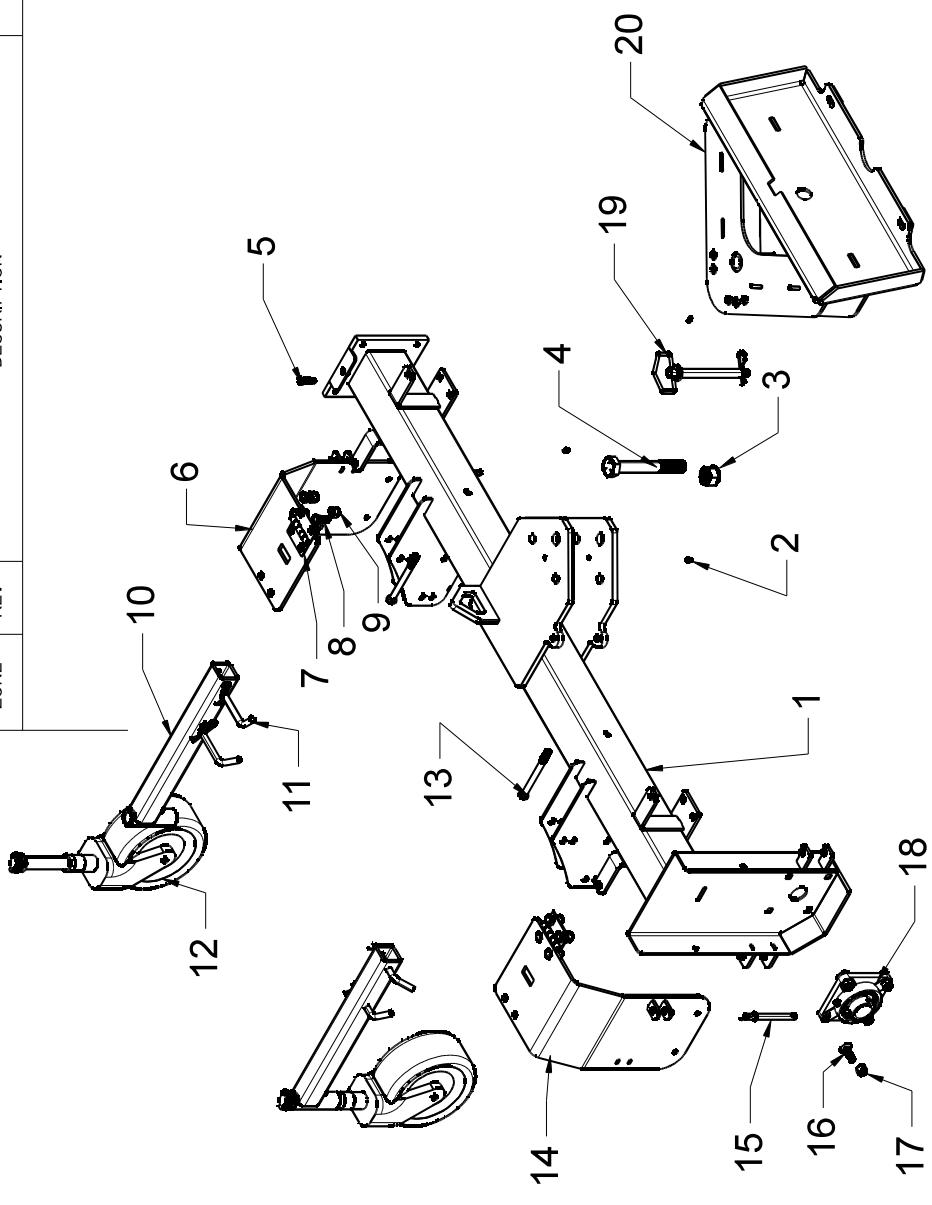


UNLESS OTHERWISE NOTED TOLERANCES ARE AS FOLLOWS .XX= ± .XXX= ± BENDS= ± 1° MATERIAL	DRAWN MWO	DATE 1/10/24	Nortec Equipment LLC 5311 Fuller St. Weston, WI 54476	
	CHECKED QA		HYD CYLINDER ASSEMBLY	
	MFG		SIZE A	FSCM NO.
	APPROVED		DWG NO.	REV
			SCALE	SHEET 1 OF 1

Hydraulic Cylinder Assembly

Item #	Part Number	QTY	Description
1	NE-110002	1	Hyd Cyl. 2"bore 6" stroke
2	NE-110031	1	Hyd Cyl pin 1"
3	NE-200001-5	1	Hyd Cyl Pivot Tube
4	AC226	1	Hex Bolt 1/2-13 x 6.5 Gr5
5	CG030	1	Nylock Nut 1/2-13

REVISIONS				
ZONE	REV	DESCRIPTION	DATE	APPROVED



UNLESS OTHERWISE NOTED TOLERANCES ARE AS FOLLOWS .XX= ± .XXX= ± BENDS= ± 1° MATERIAL	DRAWN MWO	DATE 10/10/24	Nortec Equipment LLC 5311 Fuller St. Weston, WI 54476	
	CHECKED QA		MINI SKID STEER FRAME ASSEMBLY	
	MFG		SIZE A	FSCM NO.
APPROVED			DWG NO.	REV
			SCALE	SHEET 1 OF 1

Mini-Skid Steer Frame Assembly

Item #	Part Number	QTY	Description	
1	NE-450000-X	1	Mini-Skid Steer Frame	
2	F0102	3	Grease Zerk 1/8 NPT Straight	
3	CG0458	1	Nylock Nut 1-8 Gr8	
4	AE476	1	Hex Bolt 1-8 x 6.5 Gr8	
5	AC109	1	Hex Bolt 3/8-16 x 1-1/4 Gr5	
6	NE-610000	1	Right Side End Shield	
7	NE-600002	2	Shield Hinge	
8	AC205	8	Hex Bolt 1/2-13 x 1 Gr5	
9	CG030	8	Nylock Nut 1/2-13	
10	NE-70000	2	Guidwheel Arm	
11	NE-110032	4	1/2 Bent Pin 4"	
12	NE-70005	2	Guide Wheel Assembly	
13	AC223	2	Hex Bolt 1/2-13 x 5 Gr5	
14	NE-620000	1	Left Side End Shield	
15	NE-600003	2	Shield Lock Pin (1/2")	
16	BF5611	4	Carr. Bolt 1/2-13 x 2 Gr5	
17	CG030	4	Nylock Nut 1/2-13	
18	NE-100001-17	1	Flange Bearing 1-1/2	
19	NE-110045	1	.75 x 7.75 OAL Pin	
20	NE-250000	1	Mini-Skid Mount(Universal)	
Sub	20	NE-260000	1	Mini-Skid Mount(Bobcat MT)

Machine Length =X

4ft	5ft
X=4	X=5