

Safety and Operations Guide

PLEASE READ and following instructions BEFORE using your Fireplace Enclosure.

1. NEVER build extremely large fires. Build moderate fires only.
2. DO NOT put combustible materials on the hearth.
3. DO NOT use flammable liquids (gasoline, kerosene, charcoal lighter fluid, etc.) to start the fire. An explosion may result.
4. DO NOT allow excessive ashes or unburned materials to build up in the firebox.
5. DO NOT clean metal surfaces with ammonia-based cleaners or with abrasive powders. Frequent cleaning of the door with a soft cloth and a good furniture polish will maintain a beautiful finish for many years.
6. DO NOT clean glass while it is hot or breakage may occur.
7. INSPECT the fireplace and the chimney twice monthly during the heating season for soot and creosote build-up.
8. CLEAN the chimney yearly. Brushes are recommended. Use chemical cleaners with caution.
9. ALWAYS maintain a minimum clearance of 8 inches between the firescreen and the fire.
10. ALWAYS keep the screen closed when using the fireplace
11. BURN hardwoods only. Never use cardboard or plywood for burning purposes

Damper Operation

With your Fireview Fireplace Enclosure you need not close your flue damper. You can simply close the damper on the glass door to effectively reduce the airflow into the firebox. This procedure is not only more convenient but it also aids the fire burndown thus preventing the heat in your home from escaping up the chimney.

Experiment with different damper settings until you find the position which provides your desired optimal burning. Your optimal burning efficiency will also reduce or eliminate any smoke emission problems.

Your Fireview Fireplace Enclosure as with any other type of door is not recommended for use on only one side of a "See-Through" type fireplace (a fireplace with openings on opposite sides with each side in a different room). A door placement on only one side of a double sided fireplace opening as described above could create unequal draft conditions which may cause sufficient misdirection of flame to scorch your firescreen's finish and darken or possibly break the glass panels. The Fireview Fireplace Enclosure is not warranted against damage when used on only one side of a "See Through" fireplace.

When Fireview Series Fireplace Enclosures are installed on both sides equalization of drafts are made possible with proper damper settings on each firescreen door.



CUSTOM FIRESCREEN, INC.
Des Moines, Iowa 50314

Custom Firescreen Inc. Limited Warranty

General

Custom Firescreen, Inc.'s products are warranted to be free from any defects in materials and/or workmanship which occurs during normal use for a period of one year from the date of original purchase, except wherein specific items are stated otherwise. This warranty does not cover damage which occurs in shipment or failures or faults which result from accident, misuse, neglect, mishandling, misapplication, any alteration or faulty installation.

Obligation of the owner

The owner should read and follow the listed instructions and the "Safety and Operation Guide." If it becomes necessary to return the product during the warranty period the owner is advised to be guided by the Dealer from whom the purchase was made for assistance and instruction. Custom Firescreen Inc. must be notified before any product is returned to the factory for warranty performance. Custom Firescreen, Inc. reserves the option of determination of cause to repair or replace the malfunctioning product

Limits and Exclusions

There are no expressed or implied warranties except as listed above.

Custom Firescreen, Inc. shall not be liable for incidental or consequential damage resulting from improper use of this product or arising out of any breach of warranty including without limitation. Damage to firebox chimney and fireplace internal and external support structures. This warranty is extended only to the original purchaser. A purchase receipt or other proof of date of purchase will be required before warranty performance is rendered.

This warranty gives you specific legal rights and you may have other rights which vary from state to state.

For Your Record:

Date Purchased: _____

Purchased from: _____ Phone: _____



Custom Firescreen



Fireview

Fireplace Glass Enclosure Installation, Safety, and Operations Guide



CUSTOM FIRESCREEN, INC.
Des Moines, Iowa 50314

CONGRATULATIONS! On your purchase of a Fireview Fireplace Enclosure. Your fireplace enclosure was manufactured by a team of special craftsmen. The trim sleek look created by our highly trained specialists, have set the standard for the industry. You will enjoy many years of satis-

IMPORTANT! (BEFORE INSTALLATION)

Hydrochloric (muriatic) acid is often used by builders to clean excess mortar from newly built fireplaces. The fumes from this acid are highly caustic and will damage the finish from your fireplace equipment unless neutralized. To neutralize the effects of this acid, wash the masonry with baking soda and rinse thoroughly with clean water before having the enclosure in-

Unpack carefully the glass enclosure from its containers. Carefully remove the plastic coverings from all parts. Use the following checklist to insure that all of the door's components have been received:

- A. Frame (1)
- B. 1/4" Sleeve Anchors and mounting brackets (4)
- C. Insulation strips
- D. Glass Doors

Step 1: Preparation

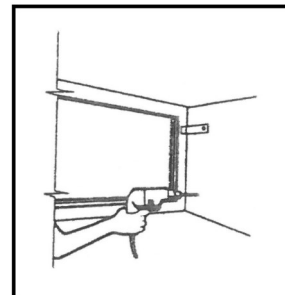
Assemble the following tools to be used as your basic installation .

- A. Electric drill or Hammer drill
- B. Screwdriver
- C. Phillips head screwdriver
- E. 1/4" Masonry Bit
- F. Level

Step 2: Frame Check for a perfect fit and balance

Slide frame onto the fireplace opening.

Balance the outer frame (without doors attached) in the center of the fireplace opening with the outer edges equidistant to each side of the firebox. The base of the frame should rest on the firebox floor.



Screws have been placed on the back of the frame for mounting the mounting brackets but can be moved if needed to match up to a joint between the brick. Also the screen brackets can be moved in at the top and also down if needed for the screen to fit in the fireplace opening. Fasten with an anchor an anchor at the top first. Continue with rest of the brackets till the frame is mounted where you want it. (See illustration)

Step 3: Positioning the glass doors on the frame and adjustments

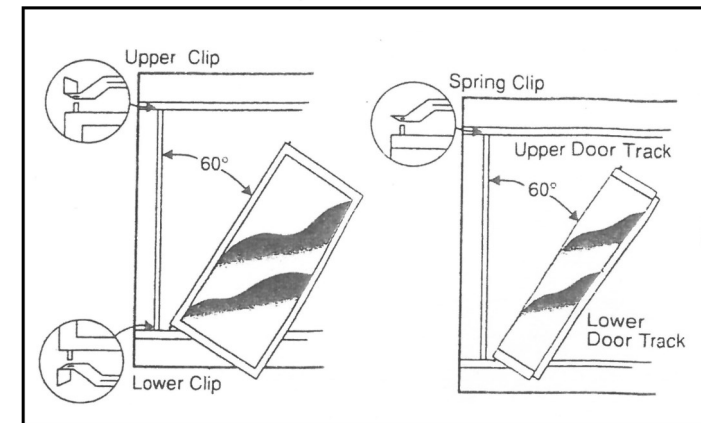
NOTE: The doors have been pre-installed and aligned correctly at the factory but they have been packaged separately for shipment.

For a bi-fold glass enclosure follow the instructions part (A). For foldback door styling go to the instructions in part (B).

(A) To insert your bifold glass doors in the frame carefully fold the glass panels until they meet. Tilt the glass panels to a 60° angle and insert the bottom rod pivot into the lower track bracket. Then raise the glass panels to a vertical position. Be careful to keep the upper rod pivot and track mechanism within the upper track. When fully vertical the top rod pivot should snap into the upper spring clip. Repeat this same procedure on the other side.

(B) To insert the bifold foldback door into the frame remove the lower and upper screws in the hinge blocks. Position the doors so the door hinges set into the hinge blocks. This may take two people to do correctly. Now replace the screws in the hinge blocks. Do this to both sides. Be careful not to let the doors hit in the middle.

To adjust your bifold or foldback door loosen the adjustment bracket screws slightly and slide brackets to the proper position then re-tighten screws. Do not over tighten just snug is good. Do this on all four brackets. When adjusted properly doors will operate smoothly and have an equal margin between frame and glass on sides.



Step 4: Sealing the glass enclosure

It is important to properly seal the glass enclosure frame to the fireplace opening. Use the high temperature fiberglass insulation provided to fill in the gap between the frame and the fireplace on the top and sides. For best results push the insulation into the gap from the back side of the frame. As an alternative sealing method you can use a high temperature silicone.

