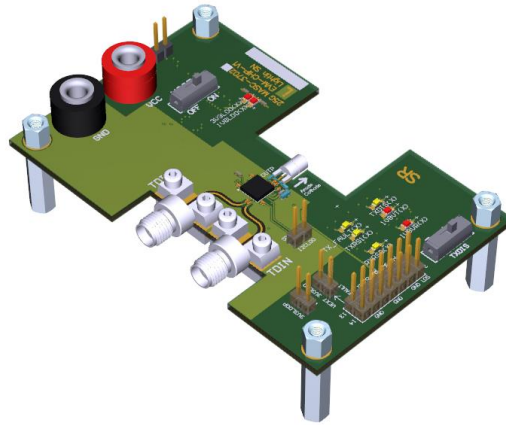


## 25G SR CHIP EVM

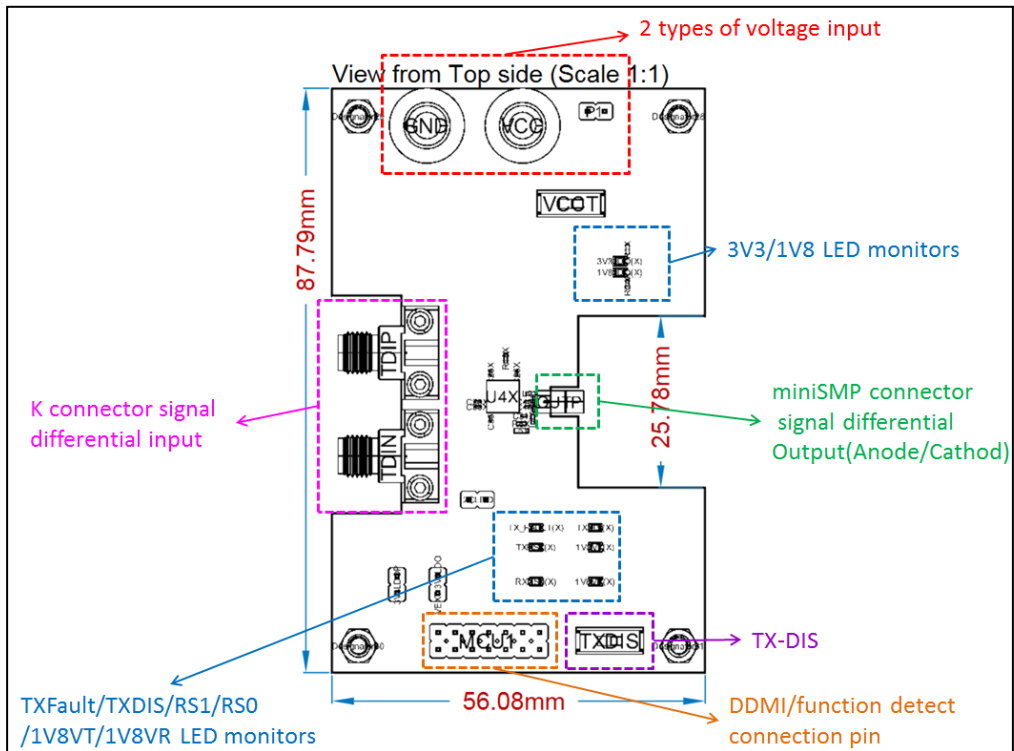
Part Name : 25G SR CHIP EVM-V1



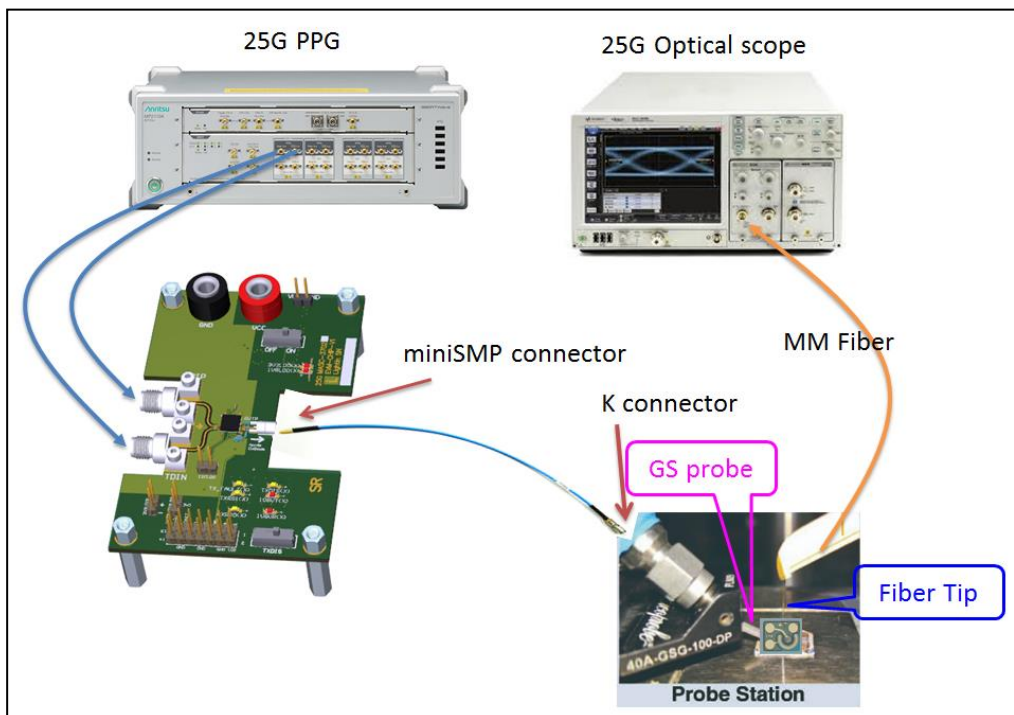
- Operation Temp:-40~+85C
- Support 25G SR(VCSEL)  
Chip probe test
- Software support for IC  
(Control all function)
- Support TOSA bias  
12.8mA/modulation  
~1100mVpp
- Support TX/RX output eye  
diagram performance  
tunning
- CDR for 24.0~26.5Gpbs ,  
19.6~23Gbps , half rate  
re-timing
- 180 degree SMA cable  
support on input(electrical)  
port
- 180 degree miniSMP cable  
support on output(optical)  
port
- 3.3V voltage supply



## Function Block



## EVM / Probe station connection





## EVM output 25Gbps signal verify

