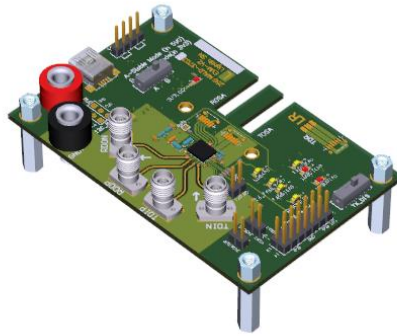


25G SR TOSA ROSA EVM

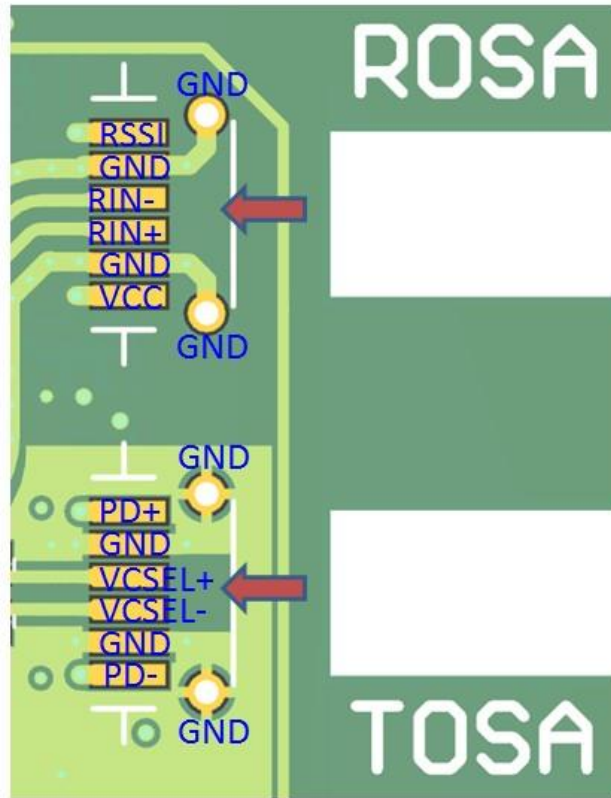
Part Name : 25G SR TOSA ROSA EVM-V2



- Operation Temp:-40~+85°C
- Support 25G SR(VCSEL) TOSA / PIN ROSA with 6pin Flexible PCB(standard pitch 0.79mm)
- Software support for IC (Control all function) with I2C control Kit(Optional)
- Build in CDR(TX and RX ON/OFF mode)
- Build in BER function(PRBS PPG inside)
- Build in Optical / Electrical Loopback function
- Support TOSA bias 12.8mA/ modulation~1100Vpp
- Support TX/RX output eye diagram performance tuning
- MCU:C8051F392 Support for transceiver design
- FPC fixture hole support
- ROSA FPC pin definitions invert support
- Option:Rev28:CDR for 24.0~26.5Gpbs ,19.6~23Gbps,half rate re-timing
- Rev29: CDR for 25.5~28.1Gpbs,19.6~23Gbps,half rate re-timing
- 90 degree K connector for RF cable support
- Matching all trace length of TX/RX
- TX Disable Switch control
- Two voltage mode(3.3V tuning mode / 3.3V fixed mode)
- Pin control for TXRS1/RXRS0
- ROSA RSSI current monitor pin support
- Board size:88x56mm



TOSA/ROSA FPC Pin definitions(Initial)



TOSA/ROSA soldering view



Function Block

