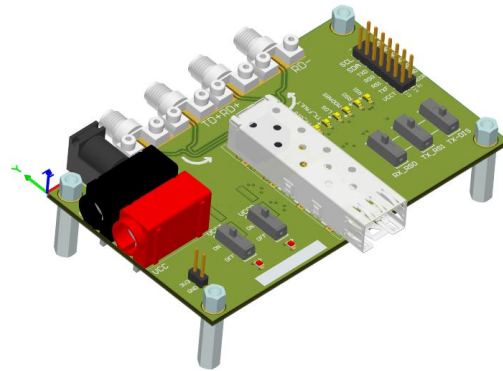


SFP+28 Test Board

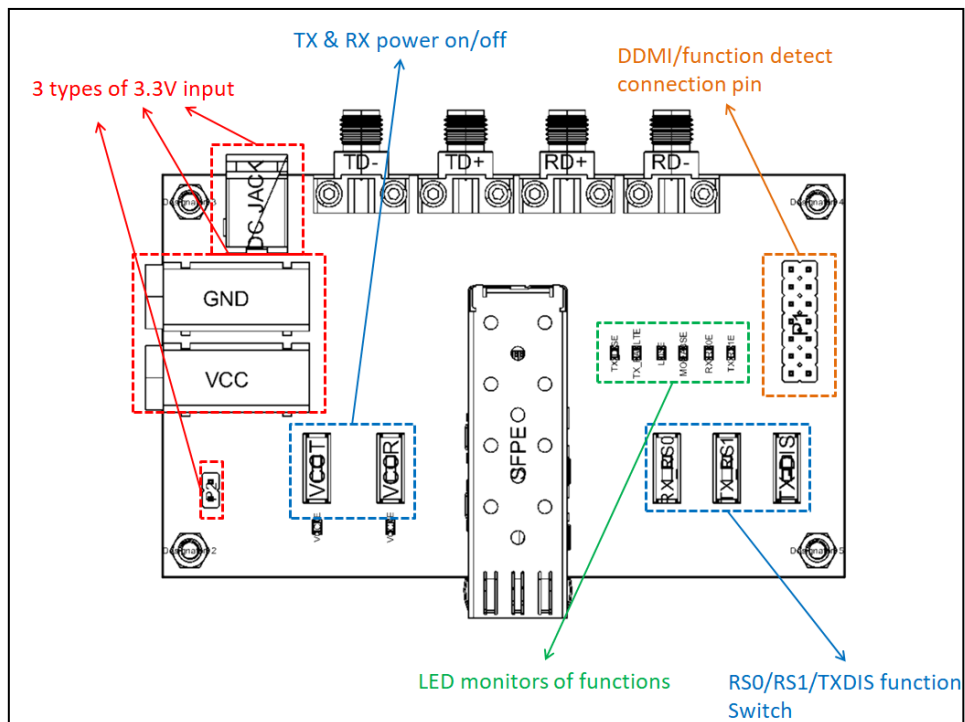
Part Name : LI-SFP28-H-A5

- Operation Temp:-40~+85°C
- Support SFP / SFP+ / SFP+28 Transceiver
- DDMI Connection(I2C)
- Pin for Standard MSA
- 3 types VCC input (Header pin / 4mm Barana/Jack)
- Switch control(VCCT/ VCCR/TXDIS/TXRS1/ RXRS0)
- LED monitor(VCCT/VCCR / TXDIS/TXFAULT/ RS1/RS0/ RXLOS/MODABS)



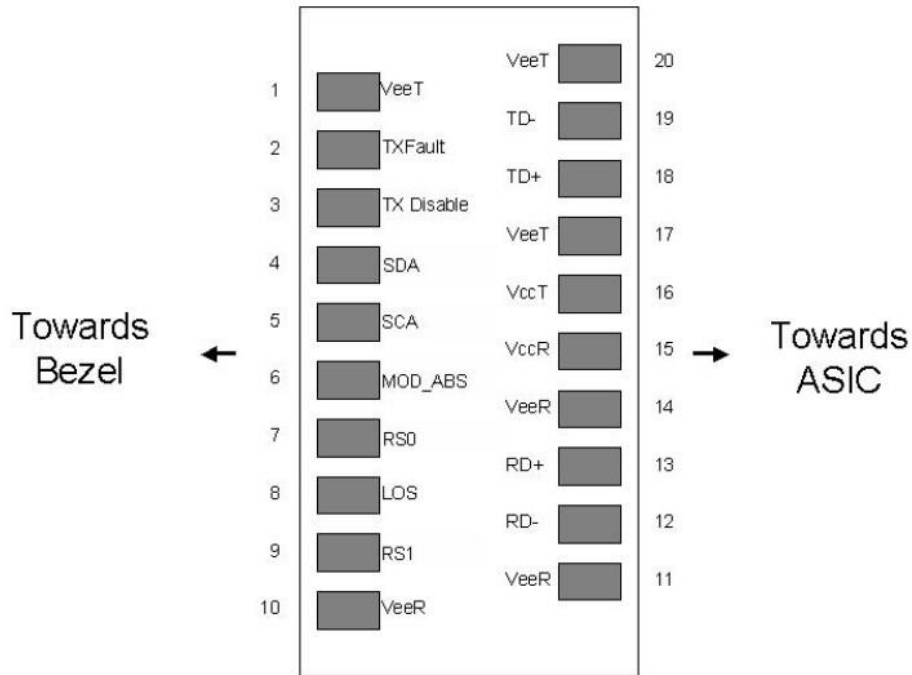
PCB color for reference

- 4 fixed columns
- Support SFP+ cage
- 180 degree RF cable assembly
- Board size:100x59mm
- Connector durability:250 cycles(min)

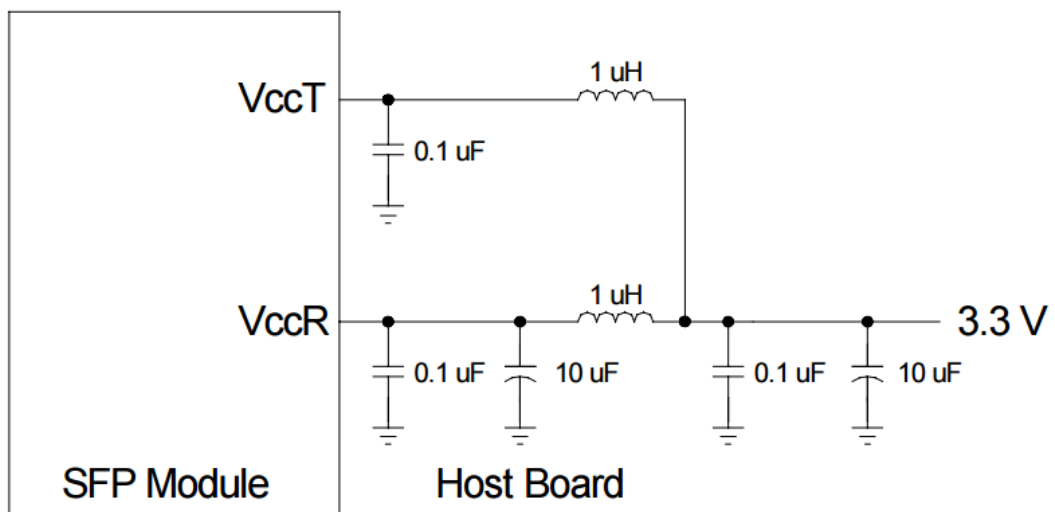




SFP module Pin definitions

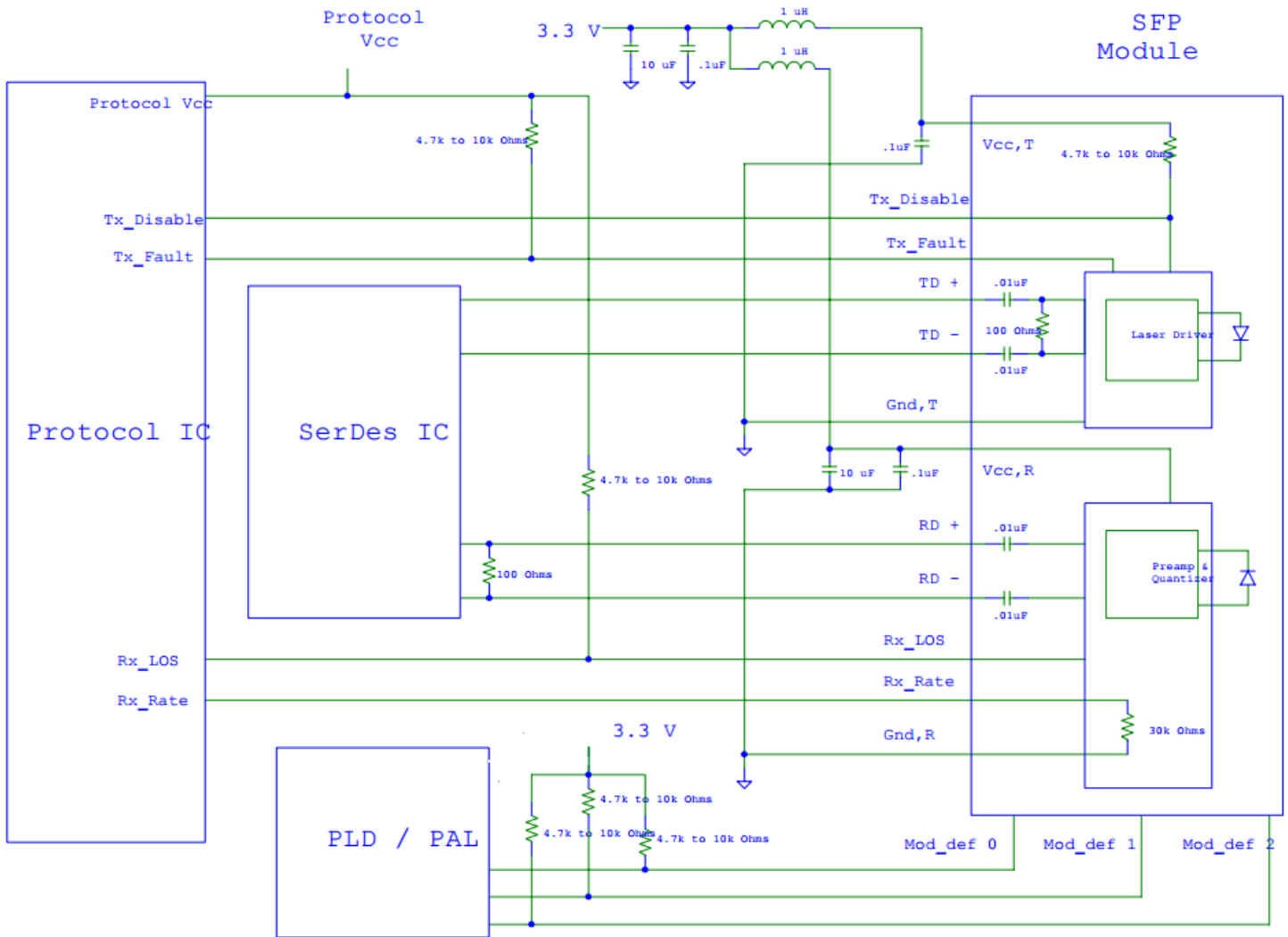


Supply Filtering Network





Reference Schematic



V1.0