

Dental Stools



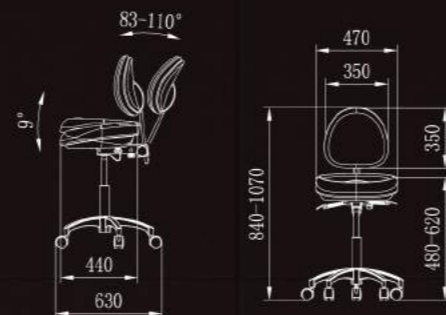
ADS Dental System Inc.



D3 Doctor stool

Part number: A080103

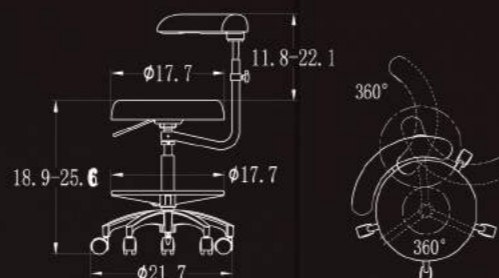
Chrome plated pneumatic cylinder
Height adjustment,
Backrest forward backward adjustment,
Seat surface adjustment,
Contoured seat & back,
Fiber leather upholstery
Cast aluminum star,
Quiet twin wheel casters,
1 year warranty



N4 Assistant stool

Part number: A080224

Round seat,
Fiber leather upholstery,
Chrome plated pneumatic cylinder
Adjustable chrome foot ring
Cast aluminum star
Ratcheting body support,
1 year warranty



Color sample

Ultra fiber leather



ADS Dental System Inc.



Technical support: 800 488 9708

Tel: (626) 620 0456

Add: 13900 Sycamore Way, Chino, CA 91710

www.adsequip.com

sales@adsequip.com

Chair

2018 / 2019 EDITION

AJ16 Chair

Part number: A091602

Luxury hydraulic chair with 3 programmable positions.
Reliable hydraulic system makes powerful and stable movement.
5 year warranty.



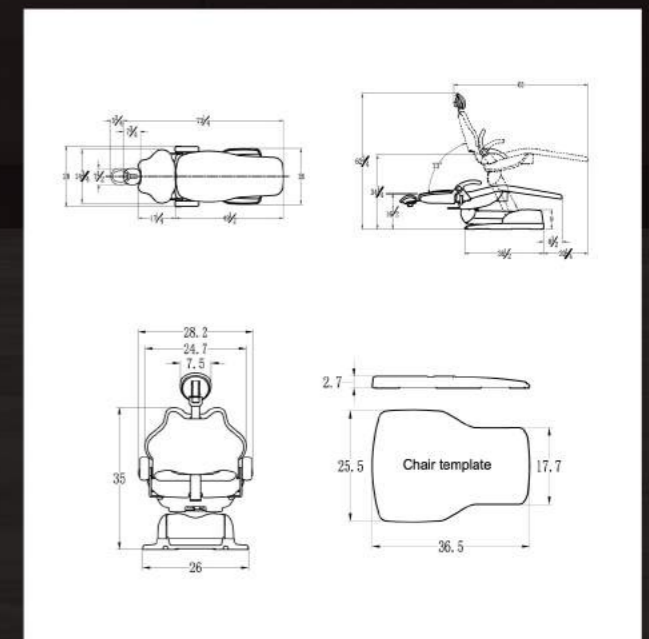
Specifications:

Weight	366lbs;
Max patient load	550lbs;
Electrical requirements	AC110V±22V; 50HZ, 60HZ;
Environmental requirements	Ambient temperature 5 °C~40 °C; Humidity < 80%; Atmospherical pressure 8.7psi~15.4psi;
Hydraulic pump run time	Intermittent operation 2min On / 18min Off;



AJ16 Features:

Articulating headrest,
Swing up/ down aluminum armrest,
One touchpad attached on armrest,
Wide backrest, cast aluminum backrest stand,
Cast aluminum base,
60 Degrees seat rotation,
Chair safety switch,
Upgraded fiber leather,
Foot control



AJ15 Chair

Part number: A091502

Hydraulic chair with 3 programmable positions.
Reliable hydraulic system makes powerful and stable movement.
5 year warranty.

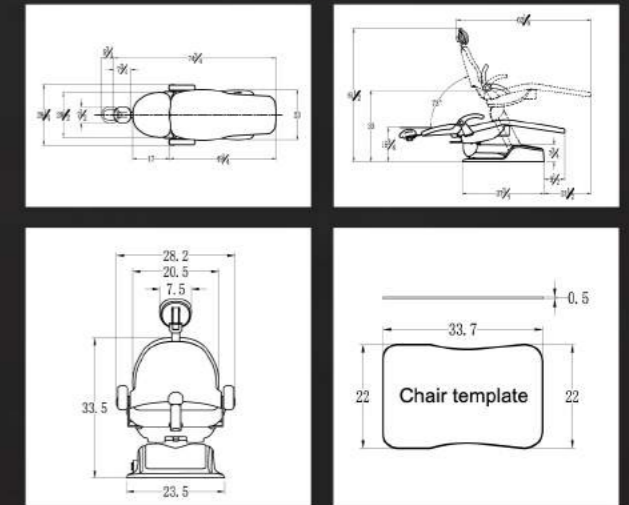
Specifications:

Weight	364lbs;
Max patient load	550lbs;
Electrical requirements	AC110V±22V; 50HZ, 60HZ;
Environmental requirements	Ambient temperature 5 °C~40 °C; Humidity ≤ 80%;
Hydraulic pump run time	Atmospherical pressure 8.7psi~15.4psi; Intermittent operation 2min On / 18min Off;



AJ15 Features:

- Articulating headrest,
- Swing up/ down aluminium armrest,
- One touchpad attached on armrest,
- Narrow backrest, steel backrest stand,
- Upgraded fiber leather,
- Cast iron chair frame,
- Steel base plate,
- 60 Degrees seat rotation,
- Chair safety switch,
- Foot control



AJ12 Chair

Part number: A091201

Electromechanical chair with 3 programmable positions.
5 year warranty.



Specifications:

Weight	320lbs;
Max patient load	400lbs;
Electrical requirements	AC110V±22V; 50HZ, 60HZ;
Environmental requirements	Ambient temperature 5 °C~40 °C; Humidity ≤ 80%; Atmospherical pressure 8.7psi~15.4psi;
Motor run time	Intermittent operation 30s On / 5min Off;



AJ12 Features:

- Articulating headrest,
- Swing out armrest,
- One touchpad attached on armrest,
- Wide backrest, steel backrest stand,
- Steel base plate,
- Chair safety switch,
- Upgraded fiber leather,
- Foot control

