

Dental Stools



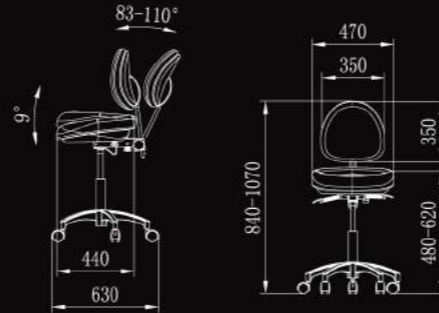
ADS Dental System Inc.



D3 Doctor stool

Part number: A080103

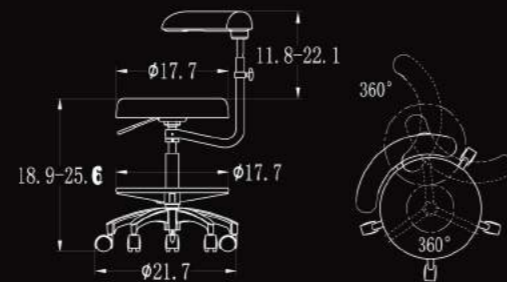
Chrome plated pneumatic cylinder
Height adjustment,
Backrest forward backward adjustment,
Seat surface adjustment,
Contoured seat & back,
Fiber leather upholstery
Cast aluminum star,
Quiet twin wheel casters,
1 year warranty



N4 Assistant stool

Part number: A080224

Round seat,
Fiber leather upholstery,
Chrome plated pneumatic cylinder
Adjustable chrome foot ring
Cast aluminum star
Ratcheting body support,
1 year warranty



Color sample

Ultra fiber leather



ADS Dental System Inc.

Technical support: 800 488 9708

Tel: (626) 620 0456

Add: 13900 Sycamore Way, Chino, CA 91710

www.adsequip.com

sales@adsequip.com



Operatory Packages

AJ16 Beyond series

Durable & Comfortable



AJ16 Beyond401

Part number: A9164012

Standard Features

- Swing Beyond dentist's control head, Standard touchpad,
- Cast aluminium delivery head base, double pivot delivery head, 3 auto H.P. control,
- Individual water coolant controls,
- Master handpiece air coolant adjustment,
- Asepsis handpiece tubing,
- Master on/off switch, 1 doctor syringe, Wet/Dry foot control,
- Stainless steel tray with non-slip pad,
- City/bottled water system, 5 ft umbilical,
- Junction box with air/water filters, regulators, master shut-off valves,



- Chair mounted swing rear cuspidor and assistant vacuum package,
- Assistant touchpad, Water outlet and air QD on assistant tray,
- Solids collector,
- 2 HVE, 1SE, 1 syringe
- Post mount LED light with sensor control, 3 level intensity adjustment

AJ16 Beyond400

Part number: A9164002

Standard Features

- Swing Beyond dentist's control head, Standard touchpad,
- Cast aluminium delivery head base, double pivot delivery head, 3 auto H.P. control, Individual water coolant controls,
- Master handpiece air coolant adjustment, Asepsis handpiece tubing,
- Master on/off switch, 1 doctor syringe,
- Wet/Dry foot control, Stainless steel tray with non-slip pad,
- City/bottled water system, 5 ft umbilical,
- Junction box with air/water filters, regulators, master shut-off valves,



- Chair mounted swing rear assistant vacuum package,
- Assistant touchpad, Water outlet and air QD on assistant tray,
- Solids collector, 2 HVE, 1SE, 1 syringe
- Post mount LED light with sensor control, 3 level intensity adjustment

*Durable &
Comfortable*



AJ16 Beyond301

Part number: A9163012

Standard Features

- Beyond luxury dentist's control head, Standard touchpad,
- Cast aluminium delivery head base, double pivot delivery head, with 3 auto H.P. control,
- Individual water coolant controls,
- Master handpiece air coolant adjustment,
- Asepsis handpiece tubing,
- Master on/off switch, 1 doctor syringe, Wet/Dry foot control,
- Stainless steel tray with non-slip pad, Flex arm air brake switch,
- Porcelain cuspidor bowl with strainer, Cup fill & Bowl rinse toggles.
- Classic 100 Post mounted utility (PMU) with steel side box,
- City water/bottled system, Water outlet and air QD,
- Solids collector,
- 2 HVE, 1SE, 1 syringe on telescoping assistant's control,
- Junction box with air/water filters, regulators, master shut-off valves,
- 5 ft. umbilical
- Post mount LED light with sensor control, 3 level intensity adjustment



AJ16 Beyond300

Part number: A9163002

Standard Features

- Beyond luxury dentist's control head, Standard touchpad,
- Cast aluminium delivery head base, double pivot delivery head, with 3 auto H.P. control,
- Individual water coolant controls,
- Master handpiece air coolant adjustment,
- Asepsis handpiece tubing,
- Master on/off switch, 1 doctor syringe, Wet/Dry foot control,
- Stainless steel tray with non-slip pad, Flex arm air brake switch
- Beyond 300 Post mounted utility (PMU) with silver side box,
- City water/bottled system, Water outlet and air QD,
- Swing assistant tray with touchpad,
- Solids collector,
- 2 HVE, 1SE, 1 syringe, Aluminium base Junction box with air/water filters, regulators, master shut-off valves,
- 6' internal umbilical
- Post mount LED light with sensor control, 3 level intensity adjustment



AJ16 Classic series

Sturdy & Compact



AJ16 Classic201

Part number: A9162012

Standard Features

- Swing Classic dentist's control head with 3 auto H.P. control,
- Individual water coolant controls,
- Master handpiece air coolant adjustment,
- Asepsis handpiece tubing,
- Master on/off switch, 1 doctor syringe,
- Wet/Dry foot control, Stainless steel tray with non-slip pad,
- City/bottled water system, 5 ft umbilical,
- Junction box with air/water filters, regulators, master shut-off valves,
- Chair mounted swing rear assistant vacumm package,
- Water outlet and air QD on assistant tray,
- Solids collector,
- 2 HVE, 1SE, 1 syringe
- Post mount LED light with sensor control, 3 level intensity adjustment



AJ16 Classic200

Part number: A9162002

Standard Features

- Swing Classic dentist's control head with 3 auto H.P. control,
- Individual water coolant controls,
- Master handpiece air coolant adjustment,
- Asepsis handpiece tubing,
- Master on/off switch, 1 doctor syringe,
- Wet/Dry foot control, Stainless steel tray with non-slip pad,
- City/bottled water system, 5 ft umbilical,
- Junction box with air/water filters, regulators, master shut-off valves,
- Chair mounted swing rear assistant vacumm package,
- Water outlet and air QD on assistant tray,
- Solids collector,
- 2 HVE, 1SE, 1 syringe
- Post mount LED light with sensor control, 3 level intensity adjustment



Sturdy & Compact



AJ16 Classic 101

Part number: A9161012

Standard Features

- Classic dentist's control head with 3 auto H.P. control,
- Individual water coolant controls,
- Master handpiece air coolant adjustment,
- Asepsis handpiece tubing,
- Master on/off switch, 1 doctor syringe,
- Remote toggles for cup fill and bowl rinse, Wet/Dry foot control,
- Stainless steel tray with non-slip pad, Flex arm air brake switch,
- Porcelain cuspidor bowl with strainer, Cup fill & Bowl rinse toggles.
- Classic 100 Post mounted utility (PMU) with steel side box,
- City water/bottled system, Water outlet and air QD,
- Solids collector,
- 2 HVE, 1SE, 1 syringe on telescoping assistant's control,
- Junction box with air/water filters, regulators, master shut-off valves,
- 5 ft. umbilical
- Post mount LED light with sensor control, 3 level intensity adjustment



AJ16 Classic 100

Part number: A9161002

Standard Features

- Classic dentist's control head with 3 auto H.P. control,
- Individual water coolant controls,
- Master handpiece air coolant adjustment,
- Asepsis handpiece tubing,
- Master on/off switch, 1 doctor syringe, Wet/Dry foot control,
- Stainless steel tray with non-slip pad, Flex arm air brake switch
- Classic 100 Post mounted utility (PMU) with steel side box,
- City water/bottled system, Water outlet and air QD,
- Solids collector,
- 2 HVE, 1SE, 1 syringe on telescoping assistant's control,
- Junction box with air/water filters, regulators, master shut-off valves,
- 5 ft. umbilical
- Post mount LED light with sensor control, 3 level intensity adjustment



AJ15 Classic series

Strong & Simple



AJ15 Classic201

Part number: A9152012

Standard Features

- Swing Classic dentist's control head with 3 auto H.P. control,
- Individual water coolant controls,
- Master handpiece air coolant adjustment,
- Asepsis handpiece tubing,
- Master on/off switch, 1 doctor syringe, Wet/Dry foot control,
- Stainless steel tray with non-slip pad, City/bottled water system,
- 5 ft umbilical, Junction box with air/water filters, regulators, master shut-off valves,

- Chair mounted swing rear side box,
- Cuspidor and assistant vacuum package,
- Water outlet and air QD on assistant tray,
- Solids collector, 2 HVE, 1SE, 1 syringe
- Post mount LED light with sensor control, 3 level intensity adjustment



AJ15 Classic200

Part number: A9152002

Standard Features

- Swing Classic dentist's control head with 3 auto H.P. control,
- Individual water coolant controls,
- Master handpiece air coolant adjustment,
- Asepsis handpiece tubing,
- Master on/off switch, 1 doctor syringe,
- Wet/Dry foot control, Stainless steel tray with non-slip pad,
- City/bottled water system, 5 ft umbilical,
- Junction box with air/water filters, regulators, master shut-off valves,

- Chair mounted swing rear assistant vacuum package,
- Water outlet and air QD on assistant tray,
- Solids collector,
- 2 HVE, 1SE, 1 syringe
- Post mount LED light with sensor control, 3 level intensity adjustment



*Strong &
Simple*



AJ15 Classic 101

Part number: A9151012

Standard Features

- Classic dentist's control head with 3 auto H.P. control,
- Individual water coolant controls,
- Master handpiece air coolant adjustment,
- Asepsis handpiece tubing,
- Master on/off switch, 1 doctor syringe,
- Remote toggles for cup fill and bowl rinse, Wet/Dry foot control,
- Stainless steel tray with non-slip pad, Flex arm air brake switch,
- Porcelain cuspidor bowl with strainer, Cup fill & Bowl rinse toggles.
- Classic 100 Post mounted utility (PMU) with steel side box,
- City water/bottled system, Water outlet and air QD,
- Solids collector,
- 2 HVE, 1SE, 1 syringe on telescoping assistant's control,
- Junction box with air/water filters, regulators, master shut-off valves,
- 5 ft. umbilical
- Post mount LED light with sensor control, 3 level intensity adjustment



AJ15 Classic 100

Part number: A9151002

Standard Features

- Classic dentist's control head with 3 auto H.P. control,
- Individual water coolant controls,
- Master handpiece air coolant adjustment,
- Asepsis handpiece tubing,
- Master on/off switch, 1 doctor syringe, Wet/Dry foot control,
- Stainless steel tray with non-slip pad, Flex arm air brake switch
- Classic 100 Post mounted utility (PMU) with steel side box,
- City water/bottled system, Water outlet and air QD,
- Solids collector,
- 2 HVE, 1SE, 1 syringe on telescoping assistant's control,
- Junction box with air/water filters, regulators, master shut-off valves,
- 5 ft. umbilical
- Post mount LED light with sensor control, 3 level intensity adjustment



AJ12 Classic series

Compact & Simple



AJ12 Classic101

Part number: A9121011

Standard Features

- Classic dentist's control head with 3 auto H.P. control,
- Individual water coolant controls,
- Master handpiece air coolant adjustment,
- Asepsis handpiece tubing,
- Master on/off switch, 1 doctor syringe, Remote toggles for cup fill and bowl rinse, Wet/Dry foot control,
- Stainless steel tray with non-slip pad, Flex arm air brake switch,
- Porcelain cuspidor bowl with strainer, Cup fill & Bowl rinse toggles.
- Classic 100 Post mounted utility (PMU) with steel side box,
- City water/bottled system, Water outlet and air QD,
- Solids collector,
- 2 HVE, 1SE, 1 syringe on telescoping assistant's control,
- Junction box with air/water filters, regulators, master shut-off valves,
- 5 ft. umbilical
- Post mount LED light with sensor control, 3 level intensity adjustment



AJ12 Classic100

Part number: A9121001

Standard Features

- Classic dentist's control head with 3 auto H.P. control,
- Individual water coolant controls,
- Master handpiece air coolant adjustment,
- Asepsis handpiece tubing,
- Master on/off switch, 1 doctor syringe, Wet/Dry foot control,
- Stainless steel tray with non-slip pad, Flex arm air brake switch
- Classic 100 Post mounted utility (PMU) with steel side box,
- City water/bottled system, Water outlet and air QD,
- Solids collector,
- 2 HVE, 1SE, 1 syringe on telescoping assistant's control,
- Junction box with air/water filters, regulators, master shut-off valves,
- 5 ft. umbilical
- Post mount LED light with sensor control, 3 level intensity adjustment



Beyond Delivery System



Beyond assistant tray

With touchpad, Solids collector, 2 HVE, 1SE, 1 syringe



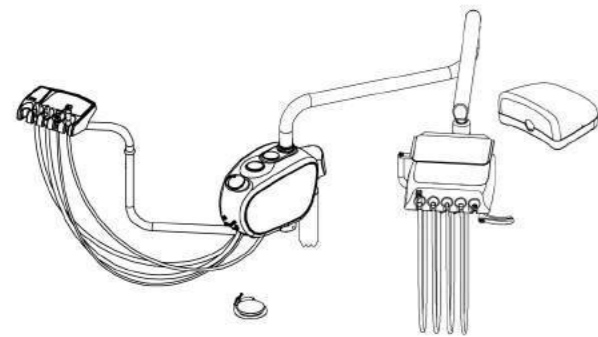
Beyond luxury dentist's control head

Cast aluminium delivery head base, double pivot delivery head, With 3 auto H.P. control, 1 doctor syringe, Individual water coolant controls



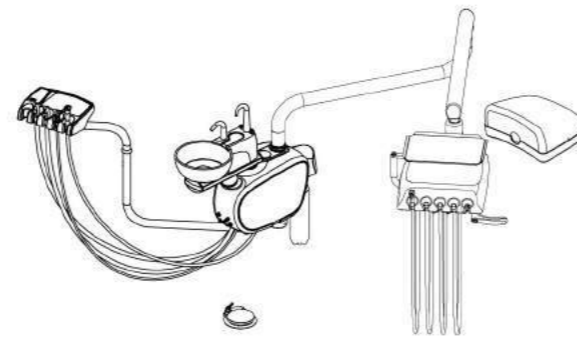
Beyond silver side box with cuspidor

City water/ bottled system, Water outlet and air QD Porcelain cuspidor bowl with strainer, Cup fill & Bowl rinse toggles.



Beyond300 delivery system

Part number: A0723002



Beyond301 delivery system

Part number: A0723012



Classic assistant arm

Telescoping assistant arm, Solids collector, 2 HVE, 1SE, 1 syringe



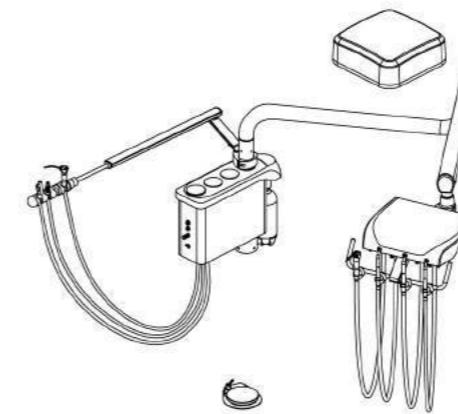
Classic dentist's control head

With 3 auto H.P. control, 1 doctor syringe, Individual water coolant controls



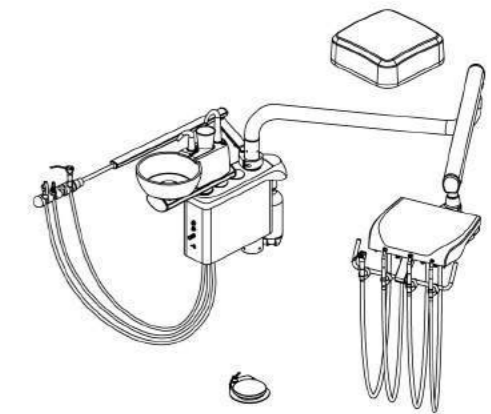
Classic steel side box with cuspidor

City water/ bottled system, Water outlet and air QD Porcelain cuspidor bowl with strainer, Cup fill & Bowl rinse toggles.



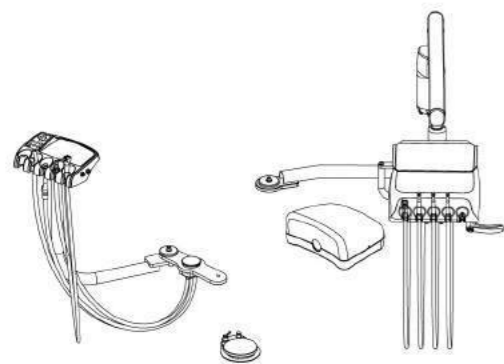
Classic 100 delivery system

Part number: A0711001



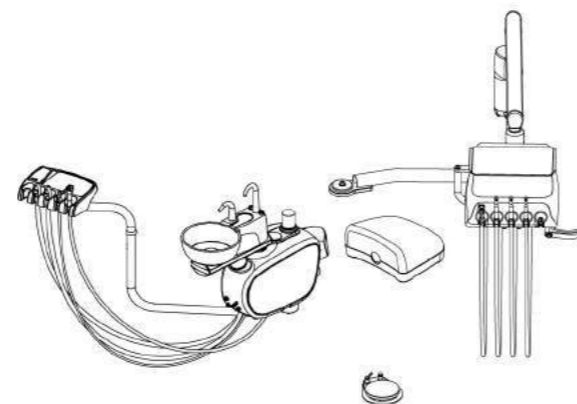
Classic 101 delivery system

Part number: A0711011



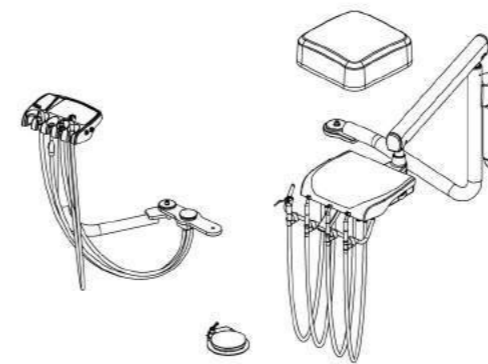
Beyond 400 Left/ Right swing delivery system

Part number: A0724003



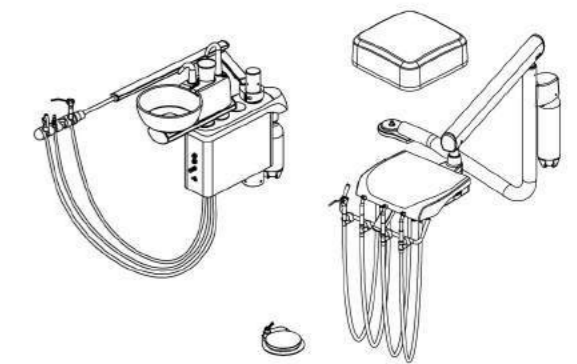
Beyond401 Left/ Right swing delivery system

Part number: A0724012



Classic 200 Left/ Right Swing Delivery System

Part number: A0712003



Classic 201 Left/ Right Swing Delivery System

Part number: A0712011

Upholstery Color

Ultra fiber leather



U1 Brown U2 Champagne U3 Blue U4 Green U5 Grey U6 Cobalt Blue

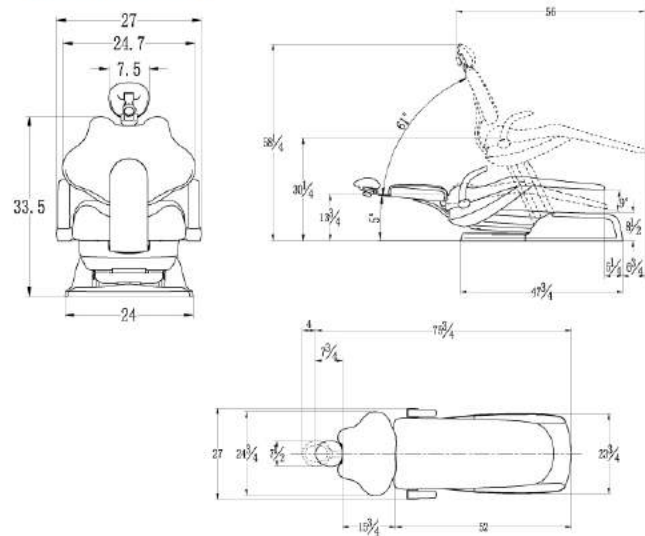


U7 Misty Grey U8 Orange U9 Red U10 Wine Red U11 Grass Green U12 Lemon Yellow U13 Pink U14 Black

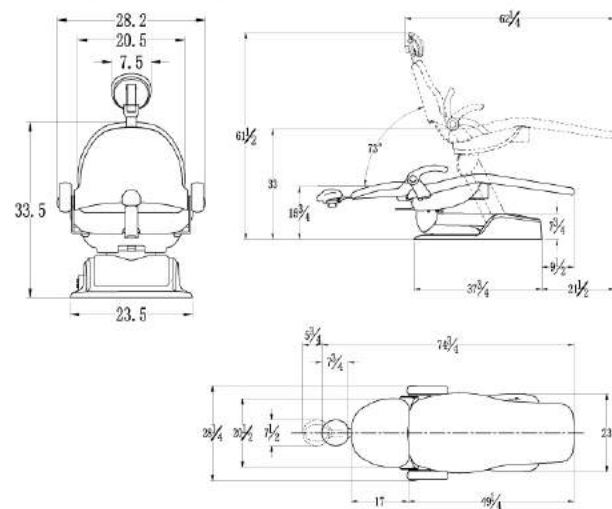
Chair Dimensions

Units:inch

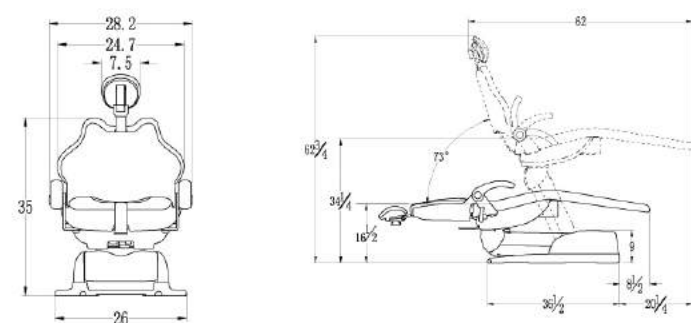
AJ12 Chair



AJ15 Chair



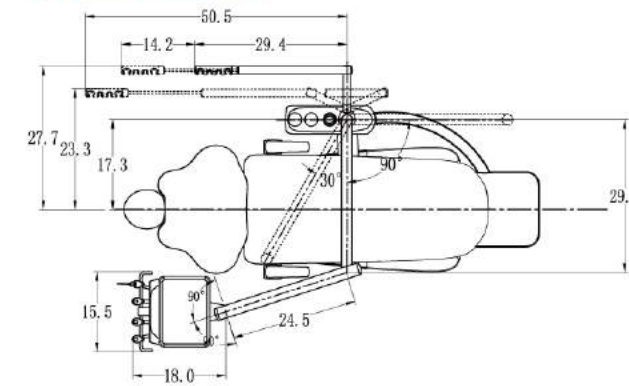
AJ16 Chair



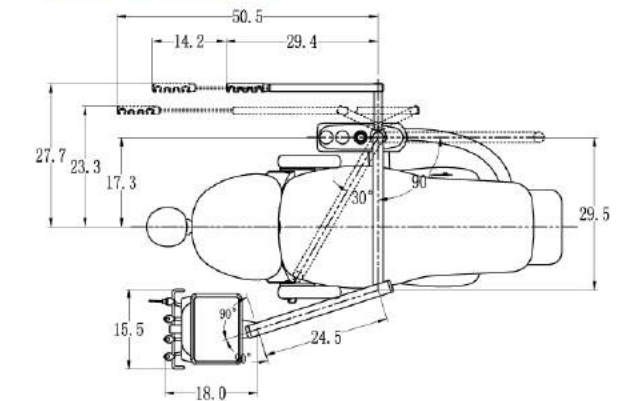
Package Dimensions

Units:inch

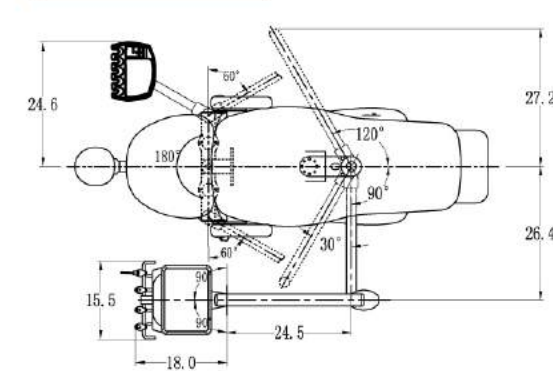
AJ12 Classic 100



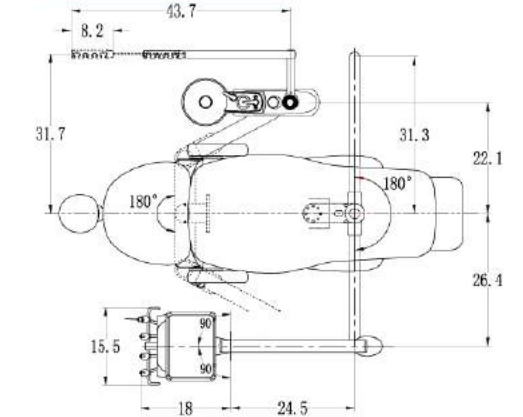
AJ15 Classic 100



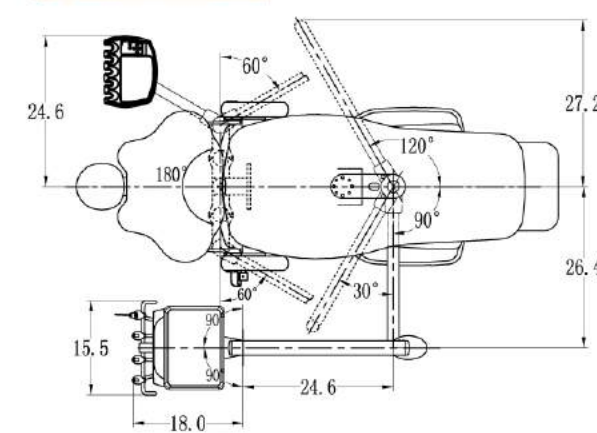
AJ15 Classic 200



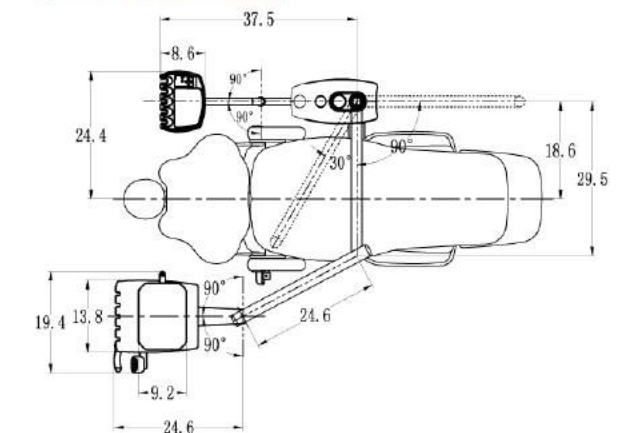
AJ15 Classic 201



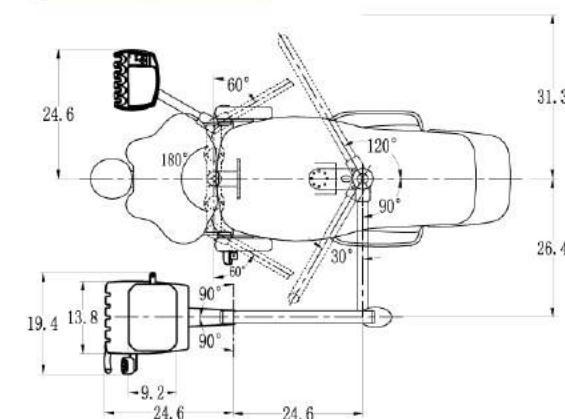
AJ16 Classic 200



AJ16 Beyond 300



AJ16 Beyond 400



AJ16 Beyond 401

