



R-4000 Reader
(Shown in a 2NEM Enclosure)

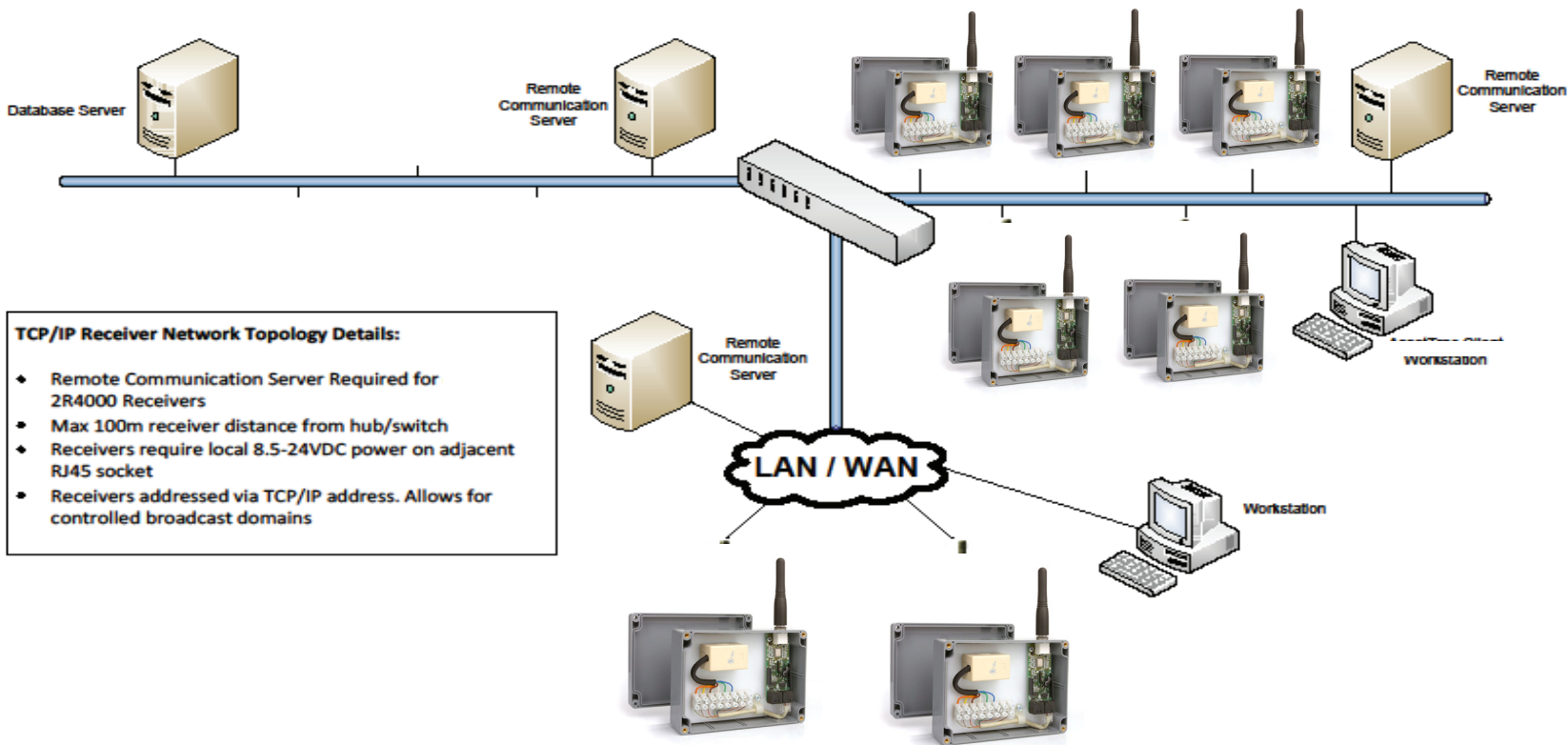
The R-4000 Reader, like all other 1st Choice Readers, detects and decodes RF transmitted signals from the 1st Choice Long Range RFID Tags. The R-4000 Reader alleviates the costs of installing new cable systems by using a building's existing CAT5 Ethernet cabling network and infrastructure.

In a multi-reader network, readers interconnect using a local or wide area network which allows ease of use and scalability from few readers to many readers residing on the network.

Features

- * Use of existing LAN/WAN infrastructure to position readers
- * Multi-reader network is scalable to suit application needs
- * Very low network bandwidth utilization
- * Readers are easily configured from any PC on the LAN/WAN running software
- * Powered via POE RJ-45 port
- * Reader status indication by LED's at RJ45 connectors.
- * Adjustable Read Range: 1'-400'- with standard Antennas
Longer range with special Antennas
- * Plug-in tool kit for field programming and adjustments
- * Both Omni-Directional and Directional Antennas are available
- * Wireless Mesh Available

R4000 TCP/IP Receiver Network Topology



TCP/IP Receiver Network Topology Details:

- Remote Communication Server Required for 2R4000 Receivers
- Max 100m receiver distance from hub/switch
- Receivers require local 8.5-24VDC power on adjacent RJ45 socket
- Receivers addressed via TCP/IP address. Allows for controlled broadcast domains

R-4000 Specifications

Frequency.....433.92 Mhz
 Antenna Input.....BNC Female
 Sensitivity.....-103 dBm
 Bandwidth.....700 kHz
 Operational Temperature.....-40° C to +70° C
 Size.....110 x63 x22 mm
 Weight.....35 grams
 Max Current.....60 mA
 Supply Voltage.....8.5-24 VDC
 Communications.....TCP / IP

For More Information Contact:



1st Choice Security Solutions, Inc.

1000 Cooper Circle
 Suite 210
 Peachtree City, GA 30269

Sales@1stChoiceSecuritySolutions.com
 www.1stChoiceSecuritySolutions.com
 P) 770-487-7727 F) 770-487-7765