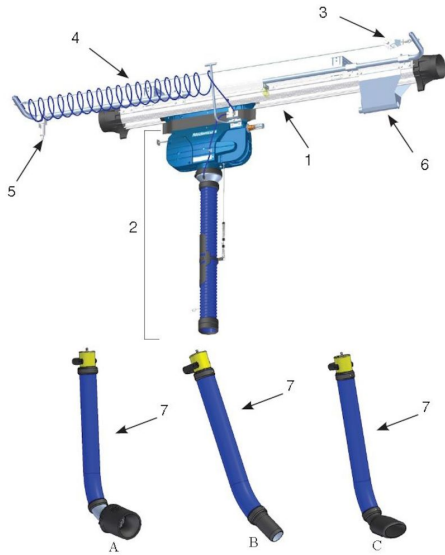


## Exhaust rail system 920, pneumatic system for vehicles in motion



1. Rail 920
2. Trolley and hose incl internal pneumatic hose and disconnection trigger
3. Wire kit
4. Pneumatic hose
5. Compressed Air filter
6. End Stop Complete
7. Nozzle kit

Pneumatic Rail System – PRS, is a fully automatic, exhaust extraction system for all types of vehicles. The system is based on a nozzle expanded by compressed air, fixing and sealing the nozzle tightly around the tail pipe.

PRS is supplied with a choice of different sized nozzles to fit the most common types of tail pipes. A quick coupler makes it easy to interchange the nozzle kits.

- **Automatic disconnection of nozzle and safety devices For drive-through vehicles**
- **Safety coupling in case of faulty operation**
- **Safety coupling in case of faulty operation**
- **Safety coupling in case of faulty operation**

<b>Product name</b>	Exhaust rail system 920, pneumatic system for vehicles in motion
<b>Installation</b>	Indoor



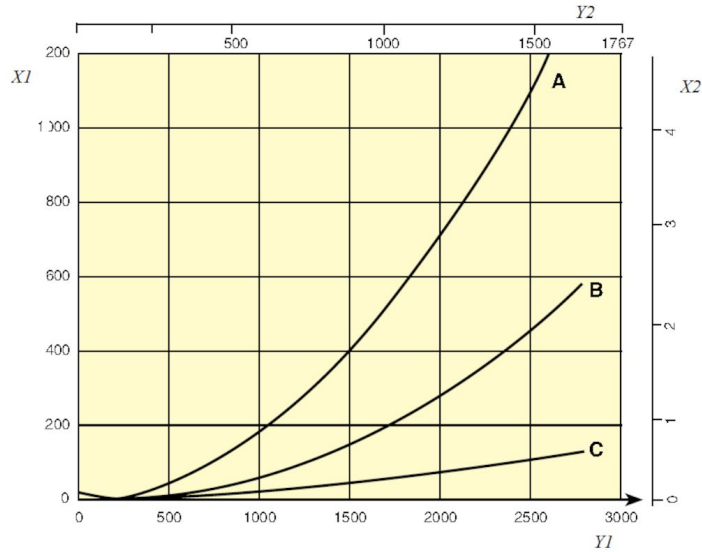
# Exhaust rail system 920, pneumatic system for vehicles in motion

## Exhaust rail system 920, pneumatic system for vehicles in motion

Accessory		Part No
	Exhaust rail 920 L= 5.0 m (17')	20916120*
	Exhaust rail 920 L= 7.5 m (25')	20916220*
	Exhaust rail 920 L= 10.0 m (33')	20916320*
	Exhaust rail 920 L= 12.5 m (41')	20916420*
	Exhaust rail 920 L= 15.0 m (50')	20916520*
	Exhaust rail 920 L= 32.5m (106')	20918220*
	Exhaust rail 920 L= 35.0 m (115')	20917220*
	Top outlet Ø200 (8 in) for 920	20374246
	Transmitter vehicle GHz	20376723
	Receiver GHz	20376724
	Handheld transmitter GHz	20376725

\*Complete with suspension parts, joint connectors, rubber seals, end covers and end stops.

## Exhaust rail system 920, pneumatic system for vehicles in motion



Pressure drop 920 Rail

X1= Pressure, Pa

Y1 = Air flow, m<sup>3</sup>/h

X2 = Pressure, in. w.g.

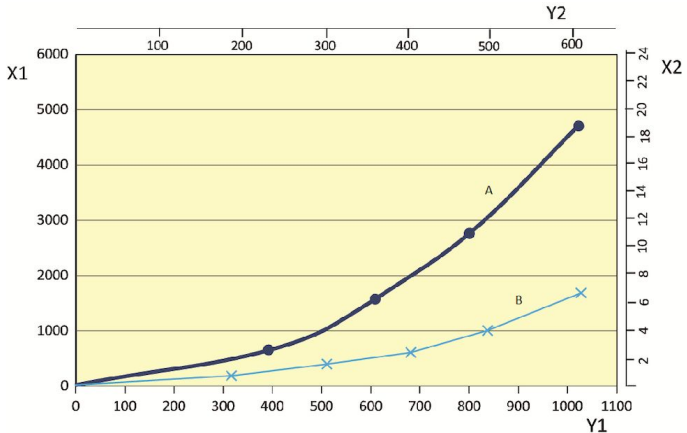
Y2 = Airflow, CFM

A= Top connection, Ø200 mm

B= Side connection, Ø160 mm

C= Rail 920, per metre (Pa/m)

# Exhaust rail system 920, pneumatic system for vehicles in motion



A = Hose Ø 4"  
 B = Hose Ø 6"

X1 = Pressure, Pa  
 Y1 = Pressure drop, m³/h  
 X2 = Pressure, in. w.c.  
 Y2 = Airflow, CFM