

FilterBox Wall

Automatically or manually cleaned for dust & fume applications.



FilterBox Wall can come with or without a fan attached. The models without a fan are suitable for installations with an external fan and fan contactor, and can be used with multiple FilterBox units. The unit is delivered with a wall bracket for easy installation. Depending on the model, the filter cartridge is either manually or automatically cleaned. For the manual model, there is an alarm indicating when the air flow is too low, and an operating hours meter. The model with automatic cleaning has an advanced filter control system that starts the cleaning process automatically when the air flow is too low. Additional protection from harmful particles given if a HEPA filter is installed.

For dust applications, the unit is cleaned mechanically. For welding fumes it uses a combination of mechanical and compressed air cleaning.

For welding applications, compressed air cleaning is required.

Note! FilterBox is not for use in environments where combustible dust or gases are present, and it is not for use in filtering combustible dust or gases.

- User friendly and superior filter cleaning, mechanical and/or with compressed air for long filter life
- Automatic damper preventing dust from leaking out while cleaning
- Dust free filter replacement and emptying of dust bin
- Third party approval for welding fumes category W3 according to EN 15012-1
- Third party approval for welding fumes category W3 according to EN 15012-1

Product name	FilterBox Wall
Noise level (dB(A))	60 (without fan) 66 (N24 fan) 74 (N27 fan)
Protection class	IP 54
Filter efficiency (%)	99
Compressed air requirement	DIN ISO 8573-1, class 5/5/4 (7 bar)
Installation	Indoor
Material	Casing in rotomoulded plastic
Dustbin volume (gal)	4
Extraction arm diameter (in)	6
Airflow (cfm)	765
Filter Area (ft²)	140
Frequency (Hz)	60
Arm length (ft)	Without
Filter type	Cartridge
Number of filter elements	1

FilterBox Wall

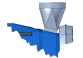






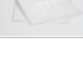
Filter material	Polyester PW13
Electric plug	Without
Weight (lbs)	198
Filter cleaning method	Mechanical, Compressed air



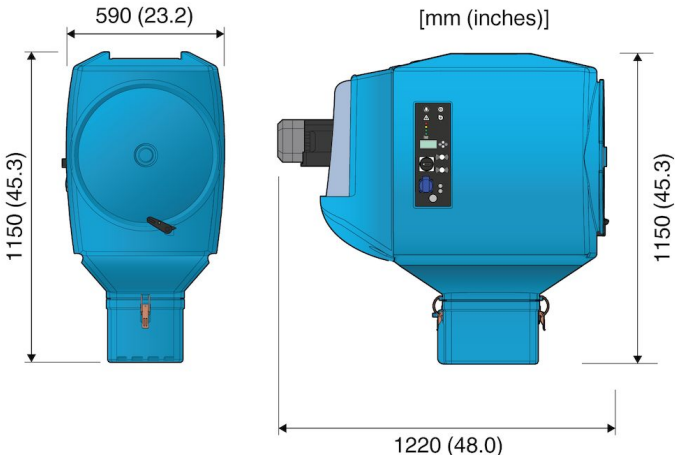
FilterBox Wall

Description	Power Voltage (V)	No of phases	Power (Hp)	Model
FilterBox Wall, automatic filter cleaning with N27 fan	115	1	2.0 (1.5 Kw)	12688463
FilterBox Wall, automatic filter cleaning with N27 fan	230	3	2.70 (2 Kw)	12688563
FilterBox Wall, automatic filter cleaning with N27 fan	460	3		12688663
FilterBox Wall, automatic filter cleaning with N29 fan	230	3	3	12688863
FilterBox Wall, automatic filter cleaning with N29 fan	460	3	3	12688963
FilterBox Wall, automatic filter cleaning with N29 fan	575	3	3	12689063

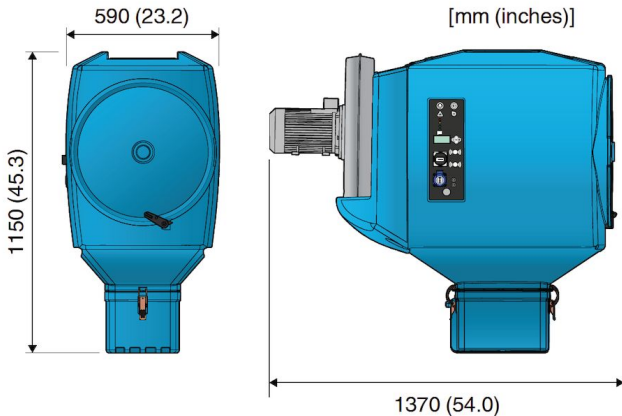
FilterBox Wall

	Accessory	Part No
	Outlet with duct connection D=200mm	12376749
	Sensor clamp to be attached to the earth cable of the welding power source.	14372199
	Standard main filter for FilterBox	12332672
	High efficiency main filter for FilterBox, HE15	12371106
	Anti-static high efficiency main filter for FilterBox, HE15	12371412
	Ultra high efficiency HEPA secondary filter for FilterBox, HE15	12376756
	High efficiency HEPA secondary filter for FilterBox, HE15	12376615
	Bags for Filterbox dust bin, 10pcs	12376618
	Twin Module blue	12376801

FilterBox Wall

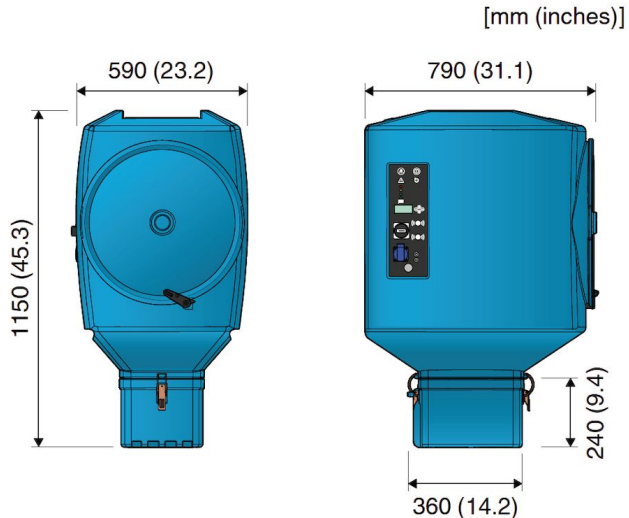


FilterBox Wall with N24 fan included



FilterBox Wall with N29 fan included

FilterBox Wall



FilterBox wall without fan