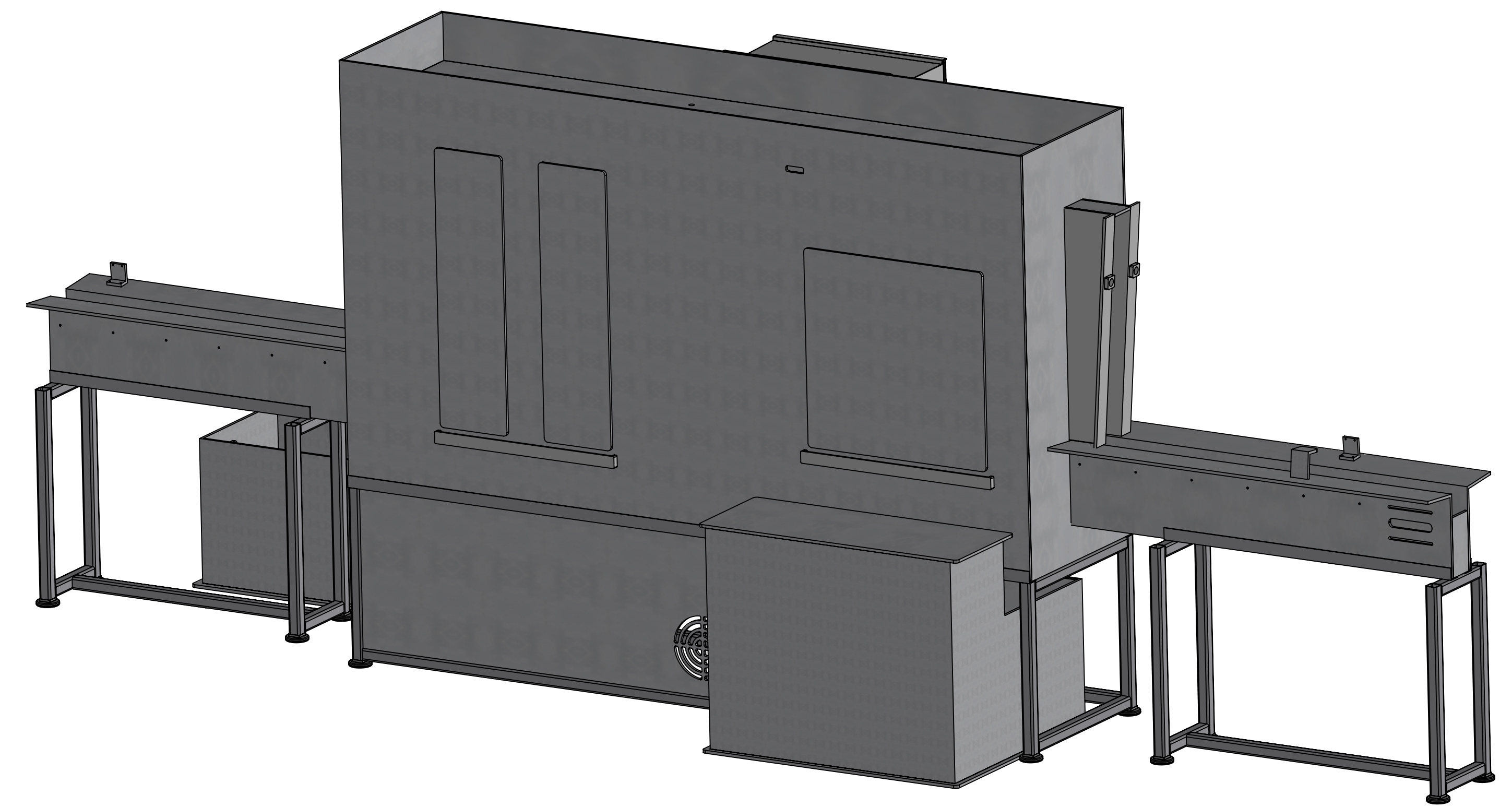
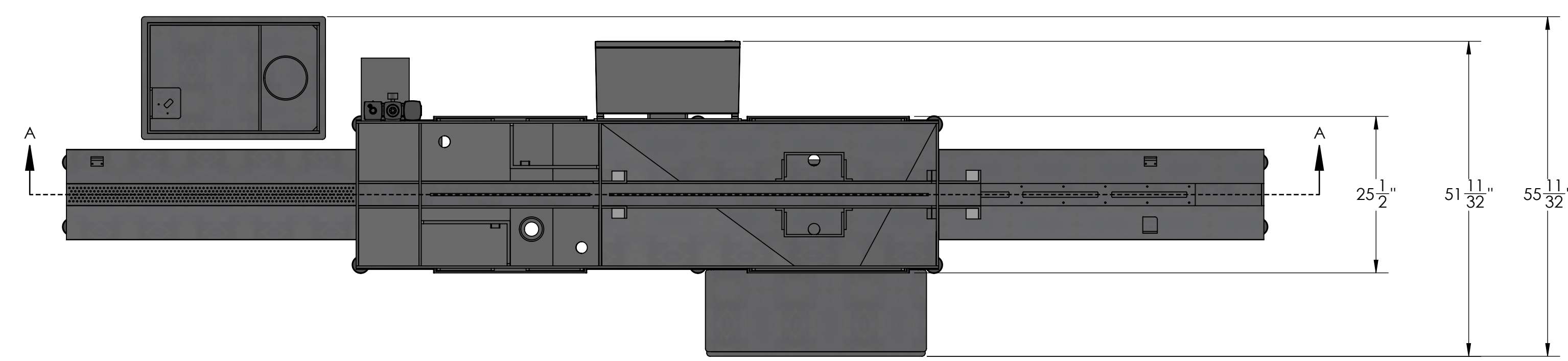


BACK



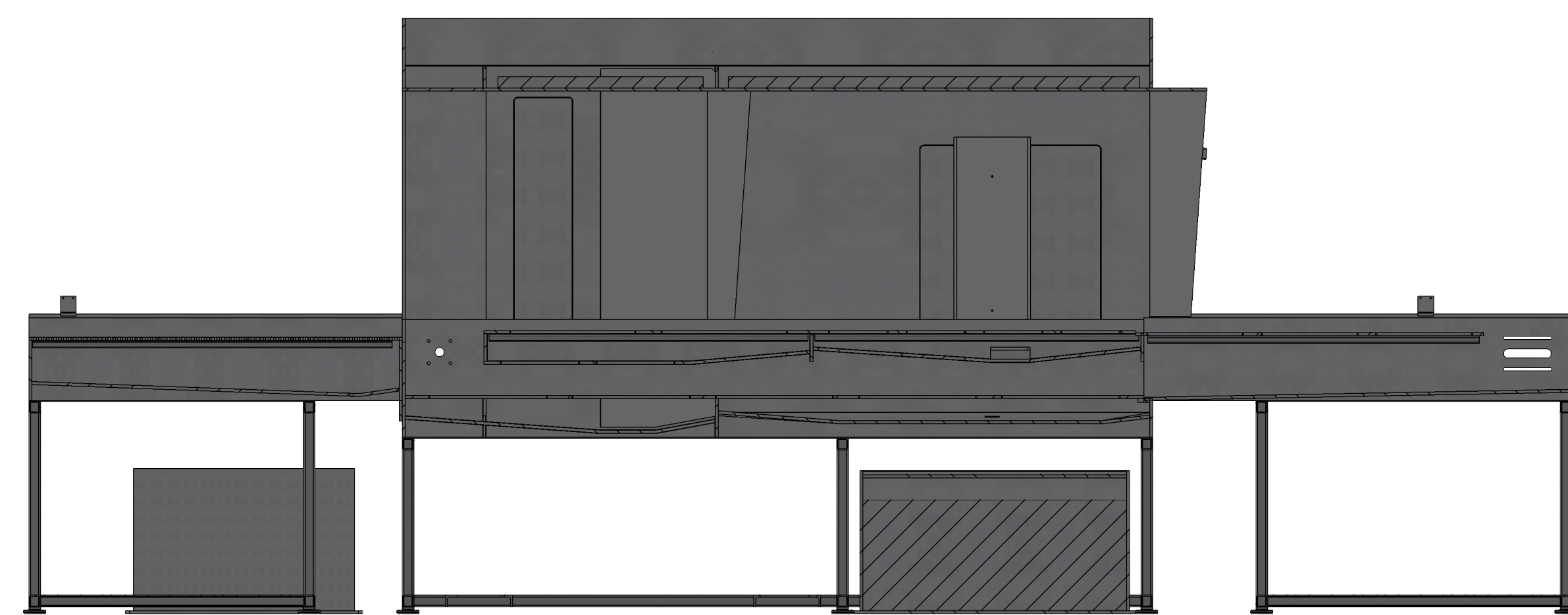
FRONT ISO



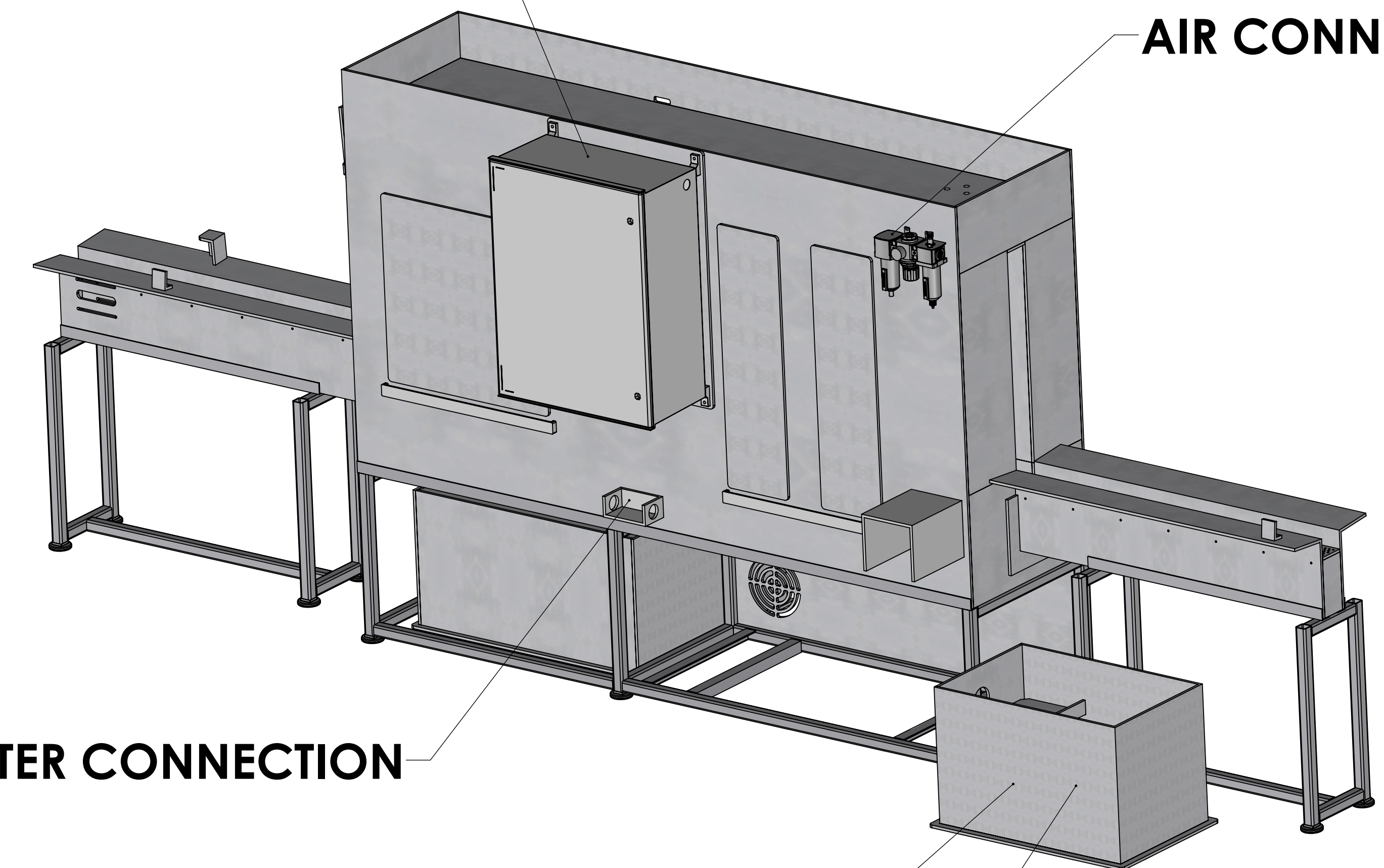
TOP(S) REMOVED FOR CLARITY

POWER CONNECTION

AIR CONNECTION



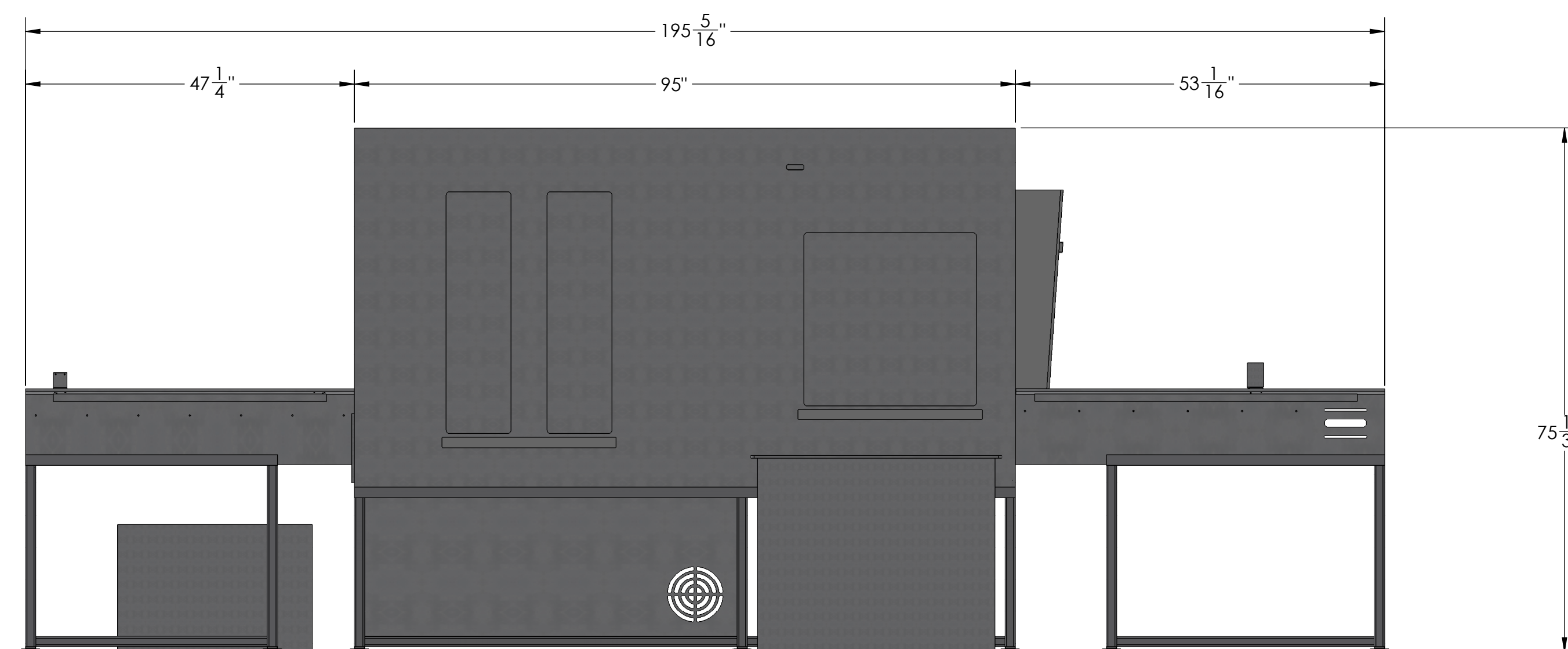
SECTION A-A



WATER CONNECTION

BACK ISO

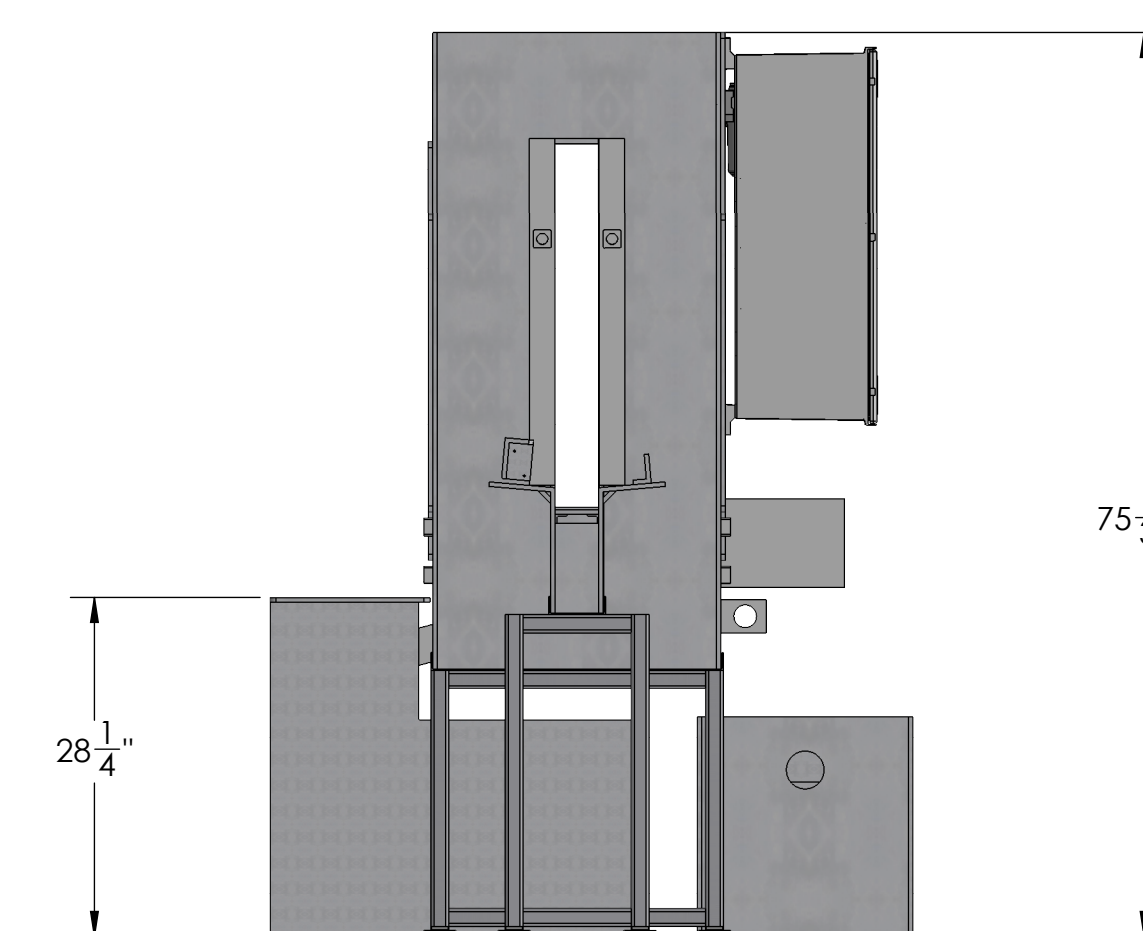
WASTE TANK



47" OUTFEED

54" INFEEED

FRONT



SIDE

3/4" OR 1 1/4" UTILITY PUMP FROM BOX OR 2" TO FLOOR DRAIN

	DRAWN: _____ CHECKED: _____ DATE: _____	MATERIAL: _____ TITLE: D-2536S-RL
	DO NOT SCALE DRAWING UNLESS OTHERWISE SPECIFIED: DIMENSIONS ARE IN INCHES DECIMALS 1/16 FRACTIONS 1/16 TWO PLACE DECIMAL .0002 THREE PLACE DECIMAL .0004	PROPERTY AND CONFIDENTIALITY NOTICE: THE INFORMATION CONTAINED IN THIS DRAWING IS THE SOLE PROPERTY OF BLUEWATER LABS. ANY REPRODUCTION OR PARTIAL REPRODUCTION OF THIS DRAWING WITHOUT THE WRITTEN PERMISSION OF BLUEWATER LABS IS PROHIBITED.