

Nominal Voltage \_\_\_\_\_ 12 volts

Amp hour capacity at 20 hour rate \_\_\_\_\_ 80 amp hour

Reserve Capacity at 25 amp discharge rate \_\_\_\_\_ 149 minutes

Reserve Capacity at 15 amp discharge rate \_\_\_\_\_ 259 minutes

Reserve Capacity at 8 amp discharge rate \_\_\_\_\_ 524 minutes

Dimensions (inches) \_\_\_\_\_ Length=11.13, \*, Width= 6.60, Height= 9.25\*

Dimensions (mm) \_\_\_\_\_ Length=282, Width=167, Height=235

Weight \_\_\_\_\_ 56 pounds / 25.5 kilograms

Recommended charge voltage \_\_\_\_\_ Bulk Charge 14.2 – 14.6 volts  
 \_\_\_\_\_ Absorption/Acceptance Charge 14.2 - 14.6 volts  
 \_\_\_\_\_ Float Charge 13.1 to 13.4 volts

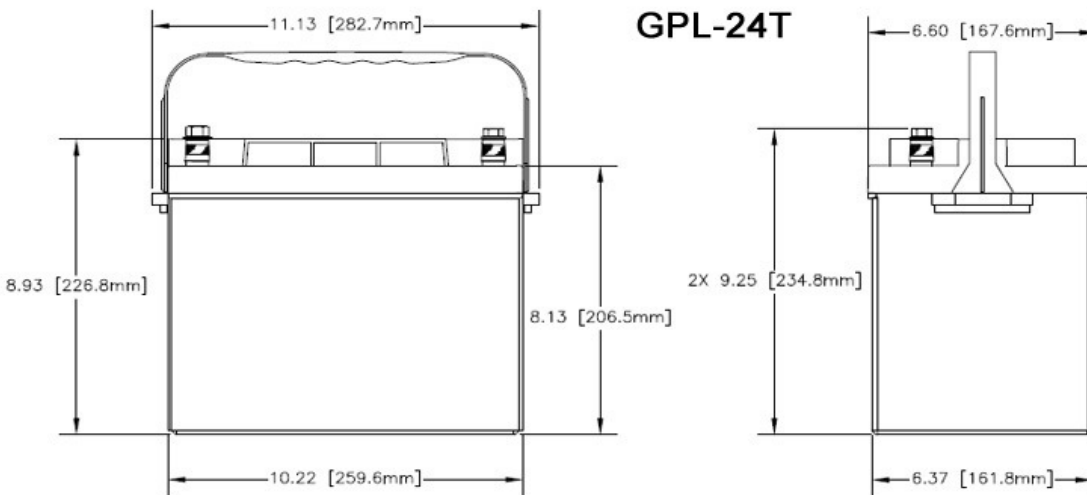
Recommended Charge Amperage \_\_\_\_\_ Up to 100% of the rated amp hour capacity

Self Discharge Rate \_\_\_\_\_ 2% per month at 77°F (25°C)

Operating Temperature \_\_\_\_\_ -50° to 150° F (-45 to 65.5 C)

Cycle life \_\_\_\_\_ 1,100 cycles to 50% DOD, 500 cycles to 100% DOD

Warranty \_\_\_\_\_ Refer to manual for warranty information by application



\* All dimensions are overall. This will include handles and terminals. Actual case size may be smaller than published.