

Nominal Voltage _____ 6 volts

Amp hour capacity at 20 hour rate _____ 400 amp hour

Reserve Capacity at 25 amp discharge rate _____ 950 minutes

Reserve Capacity at 15 amp discharge rate _____ 1625 minutes

Reserve Capacity at 8 amp discharge rate _____ 3195 minutes

Dimensions (inches) _____ Length=11.64*, Width= 6.95, Height= 15.73*

Dimensions (mm) _____ Length=296, Width=177, Height=399

Weight _____ 119 pounds / 54 kilograms

Recommended charge voltage _____ Bulk Charge 7.10 – 7.30 volts
 _____ Absorption/Acceptance Charge 7.10 – 7.30 volts
 _____ Float Charge 6.55 to 6.70 volts

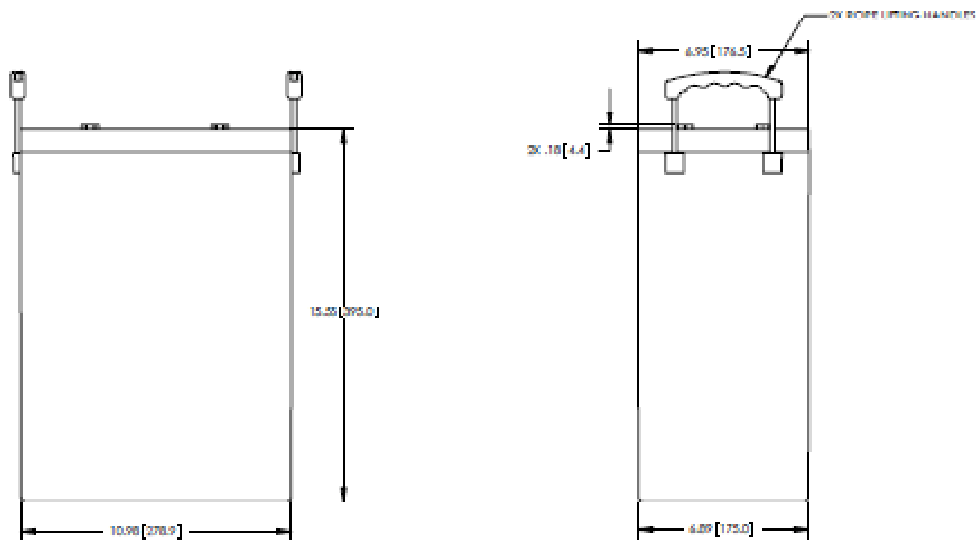
Recommended Charge Amperage _____ Up to 100% of the rated amp hour capacity

Self Discharge Rate _____ 2% per month at 77°F (25°C)

Operating Temperature _____ -50° to 150° F (-45 to 65.5 C)

Cycle life _____ 1,100 cycles to 50% DOD, 500 cycles to 100% DOD

Warranty _____ Refer to manual for warranty information by application



* All dimensions are overall. This will include handles and terminals. Actual case size may be smaller than published.