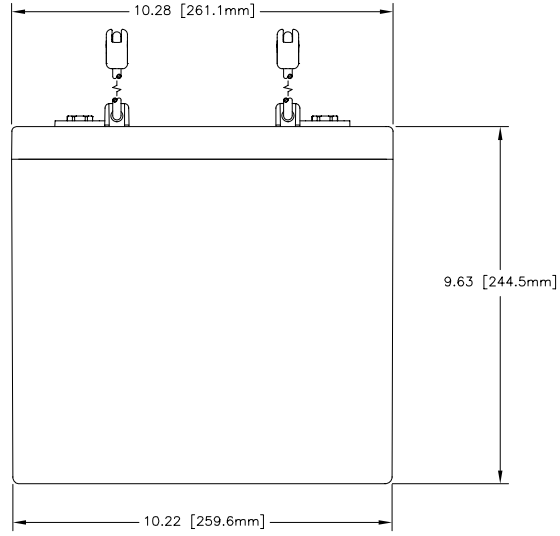
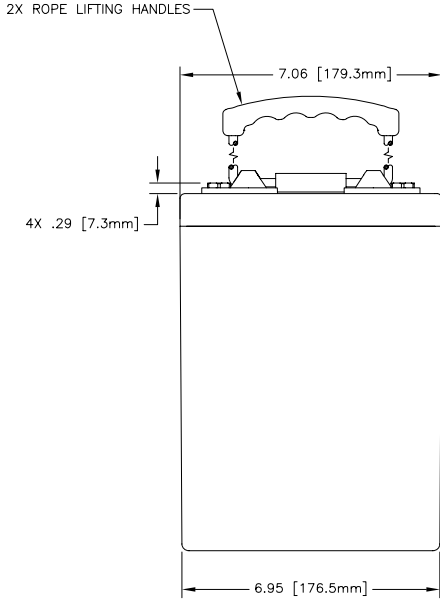
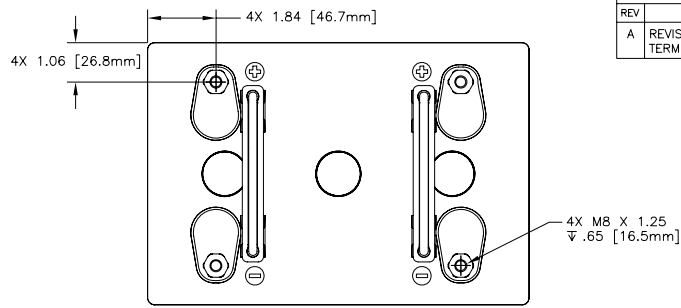


NOTES: UNLESS OTHERWISE SPECIFIED

1. SEE DRAWING NO. CB-00281 AND PROCEDURE P-1000 FOR ASSEMBLY AND TEST INSTRUCTION. PROCEDURES AND ASSEMBLY DRAWING ARE FOR INTERNAL USE ONLY.
2. ALL TESTING IS PERFORMED IAW BATTERY COUNCIL INTERNATIONAL STANDARDS.
3. ALL DIMENSIONS ARE IN INCHES [MM]
4. TERMINAL HARDWARE KIT PROVIDED, PART NUMBER 6923

REVISIONS			
REV	DESCRIPTION	DATE	APPROVED
A	REVISED TERMINAL DAMS, TERMINAL HEIGHT & HANDELS	9/16/09	JBT



CAPACITY RATINGS	
PART NUMBER	GPL-4CT-2V
NOMINAL WEIGHT	69 LBS [31.3 KG]
AMPERE HOUR CAPACITY @ 20 HOUR 1.75 VOLTS/CELL @ 77°F (25° C)	660 AH
MINUTES OF DISCHARGE @ 25 AMPS 1.75 VOLTS/CELL @ 77°F (25° C)	1476 MIN

ENVELOPE DRAWING

QTY	REQD	CAGE CODE	PART OR IDENTIFYING NO.	NOMENCLATURE OR DESCRIPTION	MATERIAL SPECIFICATION	ITEM NO.
UNLESS OTHERWISE SPECIFIED DIMENSIONS ARE IN INCHES TOLERANCES ARE:						
FRACTIONS		DECIMALS		ANGLES		
± 1/32		.XX		± .12		
		.XXX		± .060		
CONTRACT NO.				CONCORDE BATTERY CORPORATION 2009 SAN BERNARDINO RD, W. COVINA, CA 91790		
APPROVALS				DATE		
DRAWN D. AYALA				1/25/08		
CHECKED AMIII				1/25/08		
APPROVED JBT				1/25/08		
FINISH NONE				TREATMENT NONE		
SIMILAR TO N/A				ACT WT N/A, CAL WT N/A		
ISSUED JJ				9/18/09		
SCALE				1/2		
SIZE				C 63017		
DWG NO				GPL-4CT-2V		
REV				A		
SHEET				1 OF 1		

The data/information contained herein has been reviewed and approved for general release on the basis that this document contains no export-controlled information.