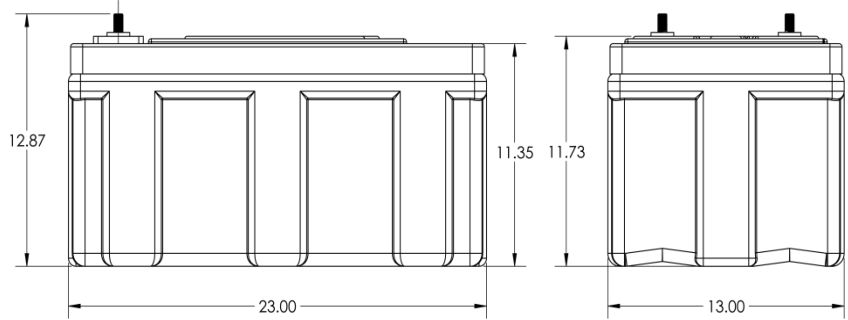


48V STANDARD SERIES

PART NUMBER: 48V110A-8D-CTRL400



48V110A-8D-CTRL200 Deep Cycle+Engine Start Lithium Battery
Battery Specification

| Attribute | Value | |
|---|-----------------------|-----------------|
| Nominal True Capacity | 110 | Amp Hours |
| Charging Voltage | 56.0 to 56.8 | Volts |
| Nominal Voltage | 51.2 | Volts |
| Cut-off Discharge Voltage | 47.2 | Volts |
| Reserve Capacity | 264 | Minutes |
| Max Discharge Current (Continuous) | 100 | Amps |
| Max Discharge Current (1sec pulse) | 1000 | Amps |
| Max Continuous Charge Current | 50 | Amps |
| Internal Impedance | < 8 | Milliohms |
| Cycle Life @ 80% Depth of Discharge | 2000-3000 | |
| Dimensions (L x W x H) | 23.0 x 13.0 x 11.3 | Inches |
| Weight | 144 | Pounds |
| Safety Leader U.N. International Approved | U.N. D.O.T. 38.3 | Lithium |
| Charge Temperature | 32 to 113 | Fahrenheit |
| Discharge Temperature | -4 to 140 | Fahrenheit |
| Storage Period (1 month) | -4 to 113 | Fahrenheit |
| Storage Period (6 month) | -4 to 77 | Fahrenheit |
| Battery Terminals (Max Torque 100in-lbs) | 3/8" (Optional: 1/2") | Large Feed Thru |
| Lithionics NeverDie Feature | YES | |
| Active Shunt Cell Balancing | YES | |
| Wireless NeverDie Remote | YES* | Optional |

WATTS OF ENERGY

5632 WATT-HOURS

144 LBS

65.3 KG

*Battery must be charged with Lithionics Battery approved charger once a month.

NOTE: Contact Lithionics Battery for a user installation Guide. Follow the guide to ensure fitness of use and warranty.

Warning:

- Lithium batteries are not designed for under-hood installations. Lithium batteries are not designed for use in sub-freezing temperatures. See USER GUIDE for acceptable temperature ranges.
- Industry standards have not been developed for ratings such as lithium cranking amperage equivalents to lead-acid cranking amperage ratings. It is the responsibility of the end-user to select the correct sized battery for his/her application. Lithionics Battery offers a wide range of lithium cells to assist in the customer's selection of the battery size.
- Installation: It is recommended that batteries be installed terminals facing up. Terminal must never face down (upside-down installation). Contact Lithionics Battery for approval of alternative installation orientations that maybe possible in your application.

NeverDie Features

- Reserve Capacity (Low Voltage Cutoff @ 47.2V)
- Pushbutton Storage Option
- Active Shunt Cell Balancing
- Individual Cell Monitoring (Temp & Voltage)
- Charge Enable (50.0V)
- Overtemp Protection (Enabled @ 140F/60C)
- Over-Discharge Protection (Dead Voltage Lockout @ 40V)
- Over-Charge Protection (High Voltage Cutoff @ 62.4V)
- Short Circuit Protection