

SMS AGM 220 Battery

Ultra High Performance AGM



NorthStar Engine Start Batteries deliver **superior cranking, unrivaled cycling, faster recharge and minimal maintenance.**

- Pure Lead AGM Technology delivers exceptional CCA ratings and reserve capacity cycling ability
- Quick starting every time
- Cycles over 400 times to 80% depth of discharge
- Faster recharge than conventional batteries
- Proudly made in the USA at our state-of-the-art battery plant
- OEM fit is ensured - built to exact BCI standards
- Housed in advanced plastics for durability, performance and heat resistance
- Advanced AGM construction means no water levels to check or terminals to clean
- Approved as non-hazardous cargo for ground, sea, and air transport
 - DOT 49CFR173.159(d), (i) and (ii)

Visit our website to find out more www.northstarbattery.com

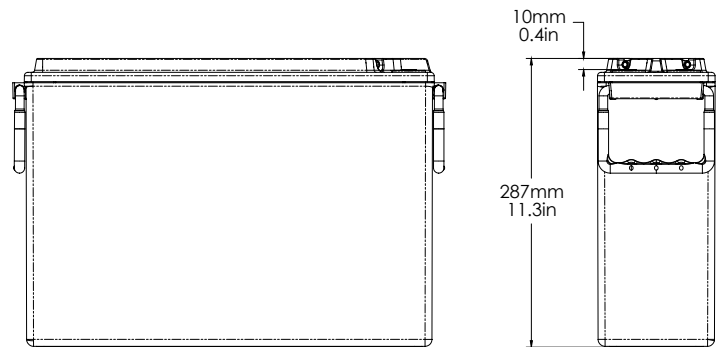
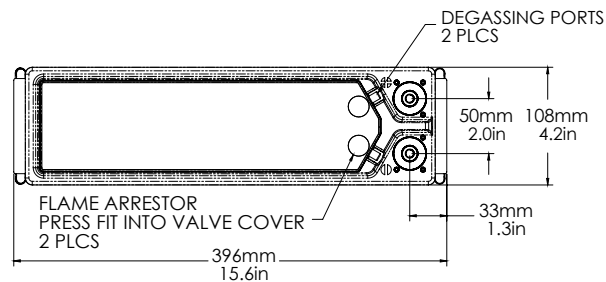


SMS AGM 220 Battery

Nominal Technical Specifications



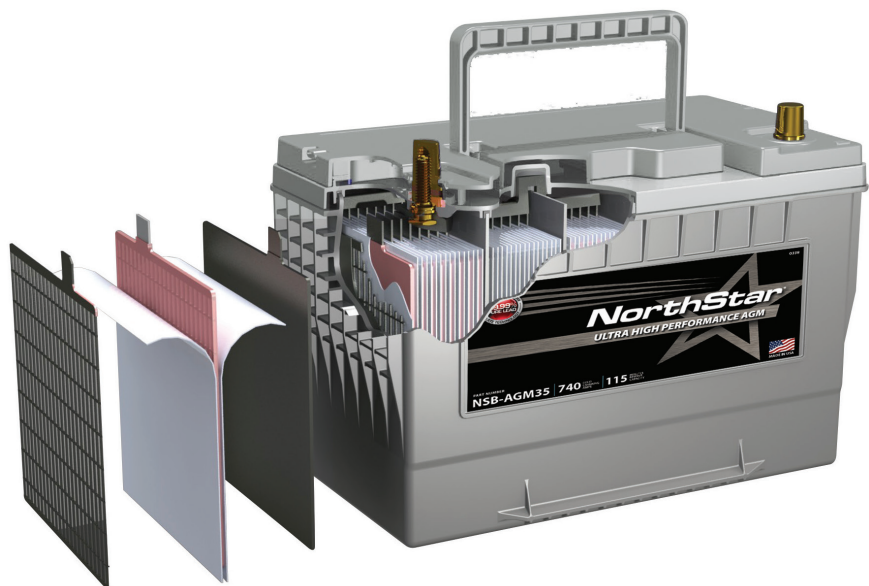
BCI Group Number	Specialty
Height with Terminal	11.3 in
Width	4.24 in
Length with Rib	15.59 in
Weight	78.5 lbs
Terminal Configuration	Bolt in
Pulse Cranking Amps	1,750 A
CA/MCA Rating at 32°F	1,260 A
Cold Cranking Amps at 0°F	950 A
Cold Cranking Amps at -20°F	673 A
Reserve Capacity	220 min
Capacity - 20 Hour Rate	107.5 Ah
Capacity - 10 Hour Rate	103.0 Ah
Internal Resistance	2.6 mΩ
Short Circuit Current	3,500 A
Warranty	2 years full



All NorthStar Batteries are proudly made in the USA using advanced manufacturing processes.



NorthStar batteries use pure lead AGM thin plate technology to deliver exceptional performance and longer lifetime.



NorthStar Americas
 NorthStar Battery Company LLC
 4000 Continental Way
 Springfield, MD, 65803,
 United States of America
 info@northstarbattery.com
 Tel: +1 417 575 8200
 Fax: +1 417 575 8250

NorthStar Europe
 SiteTel Sweden AB
 Staffans Väg 6-8
 SE-192 07 Sollentuna,
 Stockholm, Sweden
 europe@northstarbattery.com
 Tel: +46 8 410 102 00
 Fax: +46 8 638 06 00

NorthStar Middle East, Africa
 SiteTel Sweden AB JTL Branch
 Office 702, Saba 1 Tower
 Jumeirah Lake Towers, Dubai
 United Arab Emirates
 mea@northstarbattery.com
 Tel: +971 4 423 8060
 Fax: +971 4 423 8061

NorthStar Asia-Pacific
 NS Asia Pacific Sdn. Bhd.
 Lvl 20, Menara Standard Chartered,
 30 Jalan Sultan Ismail, 50250
 Kuala Lumpur, Malaysia
 asia@northstarsitetel.com
 Tel: +60 3 2117 5354

www.northstarbattery.com

