



QuietTorque™ 60.0LC

Clean, Green, and Quiet!

*Electric propulsion systems engineered
and built by sailors for sailors since 2007!*

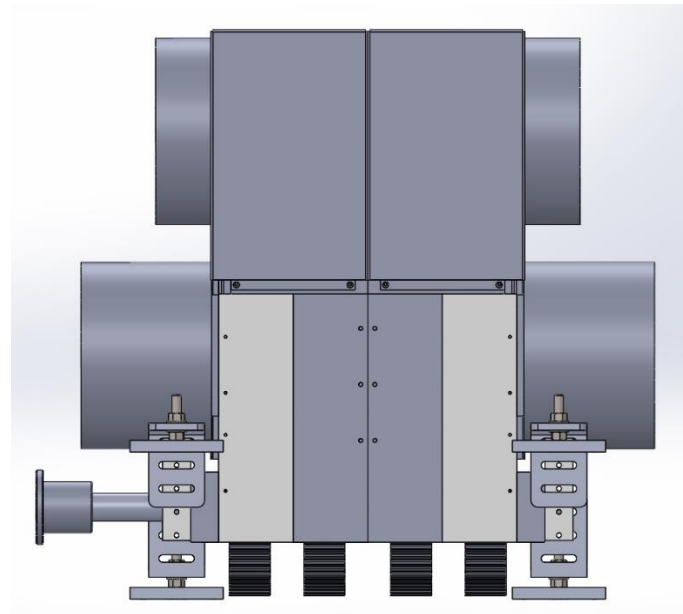
The **QuietTorque™ 60.0LC** is recommended for boats up to 55' (LOA) and 45,000lbs displacement. Typically replacing diesel engines up to 80 hp. Typical battery size is 1,200Ah.

Specifications

Motor type	4 x PMAC Brushless
Voltage	48Vdc
Max Input Power	60kW
Cont. Input Power	56kW
Frame	Anodized Aluminum
Shaft	Stainless Steel

Standard Features

Motor Mounts:	Adjustable Mounts to current engine stringers
Throttle:	Anodized Al waterproof throttle with key & neutral lock
System Monitor:	Programmable digital display <ul style="list-style-type: none">• State of Charge (SOC)• Voltage, Current, Power and RPM• Time to Discharge (TTD)• Programmable regeneration and max power• Programmable RH or LH propeller rotation• Programmable for flooded, AGM and LiFePO4 battery type and size
Shaft coupler:	4" flange (Hurth/Borg Warner)
Power Switch:	Two position switches
Relay:	500A TE Connectivity vacuum relays
Fuse:	Class-T fuses & holders



The **QuietTorque™ 60.0LC** is complete and includes everything you will need except batteries, battery cables and charger. Contact us directly or through one of our dealers and we will help you design a complete system to meet your particular needs.

Why Electric Yacht

- UNPARALLED CUSTOMER SERVICE AND ENGINEERING
- Computer generated performance projections
- Three year warranty
- Designed for customer installation

Application Guide:

Where is the QT 60.0LC most appropriate?

- Monohull sailboats up to 45000 lbs replacing diesel engines up to 80hp
- Multihull sailboats replacing gas/diesel engines up to 80hp
- Launches and other displacement mode power boats up to 35000 lbs
- Installations with or without a diesel generator used to extend range
- Sailboats mostly used for weekend sailing and coastal and offshore cruising

Ordering Options:



Standard throttle and monitor control (+\$0 USD) is appropriate in most cases. The exposed metal parts are made of Stainless steel and Al for long life in a marine environment. The unit incorporates a neutral lock to prevent accidental operation. Designed to provide many years of dependable operation.



The optional larger monitor (+\$250) is an easy to read programable monitor screen that is twice the size as the standard monitor. It has an expanded second screen with motor data presented in a clear and easy to read format.



The optional Binnacle Mount (+\$295 USD) is appropriate for boats with wheel steering. It is designed to attach to the 1" grab rail that surrounds most binnacles. It can also attach directly to a binnacle post if no rail is present. It is supplied with longer 20' cables and is ready to install on your binnacle.

The optional Current Sensor (+\$195 USD) is recommended when a generator and/or solar is used to extend range. The current sensor measures charging current and will give correct State of Charge (SOC) and Time To Discharge (TTD) readings by capturing the power being generated. It is installed between the output of the generator (or generator powered battery charger) and the battery. While not necessary for occasional usage, it is recommended for use with portable generators.



QT60.0LC Dimension Data

