

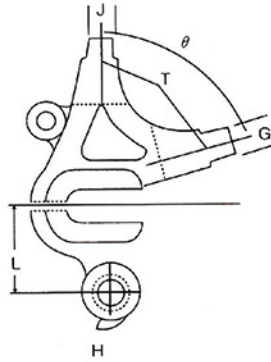


九川實業股份有限公司
 台中市大雅區神林路一段193-1號
 TEL:886-4-25676851 FAX:886-4-25682995
 E-mail: aforge@aforge.com.tw aforge@ms29.hinet.net

A-FORGE ENTERPRISE CO., LTD
 NO. 193-1, SECTION 1, SHENLIN ROAD,
 DAYA DISTRICT TAICHUNG CITY, 428

天成車料(深圳)有限公司
 九川金屬製品(深圳)有限公司
 深圳市觀瀾街道獅徑社區洗屋村工業一路6號
 TEL:86-755-28012794/6 FAX:86-755-28012795
 E-mail: aforge@vip.163.com

TIANCHEN BICYCLE-PARTS(SHENZHEN) CO., LTD
A-FORMING METAL PRODUCTS(SHEN ZHEN) CO., LTD
 NO.6 OF 1ST INDUSTRY RD, XIANWU GROUP SHIJING VILLAGE,
 GUANLAN TOWN, BAO AN COUNTRY, SHENZHEN, CHINA



Model A-F3306

	θ	T	L	H	G	J
A	49°	7.0			19	19



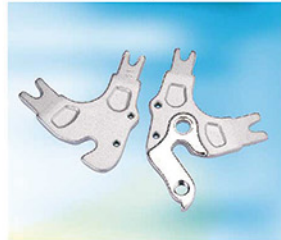
Model A-F3306-A

	θ	T	L	H	G	J
A	49°	7.0			19	19



Model A-F3306-B

	θ	T	L	H	G	J
A	49°	7.0	28	30°	19	19



Model A-F3513

	θ	T	L	H	G	J
A	45°	8.0	29	28°	22	19
B	54°	8.0	29	28°	22	19
C	61°	8.0	29	28°	22	19
D	68°	8.0	29	28°	22	19



Model A-F3513-DB

	θ	T	L	H	G	J
A	45°	8.0	29	28°	24.2	21
B	54°	8.0	29	28°	24.2	21
C	61°	8.0	29	28°	24.2	21
D	68°	8.0	29	28°	24.2	21



Model A-F3518

	θ	T	L	H	G	J
A		8.0	29	28°	15	



Model A-F3523

	θ	T	L	H	G	J
A	53°	8.0	26	30°	14.5	10.5
B	61°	8.0	26	30°	14.5	10.5
C	64°	8.0	26	30°	14.5	10.5
D	67°	8.0	26	30°	14.5	10.5
E	69°	8.0	26	30°	14.5	10.5
F	72°	8.0	26	30°	14.5	10.5



Model A-F3523-B

	θ	T	L	H	G	J
A	53°	8.0	26	30°	14.0	10.0
B	61°	8.0	26	30°	14.0	10.0
C	64°	8.0	26	30°	14.0	10.0
D	67°	8.0	26	30°	14.0	10.0
E	69°	8.0	26	30°	14.0	10.0



Model A-F3526

	θ	T	L	H	G	J
A		8.0	28	30°	19	13



Model A-F3526-C



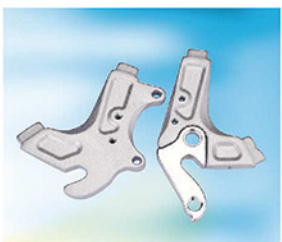
Model A-F3527

	θ	T	L	H	G	J
A		8.0	29	28°		



Model A-F3527-A

	θ	T	L	H	G	J
A		8.0	29	28°		



Model A-F3528

	θ	T	L	H	G	J
A	45°	8.0	28	40°	20	15.4
B	51°	8.0	28	40°	20	15.4
C	57°	8.0	28	40°	20	15.4
D	61°	8.0	28	40°	20	15.4
E	65°	8.0	28	40°	20	15.4



Model A-F3559

	θ	T	L	H	G	J
A	52°	8.0	30	36°	18	19



Model A-F3559-B



Model A-F3570

	θ	T	L	H	G	J
A		8.0	29	28°		



Model A-F3572

	θ	T	L	H	G	J
A		8.0	30	30°		



Model A-F3572-A

	θ	T	L	H	G	J
A	52°	8.0	30	36°	18	19



Model A-F3600



Model A-F3600-C



Model A-F3602



Model A-F3603



Model A-F3605
For Disc brake 140mm



Model A-F3605-B
For Disc brake 160mm



Model A-F3606



Model A-F3615



Model A-F3619



Model A-F3620



Model A-F3620-C
Flat Mount for road racing bike



Model A-F3620-BH
Add speed sensor that fits Bosch/ Shimano



Model A-F3621



Model A-F3623
Flat Mount for road racing bike



Model A-F3623-A



Model A-F3624
Flat Mount for road racing bike



E-thru A-F3625



Model A-F3626



Model A-F3630



Model A-F3631
Flat Mount for road racing bike



Model A-F3631-A
Flat Mount



Model A-F3642



Model A-F3643
E-THRU



Model AF3643-E
L side with disc brake 160 mm & BOSCH speed sensor
R side with SRAM UDH hanger



A-HG001



A-HG002



A-HG003



A-HG005



A-HG006



A-HG009



A-HG010



A-HG011



A-HG012



A-HG013



A-HG013-4



A-HG014



A-HG015



A-HG017



A-HG018



A-HG020



A-HG022



A-HG023



A-HG026



A-HG027



A-HG029



A-HG033



A-HG036



A-HG038



A-HG039



A-HG039-1



A-HG041



A-HG043



A-HG045



A-HG049



A-HG051



A-HG056



A-HG057



A-HG058



A-HG059



A-HG060



A-HG061



A-HG062



A-HG063



A-HG068



A-HG069



A-HG072



A-HG075



A-HG078



Ø12X142心軸

A-HG081



A-HG082



A-HG083



A-HG084



A-HG085



Ø12X142心軸
A-HG087



Ø12X142心軸
A-HG088



A-HG090



A-HG092



A-HG093



A-HG164



A-HG276



A-F3167-0



A-F3190



A-F3200



A-F3200-1



A-F3200-1A



A-F3220-1



A-F3245-1



E-thru A-F3246



AUK-03



AUK-04



AF3633
Kickstand



A-FCS01



A-FCS02



A-FCS06



AF-PT500-01
Battery Adapter/Connector



A1-26
BROSE
Motor Bracket



A1-28
SHIMANO
EP8 E8 E7 E61 E5
Motor Bracket



A1-29-N
BOSCH-Active
G3
Motor Bracket



A1-33
YAMAHA
Motor Bracket



A1-36
SHIMANO
E6100
Motor Bracket



A1-39
BOSCH
G4
Motor Bracket



A1-46
BOSCH
G3
2 Pieces
Welded MB



A1-47
SHIMANO
EP8 E8 E7 E61 E5
Motor Bracket



A1-48
BOSCH
G4
2 Pieces
Welded MB



A1-49
BOSCH G4
2 Pieces
Welded MB



A1-51
BROSE S-Mag
Motor Bracket



A1-52
Motor Bracket



A1-54
BAFANG
G80
Motor Bracket



A1-55
BAFANG
G520-M500
Motor Bracket



A1-56
Gravity Casting
Motor Bracket

WORLD - LEADING INNOVATION

Welcome OEM/ODM Development

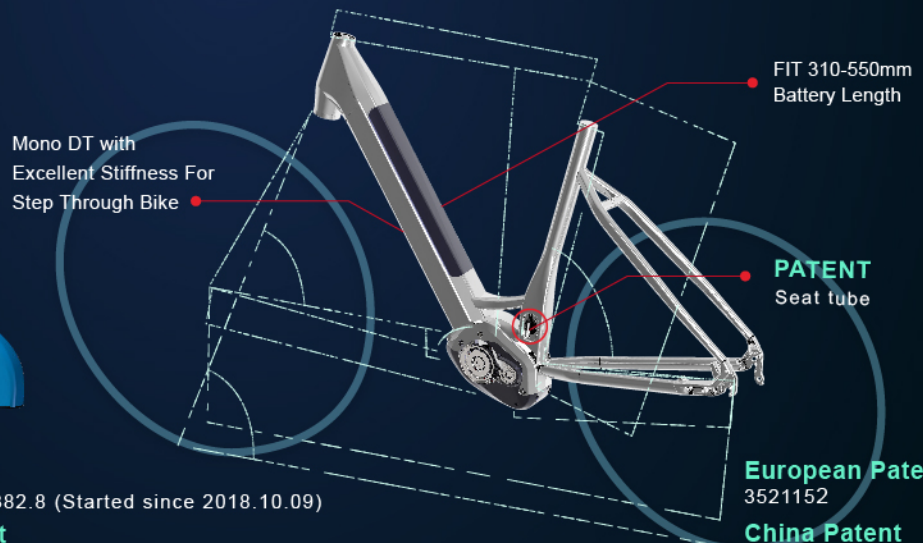
As E-BIKES get more sophisticated, So do hydroformed parts from A-FORGE www.aforge.com.tw



Gravity Casting Motor Bracket (BOSCH system)



One piece design of Downtube & Motor Bracket



Mono DT with Excellent Stiffness For Step Through Bike

FIT 310-550mm Battery Length

PATENT Seat tube

China Patent

ZL 2018 2 0212382.8 (Started since 2018.10.09)

Taiwan Patent

I676575 (Started since 2019.11.11)

European Patent
3521152

China Patent

ZL 2018 2 0210697.9

Welcome OEM/ODM Cooperation

Innovation is Our Main Power For Continuous Breakthrough.



九川實業股份有限公司

A-FORGE ENTERPRISE CO., LTD

TEL:886-4-25676851 FAX:886-4-25682995

E-mail: aforge@aforge.com.tw aforge@ms29.hinet.net

天成車料(深圳)有限公司 / 九川金屬製品(深圳)有限公司
TIANCHEN BICYCLE-PARTS(SHENZHEN) CO., LTD
A-FORMING METAL PRODUCTS(SHEN ZHEN) CO., LTD
TEL:86-755-28012794/6 FAX:86-755-28012795 E-mail: aforge@vip.163.com

AFORGE METAL PRODUCTS (VIETNAM) COMPANY LIMITED(AVN)
7 VSIP II-A, Street 32, Vietnam-Singapore Industrial Park II-A, Tan Binh Town,
Bac Tan Uyen District, Binh Duong Province, Vietnam / TEL: 84-867958733 E-mail: avn@aforge.com.tw

