

---

# Automatic Grey Water Reuse System

## Installation Manual



Our spirit of business is to build something valuable, to solve day to day problems, save & provide useful service, and to explore the frontiers of human possibility.

Water conservation is increasingly important under the strain of a growing population. You have world's first independent grey water reuse system to save water that would otherwise go down the drain after a single use—saving money, conserving water and reducing dependency on utilities in the process.

Grey water is the wastewater produced during daily activities like washing your hands, showering, using a dehumidifier and washing laundry. This systems designed to reuse this wastewater divert it to landscapes, lawns & gardens or for flushing instead of the sewer.

By using this unit, you not only save, you also support sustenance of mankind and leave better world for the future generations to come.

Space saving modular design make it easy to fit in existing bathroom without making any structural changes, thus giving complete versatility, depending upon the requirement of user or the architect.

*Origins Ultimate*

# 60, Khuba Plots, Kalaburgi 585102. Karnataka. India. Ph No: 91 – 8472 - 256455, 256492, 256719.  
Mobile: 91–9739990309. Email: emailrethink@gmail.com Web site: www.khuba.in

---

**Please read, follow installation instructions carefully, to ensure long life & reliable operation of the appliance.**

## **CONTENTS**

Stainless Steel frame Installation Steps-----	Page 03
Bottom receiving tank Installation Steps-----	Page 05
Tray Installation Steps-----	Page 10
Tanks Installation Steps-----	Page 12
PCB Board Fixing Steps-----	Page 15

## **Attention!**

Under no circumstances should you attempt to install, repair or disassemble the grey water reuse unit without first shutting off all power to the unit directly at the circuit breaker box.

Installation of this product is restricted to indoor locations only by licensed plumbing or electrical contractors.

*Origins Ultimate*

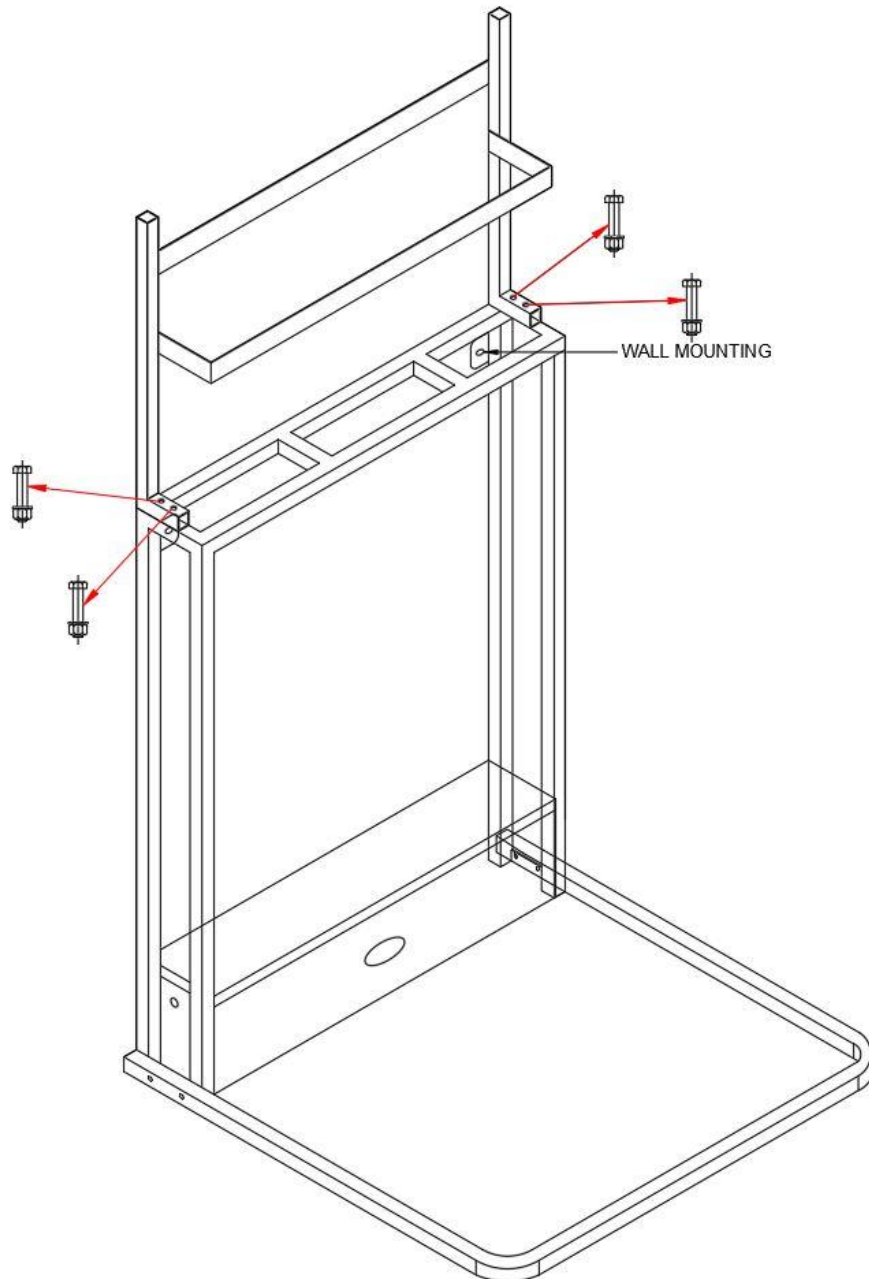
**# 60, Khuba Plots, Kalaburgi 585102. Karnataka. India. Ph No: 91 – 8472 - 256455, 256492, 256719.  
Mobile: 91–9739990309. Email: emailrethink@gmail.com Web site: www.khuba.in**

---

## Stainless Steel Frame Installation Method

- Mounting on The Wall

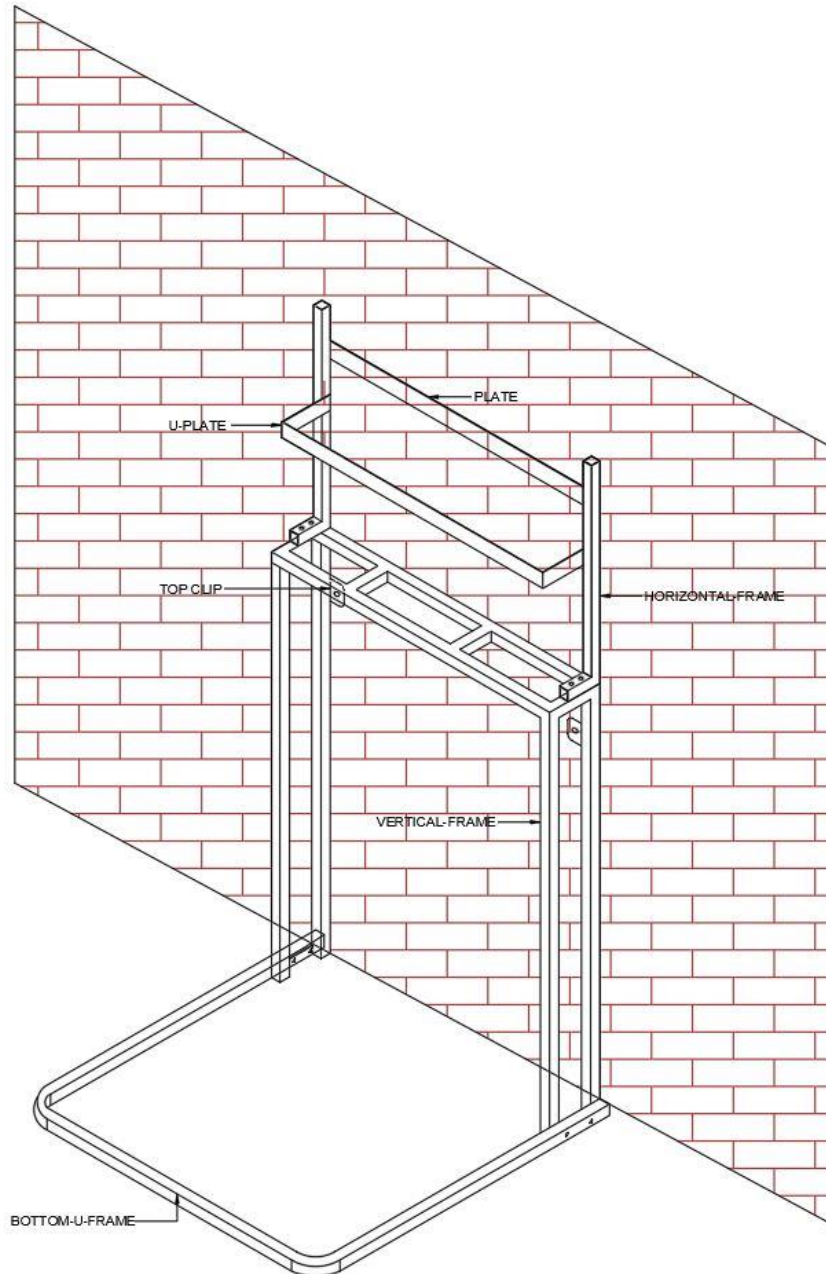
**Fig 1** -> First connect the four bolts of the stand firmly and thereafter at the desired location mark position and drill 2 hole for fixing expansion bolts in the wall from 2 sides of upper frame.



*Origins Ultimate*

# 60, Khuba Plots, Kalaburgi 585102. Karnataka. India. Ph No: 91 – 8472 - 256455, 256492, 256719.  
Mobile: 91-9739990309. Email: emailrethink@gmail.com Web site: www.khuba.in

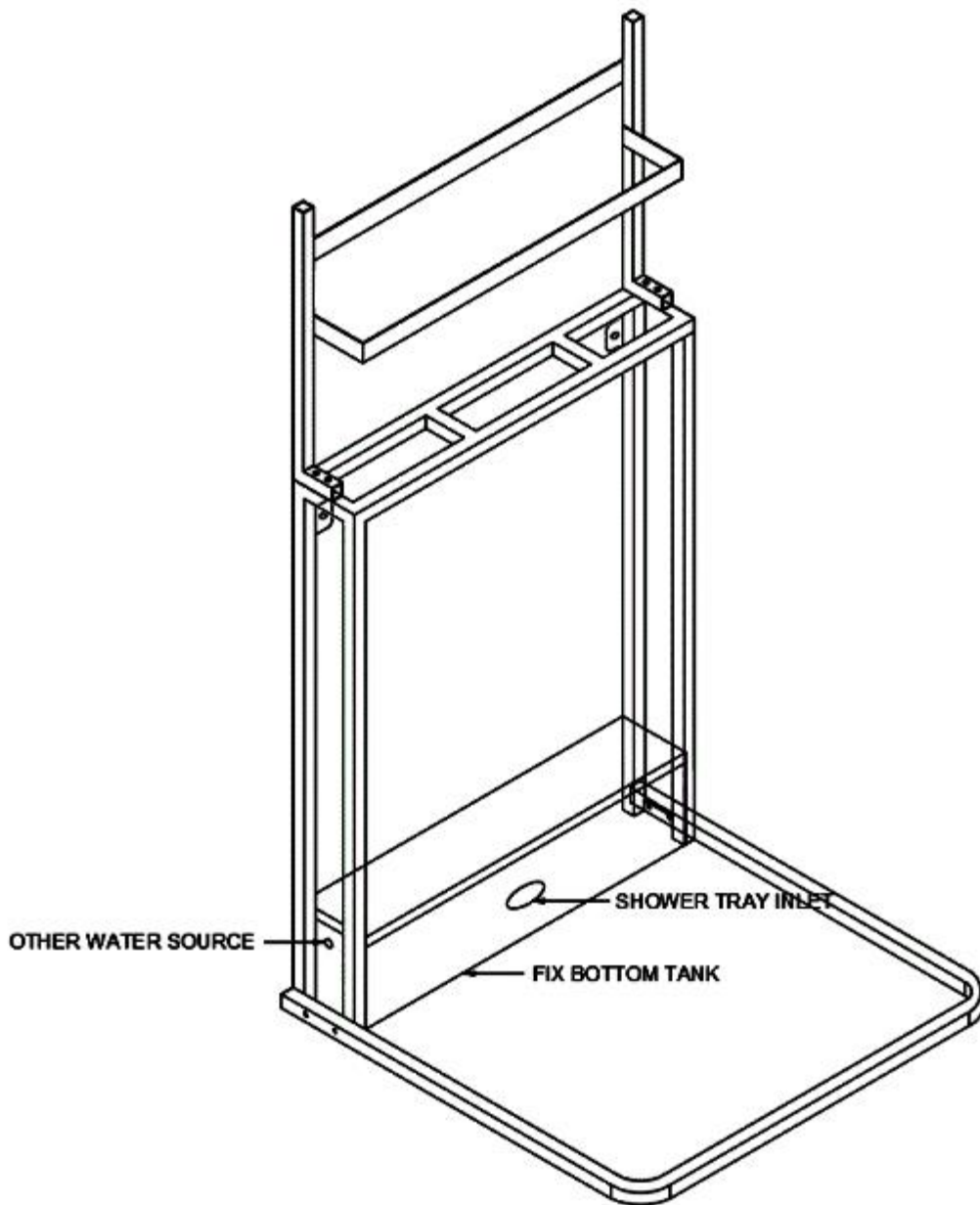
Fig 2 → Affix bolts as shown in the figure Fix the wall mountings by using the expansion bolt provided.



*Origins Ultimate*

# 60, Khuba Plots, Kalaburgi 585102. Karnataka. India. Ph No: 91 – 8472 - 256455, 256492, 256719.  
Mobile: 91-9739990309. Email: emailrethink@gmail.com Web site: www.khuba.in

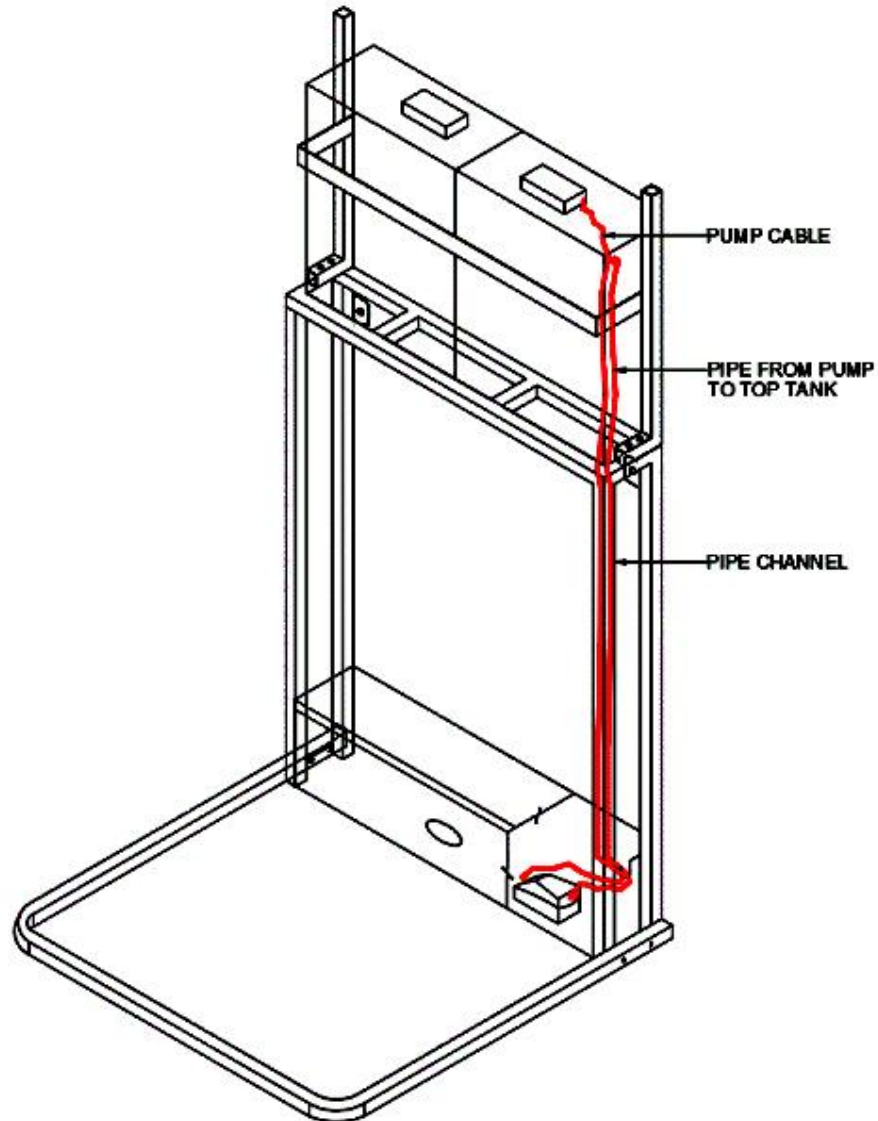
Fig 3 → Fix the bottom receiving tank in its location as shown below.



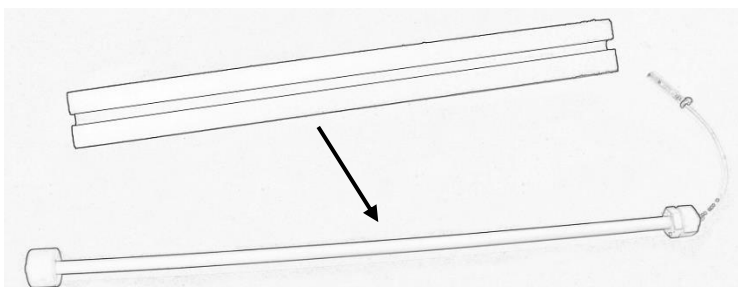
*Origins Ultimate*

# 60, Khuba Plots, Kalaburgi 585102. Karnataka. India. Ph No: 91 – 8472 - 256455, 256492, 256719.  
Mobile: 91-9739990309. Email: emailrethink@gmail.com Web site: www.khuba.in

**Fig 4 → Insert the top dual tanks with all accessories and draw the cable through the space provided within the C channel in front right hand side leg of the frame as shown to draw the cable & water pipe for connecting from Bottom tank pump to Top Tank. Connect the water pipe by firmly pressing into the connector. Connect water proof power cable with the electrical output device by matching the color code of both cables.**



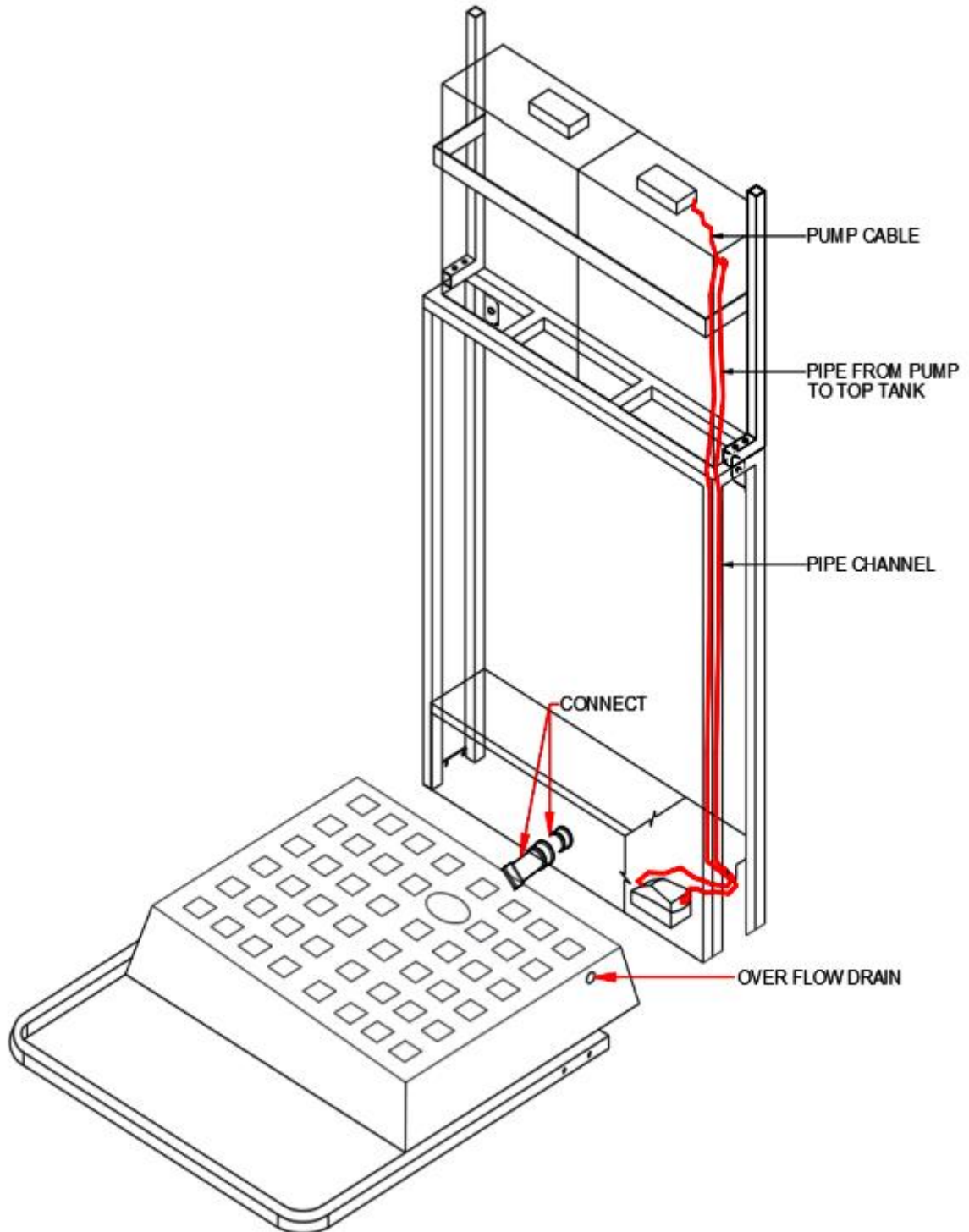
**NOTICE: → Remove poly foam packing from the water level flow before any usage as below-**



*Origins Ultimate*

# 60, Khuba Plots, Kalaburgi 585102. Karnataka. India. Ph No: 91 – 8472 - 256455, 256492, 256719.  
Mobile: 91-9739990309. Email: emailrethink@gmail.com Web site: www.khuba.in

Fig 5 → Insert the rubber seal provided and connect the shower tray with bottom tank firmly as shown below.

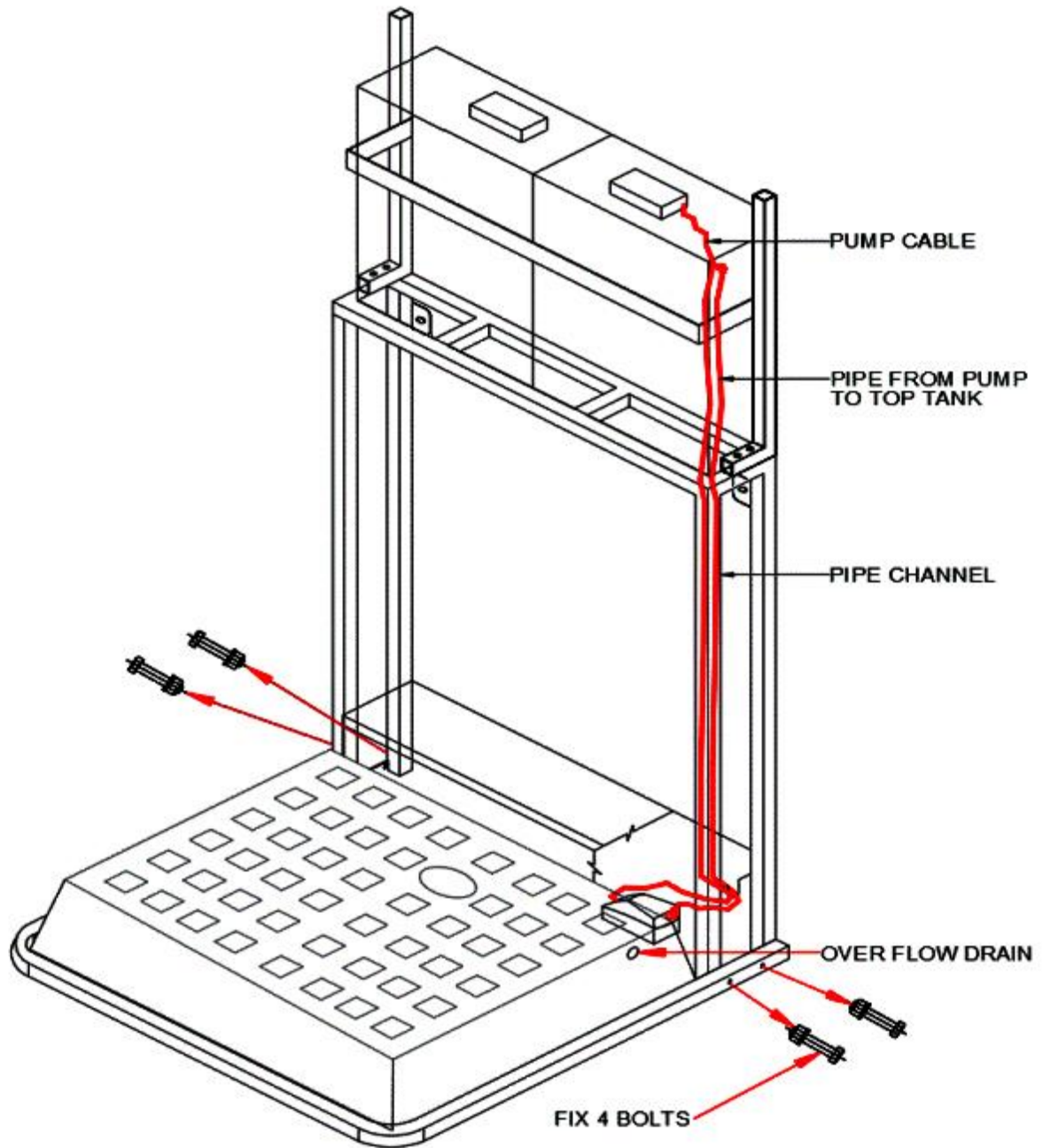


*Origins Ultimate*

# 60, Khuba Plots, Kalaburgi 585102. Karnataka. India. Ph No: 91 – 8472 - 256455, 256492, 256719.  
Mobile: 91-9739990309. Email: emailrethink@gmail.com Web site: www.khuba.in



**Fig 6** → Firmly press U tray forward and fix the 4 bolts firmly as shown in the figure. Check and provide packing / support if the unit is unstable due to uneven wall or floor .



*Origins Ultimate*

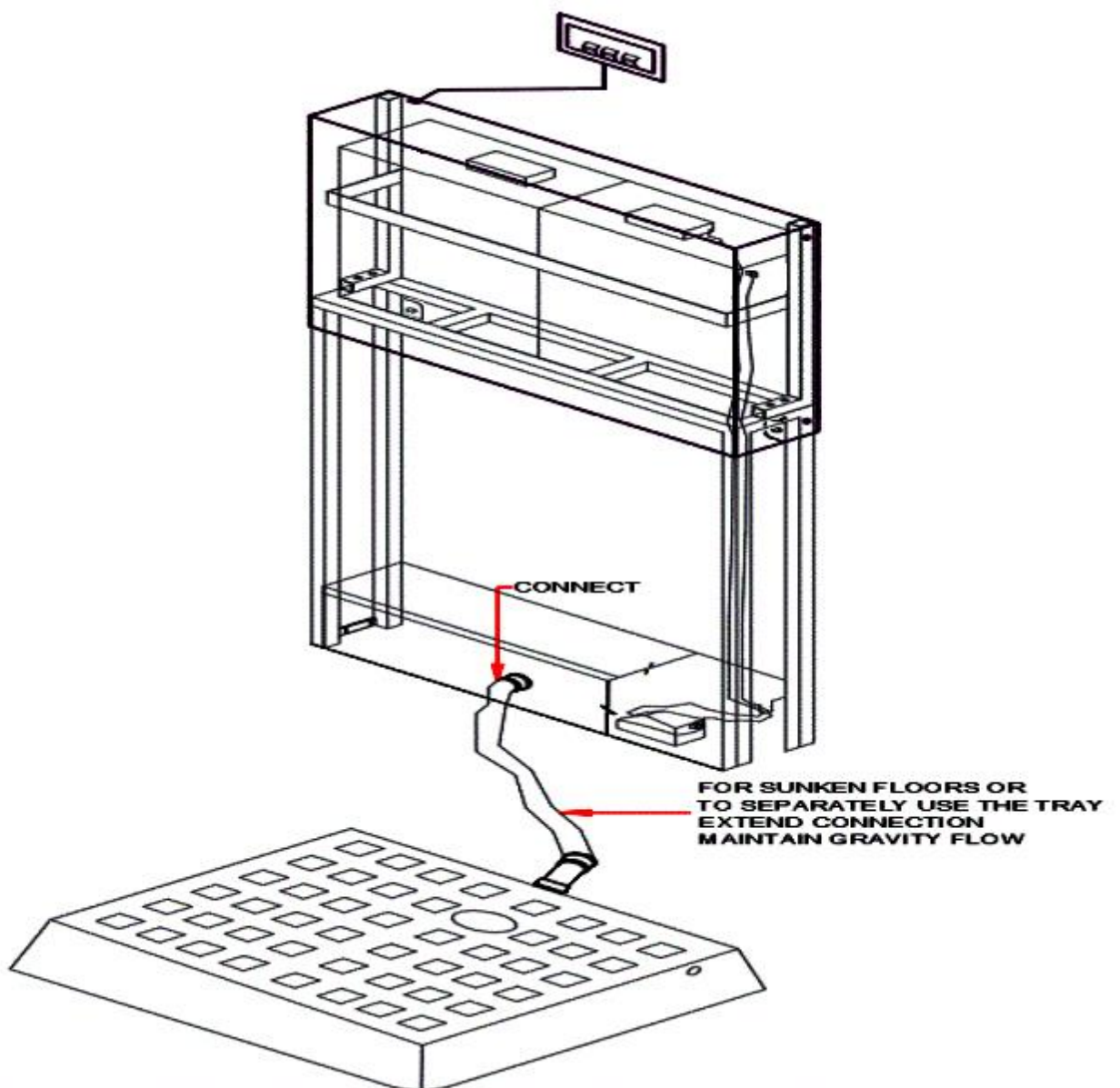
# 60, Khuba Plots, Kalaburgi 585102. Karnataka. India. Ph No: 91 – 8472 - 256455, 256492, 256719.  
Mobile: 91-9739990309. Email: emailrethink@gmail.com Web site: www.khuba.in



**Fig 7 →** Fix LED PANEL using two screws provided and connect cable to power unit by matching the color code.



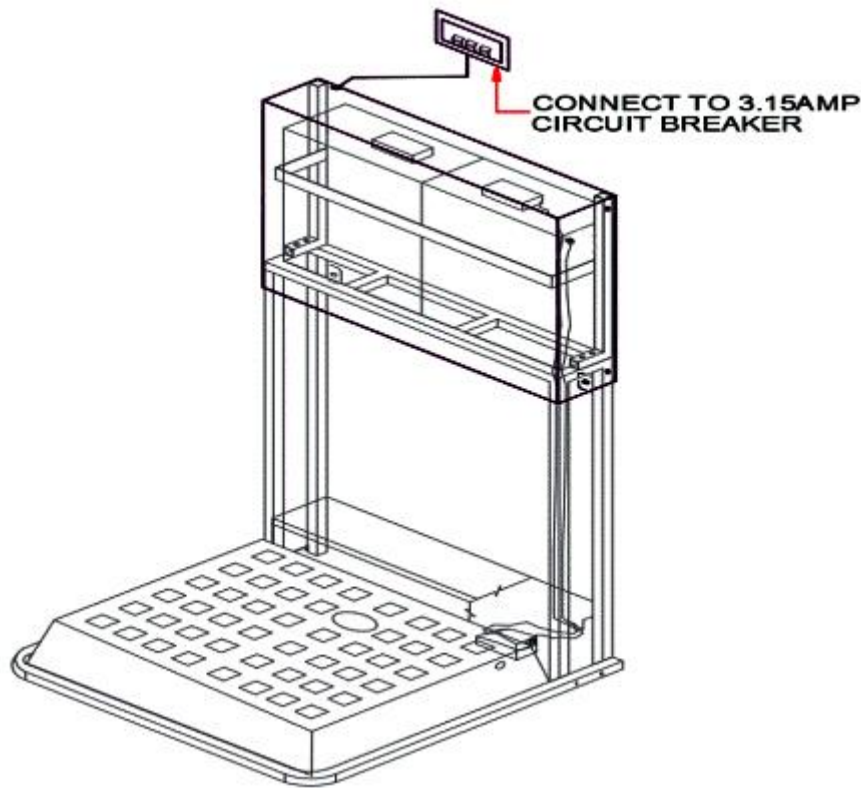
**Fig 8 →** Draw the main power cable and fix the Top Cover. Fix the side 4 screws to ensure of the TOP cover. Note: You can use the unit with sunken floors or separate tray and storage unit by extending the connection from tray outlet.



*Origins Ultimate*

# 60, Khuba Plots, Kalaburgi 585102. Karnataka. India. Ph No: 91 – 8472 - 256455, 256492, 256719.  
Mobile: 91-9739990309. Email: emailrethink@gmail.com Web site: www.khuba.in

Fig 8 → Connect the power cable to 3.15 amp circuit breaker and power up the unit. Connect the outflow water from the bottom of the tank to flush or gardening.



**NOTES:-**



- Proper support should be provided to ensure stability of whole unit before use. Required packing's be provided for stability in the event of uneven flooring or wall surface.
- The shower tray can also be used on the existing floor or it can be used with bathrooms having sunken floor, in case of sunken floors: proper care should be taken to maintain the natural flow of water from tray to collection unit, and the overflow drain should be connected to properly. Fix the unit by professional plumber.
- Grey water from other sources like washing machines or RO water unit can be used with the unit. Provision to connect such sources has been made on the left hand side of the bottom tank.

*Origins Ultimate*

# 60, Khuba Plots, Kalaburgi 585102. Karnataka. India. Ph No: 91 – 8472 - 256455, 256492, 256719.  
Mobile: 91–9739990309. Email: emailrethink@gmail.com Web site: www.khuba.in

---

## **MAINTAINANCE.**

- Do not use water source from dish washer or water having solid or semi solids or high oil or grease content, as this might choke the strainers and cause damage to the pump.
- If the unit is not in use, it is essential to empty the tanks, clean the unit, and keep it dry and switch off the power supply from the circuit breaker.
- Periodic cleaning of the strainer, and removal of any solids which are separated within the collection unit is essential for smooth operation of the unit.
- This appliance is forbidden to be switch ON if the water is frozen, as this could result in damage to the unit. Wait until you are sure that unit has completely thawed out before you switch it on.

## **PRODUCT FEATURES**

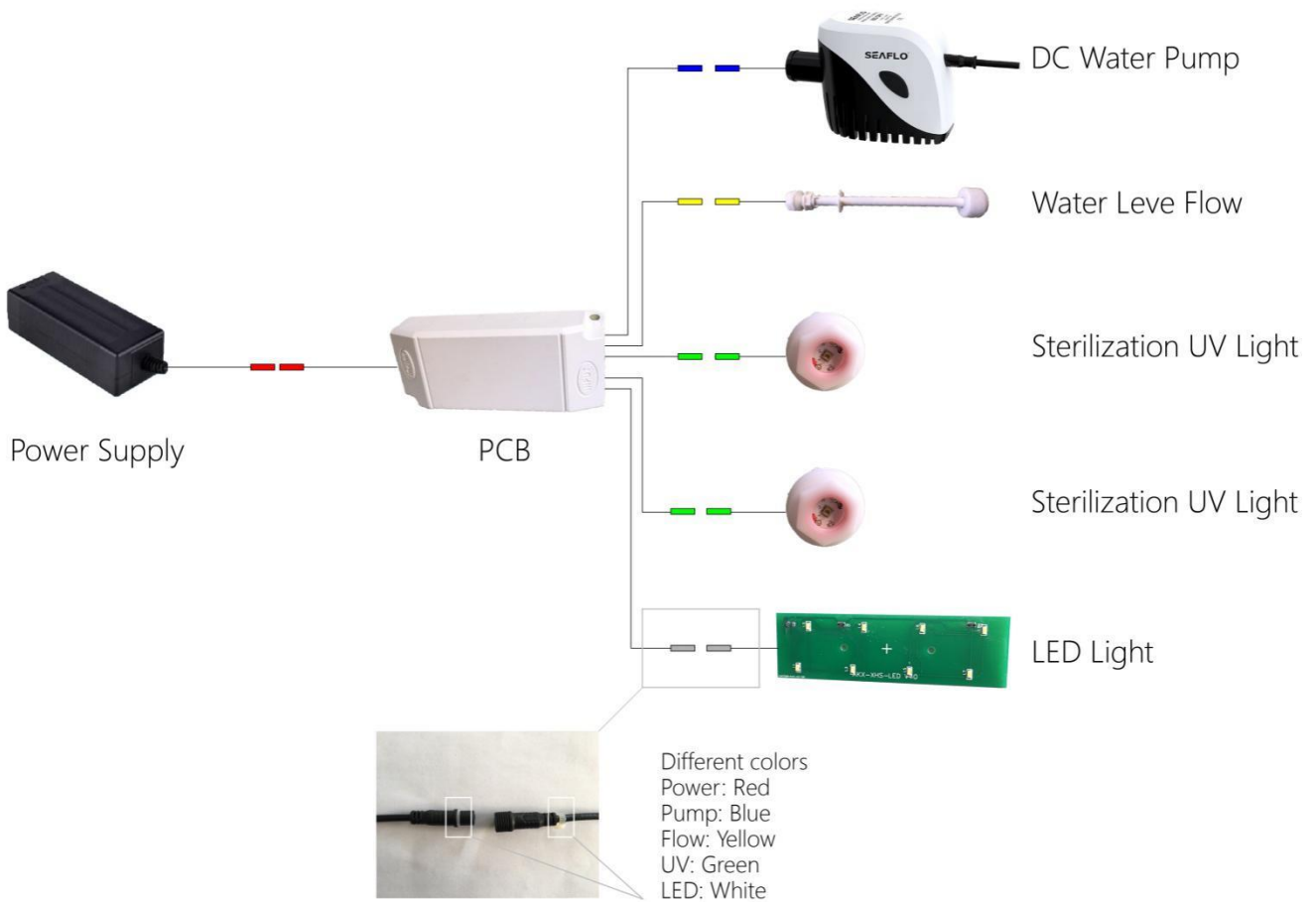
This Automatic grey water reuse system is incorporated with patented technology, eradicating the need for storage tank, combined with highest multi-safety devices, and long service life. Reuse of grey water and lower power consumption for the benefit and sustainability of mankind.

- Grey water reuse reduces fresh water usage, by using Wastewater from showers, washing machine, RO which are low in pollutants and thus high in potential for reuse.
- The grey water is subject to dual LED based UV lights, which makes the grey water safer for reuse. The UV lights switch on automatically at regular intervals to make the water safe for reuse.
- The unit has been provisioned to accept water from washing machine, RO etc. Just connect the water outlet and everything else is take care automatically.
- Our product re-uses grey water from sources throughout a home to toilet for flushing or for gardening, depending upon the local governing laws
- Once the unit is powered on, and is designed with state of the art technology, to switch on automatically sensing the water availability, without the need for human intervention.
- If the tank is empty the red light will start blinking to alert the user to use alternate source.
- Anti skid tray has been provided for highest safety at the time of having bath.

*Origins Ultimate*

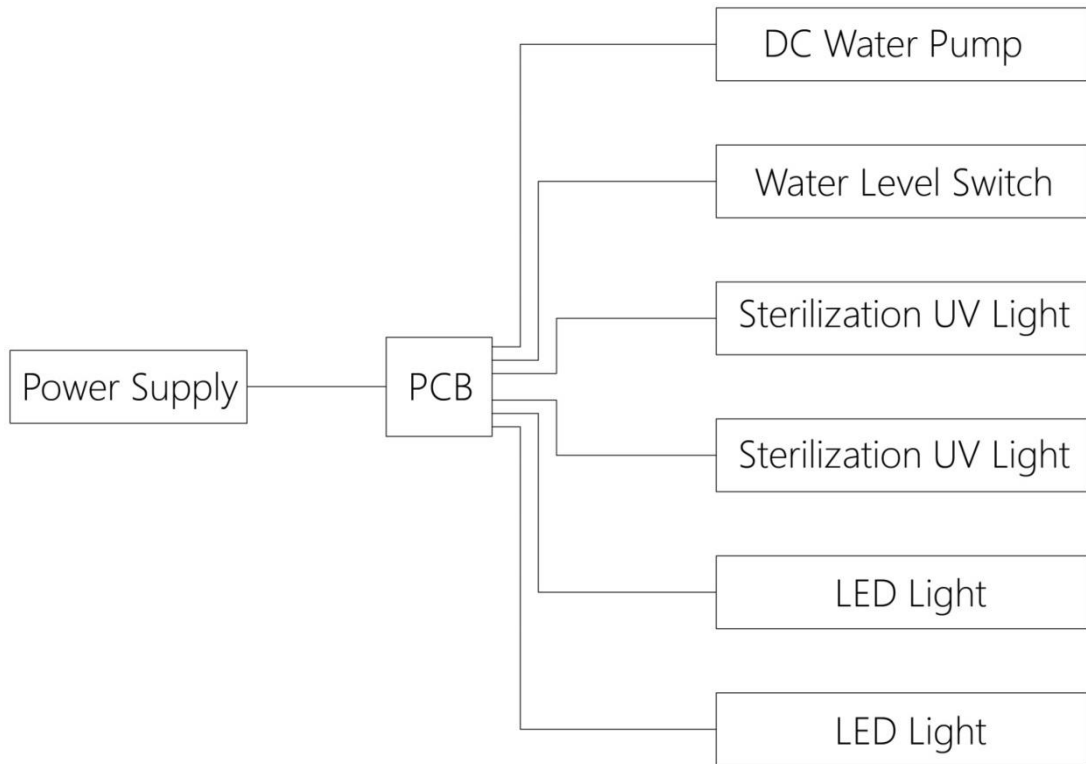
# 60, Khuba Plots, Kalaburgi 585102. Karnataka. India. Ph No: 91 – 8472 - 256455, 256492, 256719.  
Mobile: 91–9739990309. Email: emailrethink@gmail.com Web site: www.khuba.in

**Electrical Diagram**



*Origins Ultimate*

# 60, Khuba Plots, Kalaburgi 585102. Karnataka. India. Ph No: 91 – 8472 - 256455, 256492, 256719.  
Mobile: 91-9739990309. Email: emailrethink@gmail.com Web site: www.khuba.in



### Technical Data

Model	OUG01
Phase	1
Rated Voltage	220V-240V
Rated Frequency	50/60 Hz
Rated Power	80 Watts
Connecting Wires Section	3x2.5mm <sup>2</sup>

*Origins Ultimate*

# 60, Khuba Plots, Kalaburgi 585102. Karnataka. India. Ph No: 91 – 8472 - 256455, 256492, 256719.  
 Mobile: 91–9739990309. Email: emailrethink@gmail.com Web site: www.khuba.in

---

## Installation Guideline

The installation must be in compliance with the local governing Electrical and Plumbing codes.

- Make sure the appliance is intact, and the fittings are complete.
- Do not install the unit in a room where there is a chance of freezing.
- Make sure of proper connections to main power supply, properly grounded with dedicated branch circuits, circuit breaker of proper voltage rating. Ground connection must be brought to the “ground” at the circuit breaker panel. The connecting wire should meet the standard of installation requirement and your local governing laws.
- The power must be routed through dedicated circuit breaker.
- Use diverter for supply of additional water for the point of use.
- DO NOT install this appliance near to tinder or strong magnetic field place.
- Mount the unit onto a flat section of wall, in case of any uneven surface abutting the unit. Ensure stability by providing support / packing, as required on site.
- Please electrify / switch on only after the machine connections are properly done and checked.
- **Electrical connection**
  - Electrical work must comply with national and applicable state and local electrical codes.
  - Unit must be connected to properly grounded dedicated branch circuit of proper voltage rating.
  - Power feed the cable to terminal blocks, make sure the metal wire ends and the terminal blocks to be completely in contact by using either lugs and with electrical conducting paste, then tighten the screws to make sure the full current can go through.
  - Before beginning any work, ensure that main breaker panel switched OFF to avoid any danger of electric shock, all mounting and plumbing must be completed before proceeding with electrical hook-up.

*Origins Ultimate*

# 60, Khuba Plots, Kalaburgi 585102. Karnataka. India. Ph No: 91 – 8472 - 256455, 256492, 256719.  
Mobile: 91–9739990309. Email: emailrethink@gmail.com Web site: www.khuba.in

## Operation Instructions

- Turn on the circuit breaker, to start power supply the unit, and enters into standby mode.
- The unit automatically starts when the water is sensed from any source, without need for switching on or off every time.
- If the grey water tank is empty, the RED LED light will start blinking .

## ■Trouble-shooting

Problems	Possible Causes	Corrective Actions
1. Inlet and outlet fittings leaking	<ul style="list-style-type: none"> <li>• Loose fit</li> <li>• Rubber washer worn-out</li> </ul>	<ul style="list-style-type: none"> <li>• Tighten to fit.</li> <li>• Change rubber washer.</li> </ul>
2. LED no signal	<ul style="list-style-type: none"> <li>• Power not connected.</li> <li>• LED damaged.</li> </ul>	<ul style="list-style-type: none"> <li>• Check power supply.</li> <li>• Change LED.</li> </ul>
3. No Water at outlet	<ul style="list-style-type: none"> <li>• No water from shower tray.</li> <li>• No water from other sources</li> </ul>	<ul style="list-style-type: none"> <li>• Open diverter to get water.</li> <li>• Clean strainer</li> </ul>
4. Lower water output	<ul style="list-style-type: none"> <li>• Inlet strainer or shower tray clogged.</li> </ul>	<ul style="list-style-type: none"> <li>• Clean strainer and tray drain.</li> </ul>
5. Unit shut down	<ul style="list-style-type: none"> <li>• High Voltage.</li> <li>• Electrical leakage</li> </ul>	<ul style="list-style-type: none"> <li>• Regulate power supply.</li> <li>• Call qualified electrician / dealer</li> </ul>
6. Tray water overflow	<ul style="list-style-type: none"> <li>• Outlet pipes clogged</li> </ul>	<ul style="list-style-type: none"> <li>• Clean pipes.</li> </ul>

## ■ Normal Maintenance

**Note: Call a service person for assistance. Always shut off the power supply while operating maintenance.**

**This unit does not require regular maintenance. How ever due to quality of water of different locations which tend to clog and restrict the flow, it is recommended following maintenance.**


- Periodically remove scale and dirt that may build up in the unit.
- There is a built in filter screen at bottom receiving tank, which should be cleaned from time to time. Please turn off the power and water flow before doing this.

*Origins Ultimate*

# 60, Khuba Plots, Kalaburgi 585102. Karnataka. India. Ph No: 91 – 8472 - 256455, 256492, 256719.  
Mobile: 91–9739990309. Email: emailrethink@gmail.com Web site: www.khuba.in



## CORRECT DISPOSAL OF THIS PRODUCT

	<p>This symbol on the product, or in its packing, indicates that this product may not be treated as household waste. Instead, it should be taken to the appropriate waste collection point for the recycling of electronic equipment. By ensuring this product is disposed of correctly, you will help prevent potential negative consequences for the environment and human health, which could otherwise be caused by the inappropriate waste handling of this product. For more detailed information about the recycling of this product, please contact your local council, your household waste disposal service.</p>
---	--

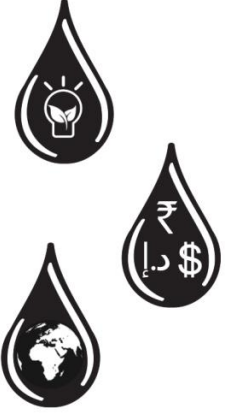
### ■Packing List

Item	Unit	Quantity
	Unit	1
Operation and Installation instructions	Copy	1
All parts	Set	1

*Keep this Instructions Manual in a safe place once your unit is installed. You may need to refer to it for general instructions or future maintenance.*

*Origins Ultimate*

# 60, Khuba Plots, Kalaburgi 585102. Karnataka. India. Ph No: 91 – 8472 - 256455, 256492, 256719.  
Mobile: 91–9739990309. Email: emailrethink@gmail.com Web site: www.khuba.in



re Think

*Origins Ultimate*

# 60, Khuba Plots, Kalaburgi 585102. Karnataka. India. Ph No: 91 – 8472 - 256455, 256492, 256719.  
Mobile: 91-9739990309. Email: emailrethink@gmail.com Web site: www.khuba.in