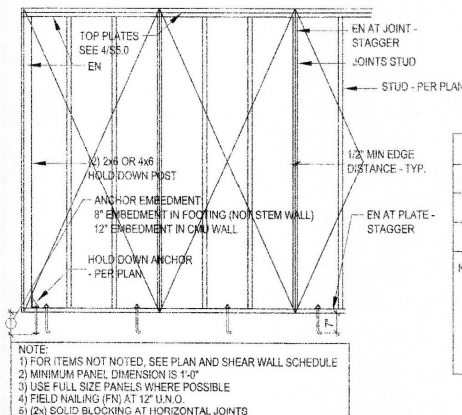


1 TYPICAL PLATE ANCHOR BOLTS
SCALE: 1" = 1'-0"



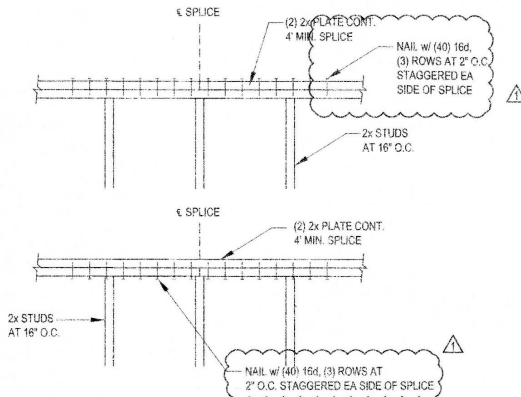
2 TYPICAL SHEAR WALL
SCALE: 1/2" = 1'-0"

SHEAR WALL SCHEDULE

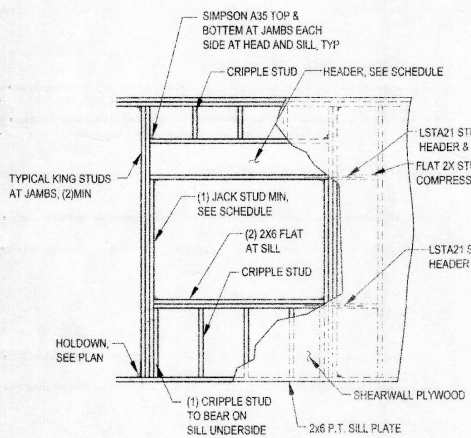
MARK	PLYWOOD THICKNESS	EN (EDGE NAILING)	AB (ANCHOR BOLTS)	SN (SHEAR NAILING)	SILL PLATE NOMINAL THICKNESS	STUD NOMINAL THICKNESS
1	15/32"	10d AT 6" O.C.	5/8@ AT 40"	16d AT 5' O.C.	2x	2x
2	15/32"	10d AT 4" O.C.	5/8@ AT 32"	16d AT 3' O.C.	2x	2x

NOTE: 1. 1 - WOOD STRUCTURAL PANEL MARK
2. PROVIDE PLATE WASHERS 3/16" x 2" x 2" TYP. AT ANCHOR BOLTS
3. PROVIDE BLOCKING AT HORIZONTAL JOINTS
4. SHEAR WALL MARK APPLYS TO ENTIRE LENGTH OF CONTINUOUS WALL, INCLUDING ABOVE DOORS AND WINDOWS AND BELOW WINDOWS.
5. SEE 2/S6.0 FOR TYP. SHEARWALL

3 SHEAR WALL SCHEDULE
SCALE: 3/4" = 1'-0"



4 SECTION: CHORD SPLICE
SCALE: 1" = 1'-0"



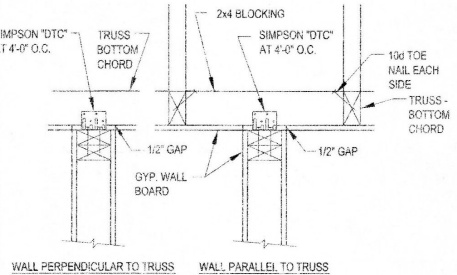
5 SECTION: TYPICAL HEADER CONNECTION
SCALE: 1/2" = 1'-0"

HEADER SCHEDULE

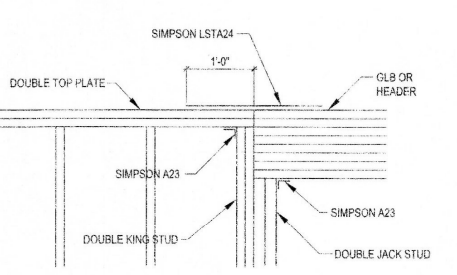
MARK	MAX. LENGTH	HEADER SIZE		REMARKS
		2x6 WALL		
H1	3'-0"	(3) 2x6		
H2	4'-3"	(3) 2x8		
H3	4'-9"	(3) 2x10		
H4	6'-0"	(3) 2x12	(2) JACK STUDS	
H5	10'-0"	GLB 5 1/8x12	(2) JACK STUDS	
H6	--	GLB 5 1/8x15	(2) JACK STUDS	

NOTES:
1. THIS TABLE REFERS TO WALL HEADERS WHICH OCCUR IN BEARING WALLS OVER WINDOWS AND DOORWAYS
2. CENTER HEADER ON WALL STUD
3. BUILD-UP HEADERS WITH 16d AT 8" O.C. STAGGERED
4. HEADERS TO BEAR ON A MINIMUM OF (1) 2X CRIPPLE STUD
5. MAX LENGTH TO BE USED ONLY WHERE HEADERS ARE NOT SPECIFICALLY MARKED ON THE PLANS
6. SEE 5/S6.0 FOR CONNECTION DETAIL, SEE 9/S6.0 FOR HEADER AT TOP OF WALL CONNECTION
7. SEE 9/S6.0 FOR HEADER CONNECTION PERPENDICULAR TO WALL

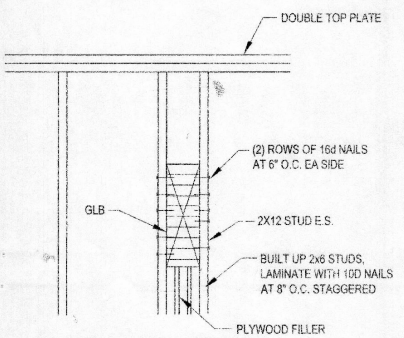
6 HEADER SCHEDULE
SCALE: 1" = 1'-0"



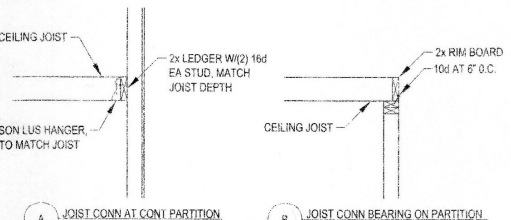
7 NON-BEARING WALL CONNECTION
SCALE: 1 1/2" = 1'-0"



8 GLB HEADER CONNECTION
SCALE: 1" = 1'-0"



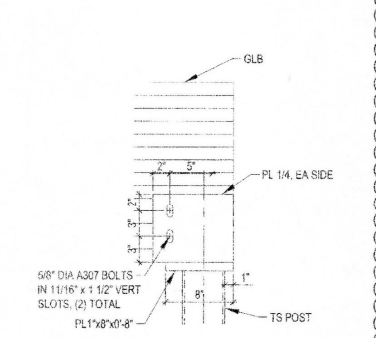
9 SECTION: GLB CONNECTION
SCALE: 1" = 1'-0"



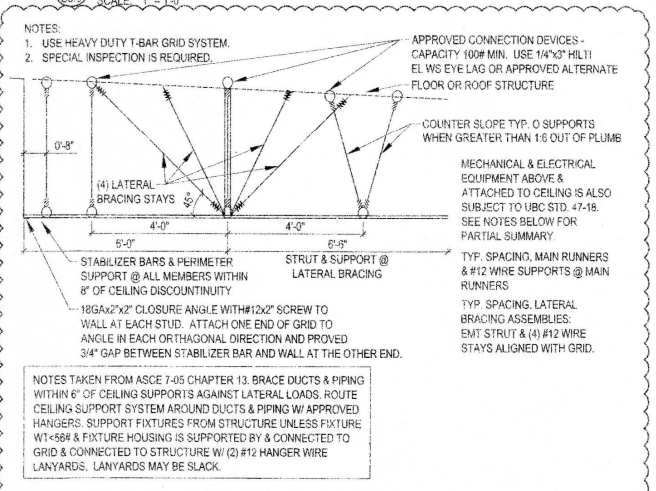
10 HARD CEILING FRAMING
SCALE: 3/4" = 1'-0"

CEILING JOIST TABLE

MAXIMUM SPAN	SIZE	SPACING
8'-0"	2x4	16" O.C.
9'-6"	2x6	16" O.C.
10'-6"	2x8	16" O.C.
12'-6"	2x10	16" O.C.
14'-6"	2x12	16" O.C.



11 POST CONNECTION
SCALE: 1 1/2" = 1'-0"



12 SUSPENDED CEILING BRACING
SCALE: 1 1/2" = 1'-0"



615 SE JACKSON STREET
MEMPHIS, TN 38102
901.522.0273 OFFICE
901.523.7548 FAX
P.L.BENTLEY@PBAARCHITECT.COM

PAUL L BENTLEY Architect A.I.A. P.C.

ADDENDUM NO. 1
11-15-13
REVISION
12-05-13

A NEW MAIN FIRE STATION FOR:
GLIDE RURAL FIRE PROTECTION DISTRICT
HWY 138
GLIDE, OR



EXPIRATION DATE: 06/30/2015

DRAWN BY: AC
CHECKED BY: SH
DATE: 10/28/2013
TITLE: TYPICAL FRAMING DETAILS
SCALE: 1/8" = 1'-0"

SHEET NO:
S6.0
7 OF 10

