

PIPELINE PRODUCTS

Waterworks Tools for the Professional



MADE IN THE U.S.A.
BUILT TO LAST

Available Colors:

Blue, Green, Yellow, Purple, Tan, Sandstone Mix & Granite Mix

PRODUCT FEATURES:

Available in 3 Sizes: 14" x 24", 18" x 30", 24" x 36"

7 aesthetically pleasing colors for commercial or residential settings

Engineered for low-maintenance & graffiti resistant performance

Manufactured from low density polyethylene with U.V. inhibitors for maximum life

Lightweight two-piece (Base & Cover) design allows easy, 360° access to the valve

Top cover locks to the base with an automatic internal latch

An integrated padlock tab can be used for added security



Toll Free: 800.998.1079 | Phone: 760.744.8907 | Fax: 760.744.8949
www.pipelineproducts.com | sales@pipelineproducts.com



Polyethylene Valve Enclosure

PART NUMBER

ADVANTAGE SERIES

Features: Lightweight two-piece (Base & Cover) design allows easy, 360° access to the valve

Top cover locks to the base with an automatic internal latch

An integrated padlock tab can be used for added security

Engineered for low-maintenance & graffiti resistant performance

Size: Available in 3 standard sizes.

Material: Manufactured from low density polyethylene with U.V. inhibitors for maximum life

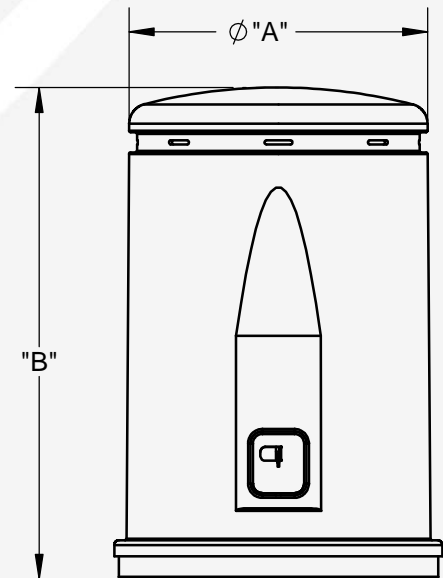
Bugscreen: 304SS Mesh Screen

Finish: Available in 7 aesthetically pleasing colors for commercial or residential settings:

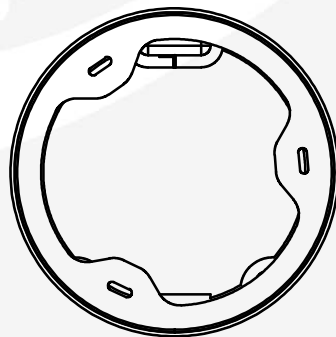
- Blue
- Green
- Purple
- Tan
- Yellow
- Granite Mix
- Sandstone Mix



| Polyethylene Valve Enclosure | | |
|------------------------------|-----|-----|
| Part No. | "A" | "B" |
| VCAS-1424 | 14" | 24" |
| VCAS-1830 | 18" | 30" |
| VCAS-2436 | 24" | 36" |



Arizona Representative:
GSM Arizona
 Crystal Flitton 480-720-5372
www.gsmaz.com



DIMENSIONS ARE IN INCHES | DO NOT SCALE DRAWING | DRW: OSBORNE | REV. A