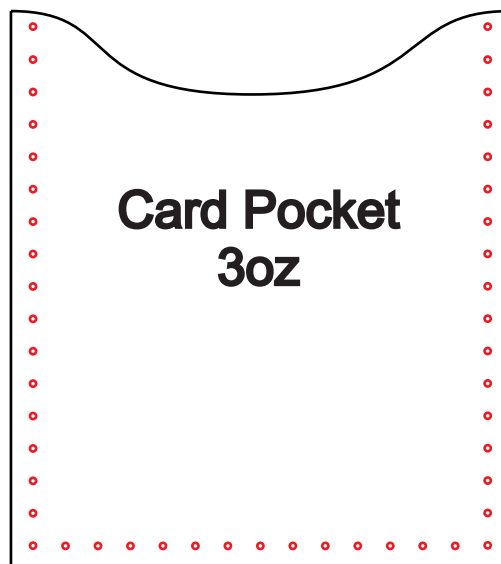
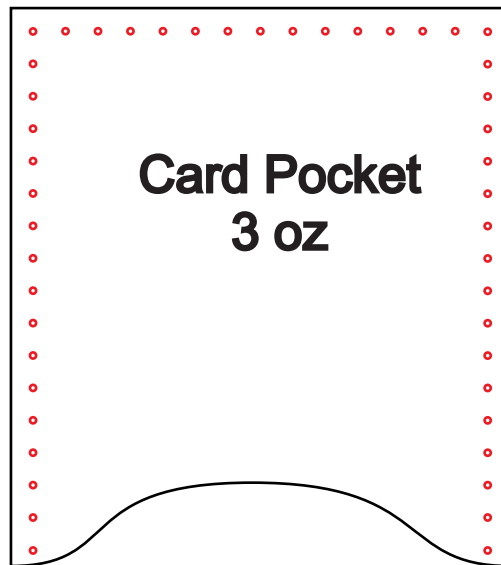
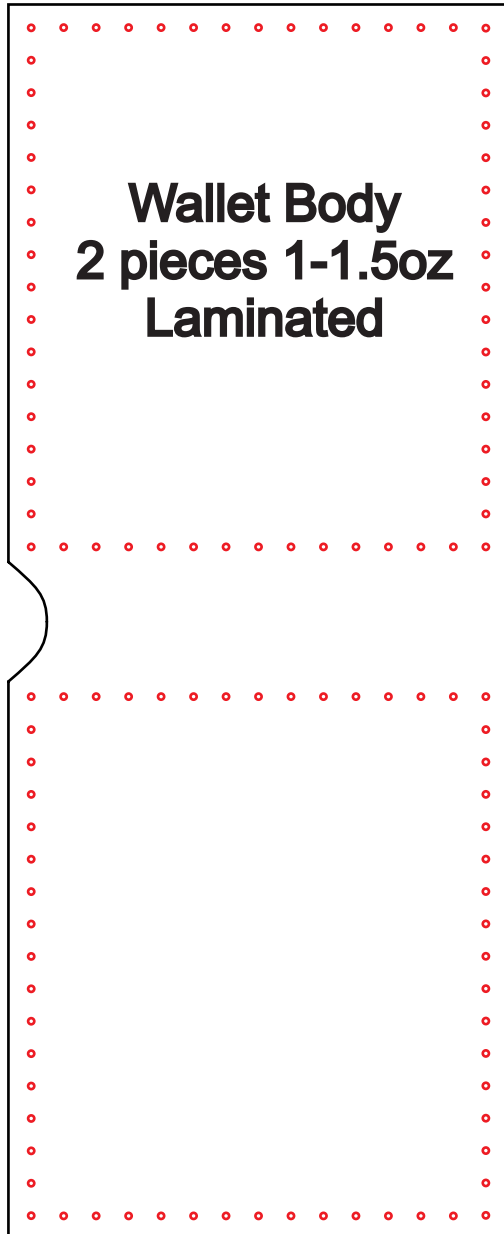


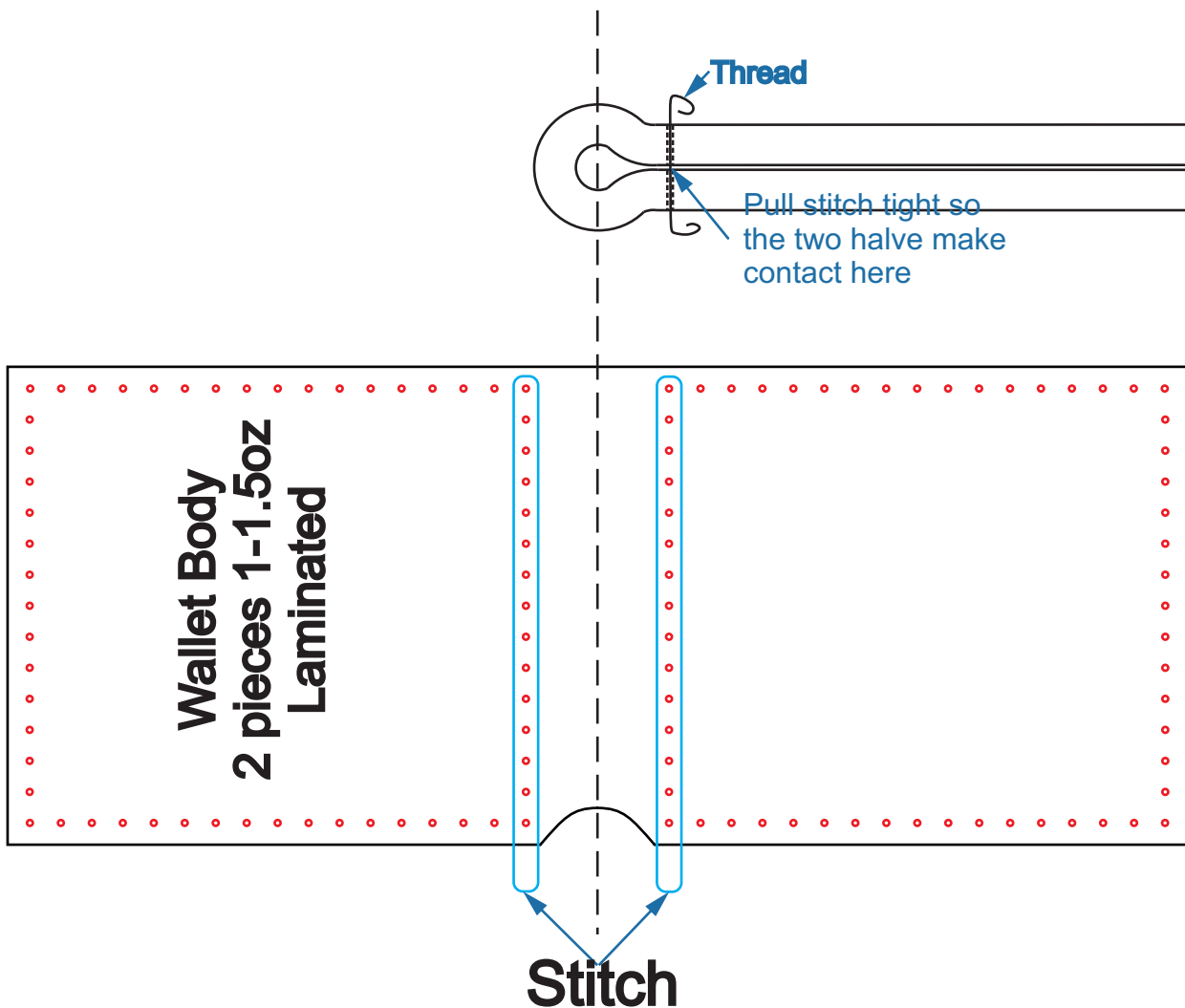
# Card holder/Spring Loaded Clip Instructions

- 1) 2 Needles
- 2) Thread
- 3) Money spring clip



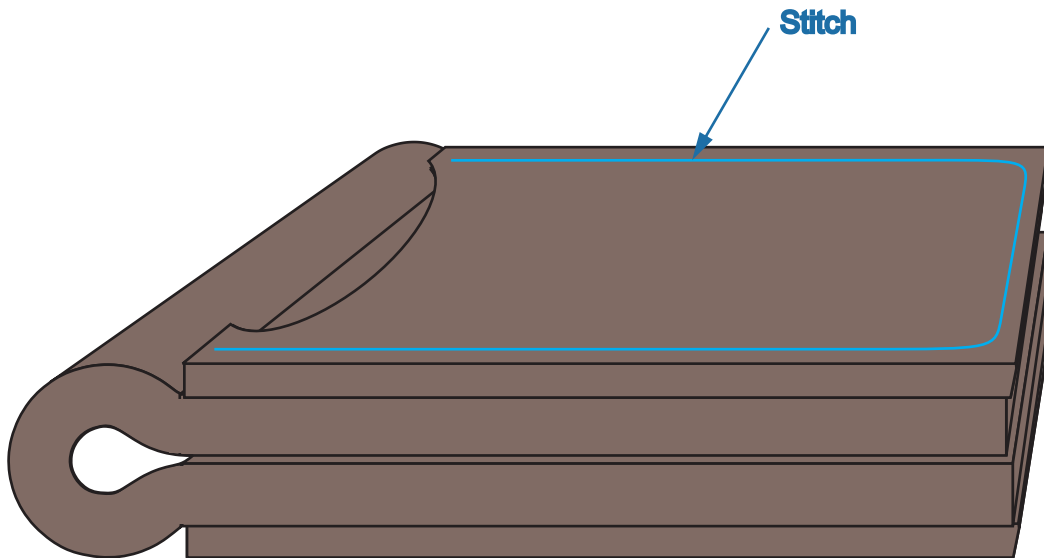
# Step 1

- 1) Fold main body in half and stitch as indicated
- 2) Make sure the stitch is tight and makes Contact where indicated.



# Step 2

1) Place cardholder on each side and stitch as indicated.



# Step 3

**1) Insert spring money clip in opening and you are done.**

