

IDS



IDS

Individual Optical Sorter

The IDS Individual Optical Sorter is designed for high-end kernel processing, using single-item inspection to deliver precise sorting and grading of every product. With 360° full-coverage detection and intelligent recognition technology, it identifies color variations, surface defects, and foreign materials while maintaining stable, accurate performance under complex material conditions.

Model	IDS
Display Size	17-inch
Air Guns	6 / 8 / 10
Machine Dimensions	6150 × 1870 × 450 mm
Feeder Dimensions	400 × 250 × 300 mm
Air Pressure	0.6 Mpa
Power Supply	220 VAC; 50 Hz

● 01

MULTICHANNEL SORTING

Supports 6 / 8 / 10 channels for flexible configuration, enabling precise classification by color, size, and defects.

● 02

FULL-VIEW INSPECTION

360° full-coverage inspection ensures complete detection of each item, reducing misses and improving overall inspection reliability.

● 03

HIGH-RESOLUTION IMAGING

High-resolution imaging captures subtle color variations and surface defects, providing a reliable visual basis for precise sorting.

● 04

HIGH-SPEED CONVEYING

Optimized for single-item sorting, the conveying system ensures orderly product flow and consistent detection performance at speeds of 2.5–3 m/s.

● 06

MODULAR EXPANSION

Supports flexible horizontal and vertical expansion, enabling scalable system capacity while maintaining sorting precision.

● 06

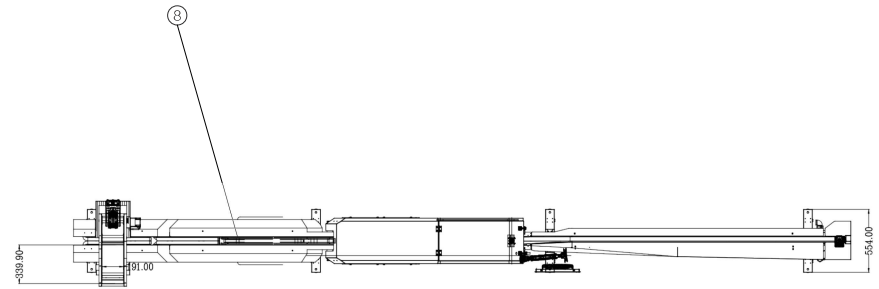
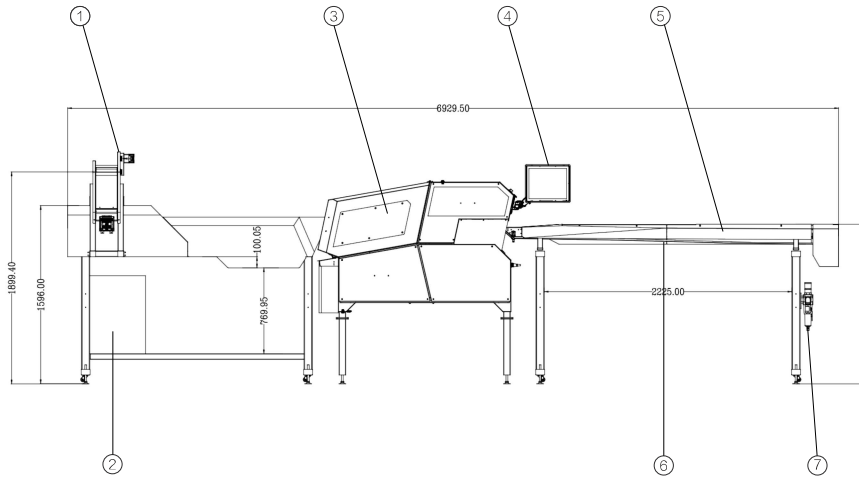
AI ADAPTIVE LEARNING

AI-driven learning continuously optimizes detection models, improving sorting accuracy with ongoing data accumulation.

SPECIFICATIONS

Flexible Modular Configuration

IDS Individual Optical Sorter supports horizontal and vertical modular combinations allowing multiple units to be connected as needed to expand capacity and build a scalable, high-precision sorting system



- 1 Infeed Port
- 3 Protective Cover
- 5 Sorting Ejection Module
- 7 Air Supply Outlet
- 2 Control Cabinet
- 4 Touch LCD Display
- 6 Sorting Discharge Outlet
- 8 Stabilizing Module

Model	Capacity	Scan Range	Detection System	Resolution
IDS	15 - 50 pcs / s (Varies by configuration)	30 mm	Industrial Vision Camera	10 px / mm

Model	Algorithm	Material	Operating Environment
IDS	<ul style="list-style-type: none"> ✓ Traditional ✓ Deep Learning 	SUS 304 (3mm Thickness)	<ul style="list-style-type: none"> ✓ -10 - 40 °C ✓ AC IP55