

VALOR 8



VALOR 8

X-Ray Imaging Sorter

Designed for light-material applications such as sunflower seeds, the Valor 8 combines high-resolution X-ray imaging, multi-modal detection, and intelligent algorithms to identify internal defects and surface irregularities in a single pass. It delivers stable, accurate sorting under continuous high-speed operation while maintaining both throughput and product quality.

Model	VALOR 8
X-Ray Output	320 W
X-Ray Leakage	< 0.2 uSv / h (without shielding)
Display Size	17 inch
Air Guns	50 - 75
Machine Dimensions	2880 × 2250 × 1100 mm
Feeder Dimensions	940 × 910 × 2020 mm
Air Pressure	0.4 - 0.6 Mpa
Power Consumption	5.5 kW
Power Supply	220 VAC; 50 Hz

● 01

MULTI-MODAL DETECTION

Combines X-ray inspection with dual RGB 4K imaging to detect internal defects and surface irregularities in one system.

● 02

LIGHT-MATERIAL OPTIMIZATION

Optimized for light materials such as sunflower seeds, improving material flow and detection consistency.

● 03

WIDE COVERAGE

A wide scanning width ensures broader material coverage while maintaining efficient and consistent throughput.

● 04

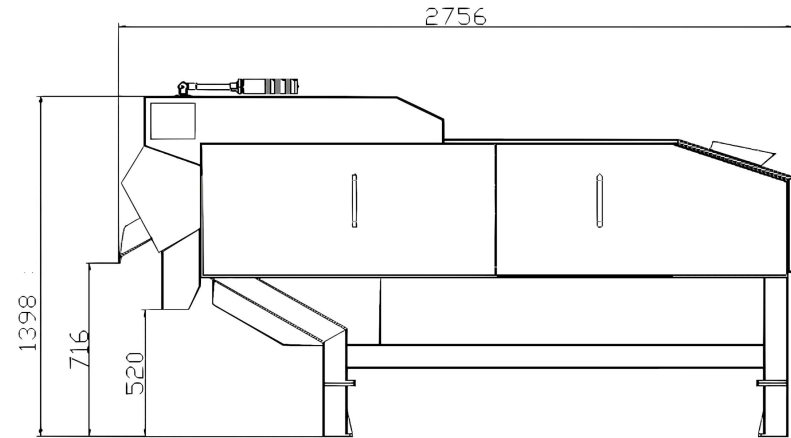
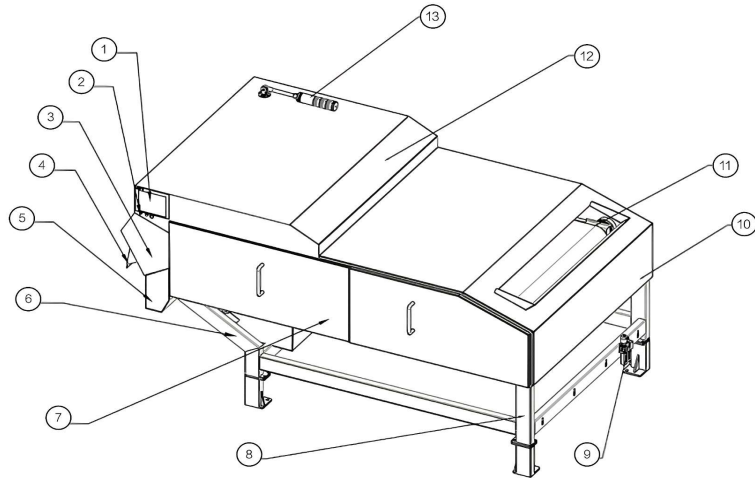
HIGH-SPEED OPERATION

Operating at a conveying speed of 1.5 - 2.5 m/s, the system remains reliable and well-balanced during continuous production.

SPECIFICATIONS

Light-Material Optimization

The Valor 8 X-ray Imaging Sorter is engineered for lightweight products with a system design optimized for controlled material flow and consistent presentation through the inspection zone helping reduce instability during processing and enabling more reliable detection of internal and surface defects



- 1 Discharge Outlet Protective Cover
- 2 Control Components
- 3 Touchscreen Display
- 4 Discharge Outlet
- 5 Reject Outlet
- 6 X-ray Inspection Chamber
- 7 Side Access Door
- 8 Frame Structure
- 9 Air Inlet Pressure 0.4–0.6 MPa
- 10 Upper X-ray Inspection Chamber
- 11 Conveying Module
- 12 Rear Safety Door
- 13 Signal Tower Red / Yellow / Green

Model	Sensor Configuration	Air Gun	Conveying Speed	Operating Environment
VALOR 8 600	X-Ray Camera + Dual RGB Camera	50	1 - 3 m / s	✓ -10 - 40 °C ✓ ACIP55

Model	Sensor Configuration	Air Gun	Conveying Speed	Operating Environment
VALOR 8 1200	X-Ray Camera + Dual RGB Camera	75	1 - 3 m / s	✓ -10 - 40 °C ✓ ACIP55