



ATLANTA HARTSFIELD JACKSON INTERNATIONAL AIRPORT CONCOURSE C EXPANSION

WWW.DIAMONDTMANUFACTURING.COM

DIAMOND T MANUFACTURING, INC. is your leading manufacturer of Specialty Architectural Features. Xpress yourself... Let your imagination run wild, then let our Team help to transform your innovative designs into reality. Our Team brings over 25 years of experience in engineering and fabricating of these unique Speciality Architectural Features for the commercial construction industry.

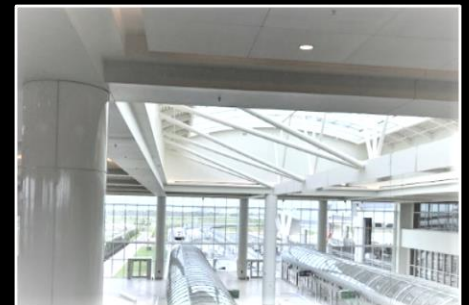
MATERIAL types frequently used are:

- Aluminum
- Stainless Steel
- Galvanized Steel
- Cold Rolled Steel
- Muntz
- Copper

FABRICATION is processed through the latest CAD technology, creating component integration modeling to ensure proper fit of all components on the project. After modeling, components are engineered for fabrication on the various pieces of CNC (Computer Numeric Controlled) fabricating equipment. These CNC operations provide ultimate efficiencies and safety while maintaining with tightest of tolerances.

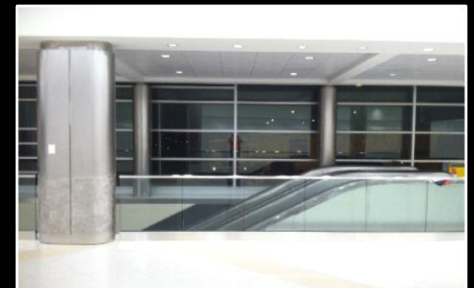
FINISHES can be as unique as the fabrication itself. Typical types of finishes include:

- **Painted Finishes**
 - Powder Coating
 - PVDF Coating
- **Textured Metals**
 - Numerous patterns from the nation's leading manufactureres of textured metals
- **Polished Finish**
 - #3 Brushed
 - #4 Satin Brushed
 - #6 Polished
 - #8 Polished (Mirror)
 - Random Grind (Graffiti Resistant)
 - Random Orbital (Non-Directional)
- **Silk Screening**
 - Belbien Vinly Print



Orlando International Airport South Airport APM Complex

Ceramic Steel column covers with a hat channel reveal system. These Ceramic Steel column covers gives a unique design, made to endure – beautifully. Defying scratches, stains, weather, pollutants and fire.

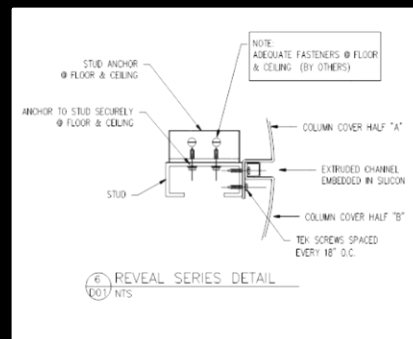
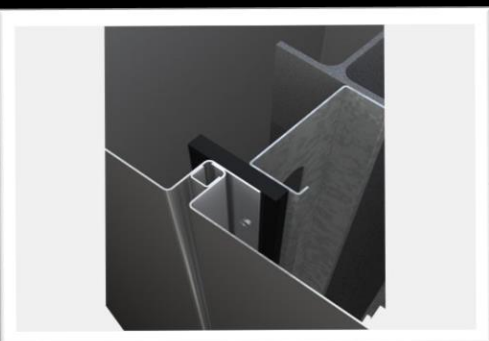
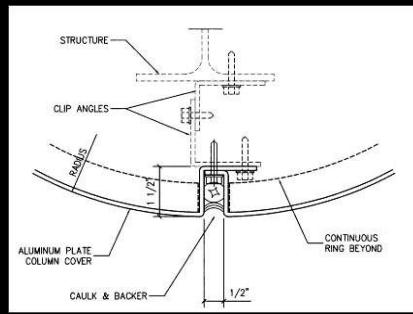
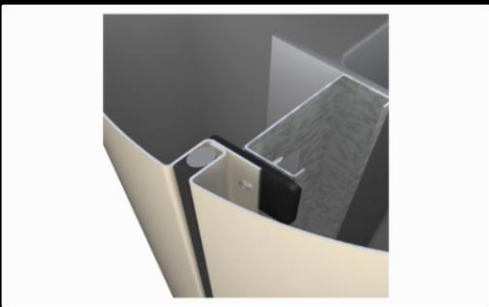
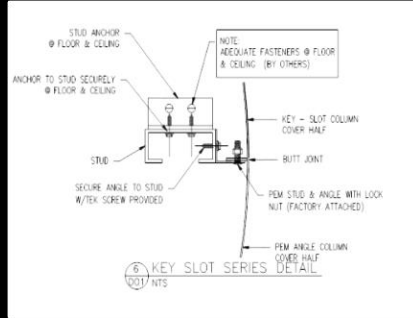


Atlanta Hartsfield Jackson International Airport Concourse C Expansion

Stainless Steel Textured with a Random Swirl Oval Column Enclosures



Typical Column Enclosure Details



DESIGNS

Configurations:

- Quarter Round
- Half Round
- Full Round
- Oval (Elliptical)
- Oblong
- Square
- Conical
- Custom

Minimal Diameter:

- 12" Aluminum and Stainless Steel (Depending on thickness)

Maximum Height Before Stacking:

- 144"

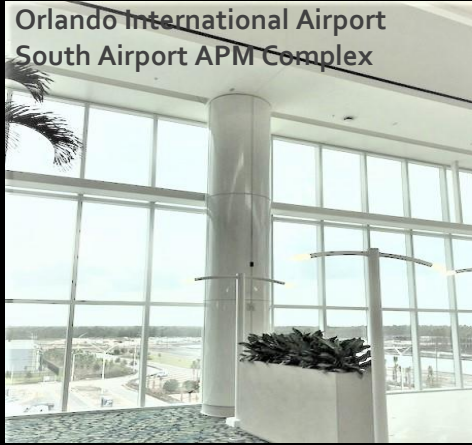
Reveals:

- Horizontal
- Vertical
- Combination of Reveals

Atlanta Hartsfield Jackson Airport
Concourse C Expansion



Orlando International Airport
South Airport APM Complex



Miami Conrac



Atlanta Hartsfield Jackson Airport
Concourse C Expansion



Orlando International Airport South
Airport APM Complex



Atlanta Hartsfield Jackson
Airport Concourse C Expansion

Sarasota-Bradenton Airport



Diamond T Manufacturing, Inc. is your leading manufacturer of Speciality Architectural Features. The Diamond T Manufacturing, Inc. Team members each bring over 25 years of manufacturing and construction experience to your project. Throughout their careers, our management team has worked on such landmark projects as the following:

- Albany Business & Technology Center
- Atlanta Hartsfield Jackson CONRAC
- Atlanta Hartsfield Jackson International Airport
 - Concourse C
 - International Terminal F
- Carmike Theaters
- Cincinnati Northern Kentucky Airport
- Dulles International Airport
- Ft. Stewart-Winn Hospital
- Logan International Airport
- RSA Judicial Center
- MARTA
 - HE Holmes Station
 - Georgia State Station
- Memphis International Airport
- Miami International Airport
 - South Terminal
 - North Terminal
 - Concourse D
 - Concourse J
 - Regional Commuter Facility
- Orlando International Airport
 - Airside 1, 2, 3 & 4
 - South APM Complex
- Sarasota-Bradenton International Airport