

XPRESSIVE METAL

TORSION SPRING CEILING PANELS



TORSION SPRING CEILING PANELS

Xpressive™ Diamond T Manufacturing, Inc. designs and fabricates high-performance torsion spring ceiling systems that combine clean aesthetics with exceptional accessibility. Our panels are engineered for precision, beginning with detailed shop drawings and moving through CNC fabrication to ensure every component fits seamlessly within the suspension grid. The torsion spring mechanism allows panels to hinge downward for easy access to mechanical, electrical, and plenum spaces, making them ideal for commercial environments that demand both style and serviceability. Available in aluminum, steel, and stainless steel with a wide range of finishes—including outsourced powder coating, wood-grain effects, and premium architectural coatings—our systems deliver durability, acoustic performance, and design flexibility. Whether used for large-scale ceilings, feature areas, or integrated acoustical solutions, Diamond T torsion spring systems offer a refined, modern look backed by reliable engineering and craftsmanship.

Available in powder-coated solid colors, these ceilings offer a sleek, contemporary look with excellent color consistency and long-term durability. Powder-coated woodgrain finishes provide the warmth and appearance of natural wood while maintaining the low maintenance, fire resistance, and dimensional stability of aluminum. Together, these finish options make aluminum Torsion Spring Ceiling Panels a versatile solution for commercial, institutional, and architectural interiors and exteriors seeking both performance and refined aesthetics.

Depending on the chosen pattern and color, it can be used in conference rooms, offices, schools, kindergartens, early-education centers, cinemas, living rooms, studies, exterior soffits and many other spaces.

Its standout design, along with the material's inherent properties—sound absorption, environmental friendliness, antibacterial performance, flame resistance, and thermal insulation—make it highly favored by designers and customers.

KEY FEATURES & BENEFITS

- **Durable Aluminum Construction** - Lightweight, non-combustible, and resistant to warping, moisture, and corrosion for long-term performance.
- **Powder-Coated Finish Options** - Available in solid colors for a modern look or realistic woodgrain finishes that deliver warmth without the maintenance of natural wood.
- **Design Flexibility** - Profiles allow for creative layouts, spacing, and orientations that enhance architectural interest.
- **Low Maintenance & Sustainable** - Easy to clean, long-lasting finishes, and recyclable materials support sustainable building goals.

PERFORMANCE

Xpressive™ Torsion Spring Ceiling System delivers reliable performance through its precise engineering, durable construction, and easy service access. Designed to maintain clean visual lines while supporting frequent plenum entry, it offers long-term stability, acoustic enhancement options, and compatibility with a wide range of finishes and materials.

- **Downward-hinging access** — Panels open smoothly for maintenance without removal.
- **Secure, concealed suspension** — Torsion springs lock panels in place for a clean, uninterrupted appearance.
- **Material versatility** — Works with aluminum, steel, stainless steel, PET felt, and acoustical panel options.
- **Consistent alignment** — CNC-fabricated components ensure tight joints and uniform panel spacing.

MATERIAL COMPOSITION

- **Material: Aluminum, Stainless Steel, or Steel**
- **Recycled Content: Up to 60% post-consumer**
- **Thickness Options: 0.032"-0.063"**
- **VOC Emissions: Low-VOC, indoor air quality compliant**
- **Fire Performance: Class A (ASTM E84), when applicable**

APPLICATIONS

- **Open-plan Offices**
- **Conference and Collaboration Spaces**
- **Lobbies and Reception Areas**
- **Classrooms and Lecture Halls**
- **Libraries**
- **Restaurants and Hospitality Spaces**
- **Transit and public interiors and exterior spaces**

SUSTAINABILITY

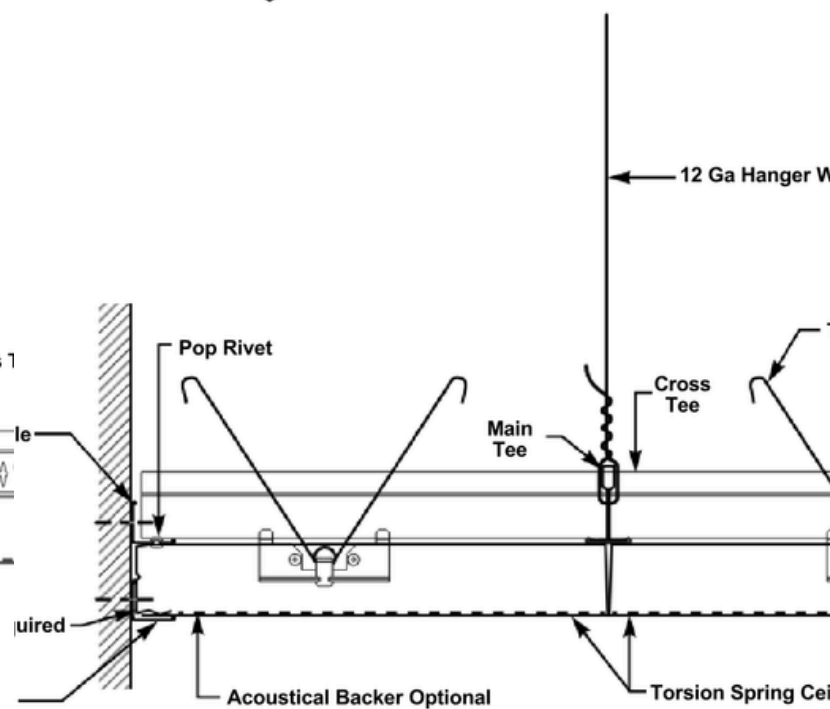
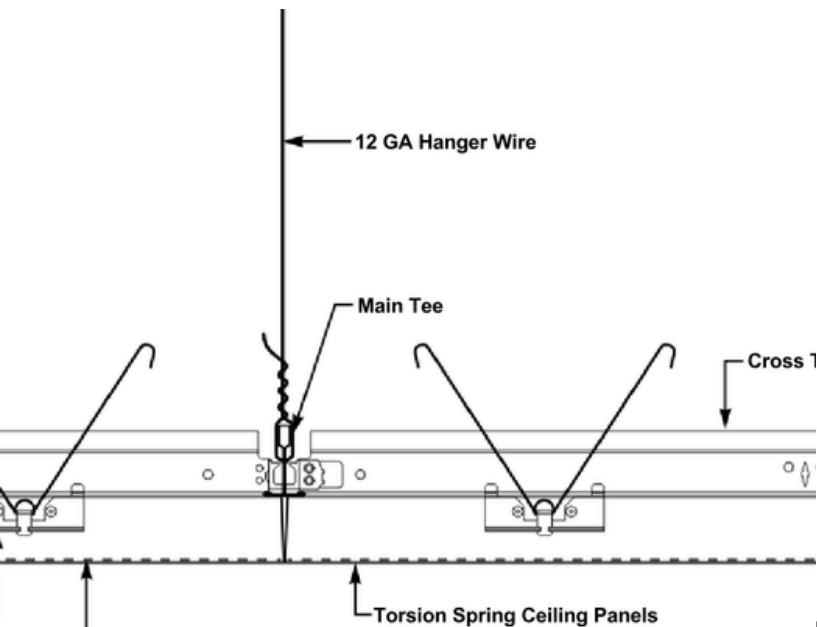
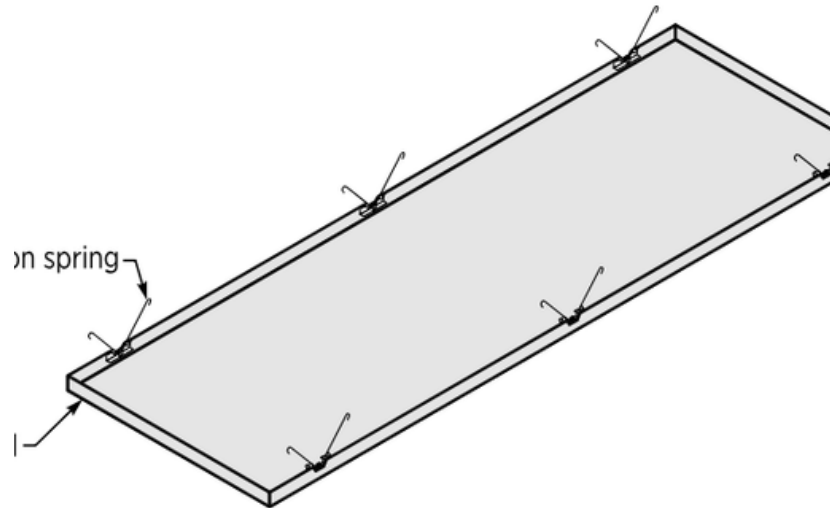
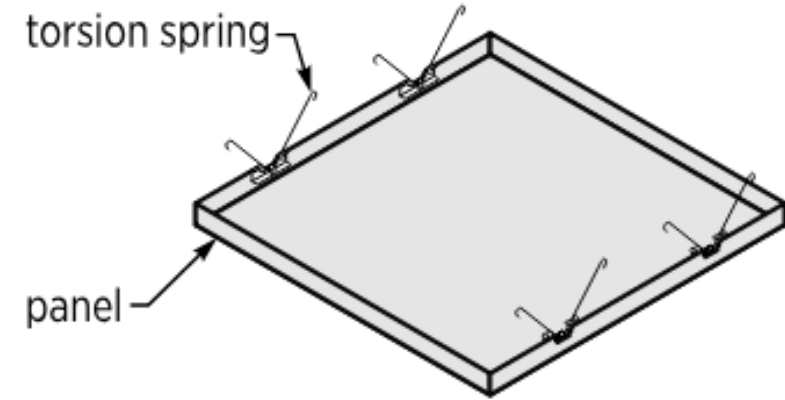
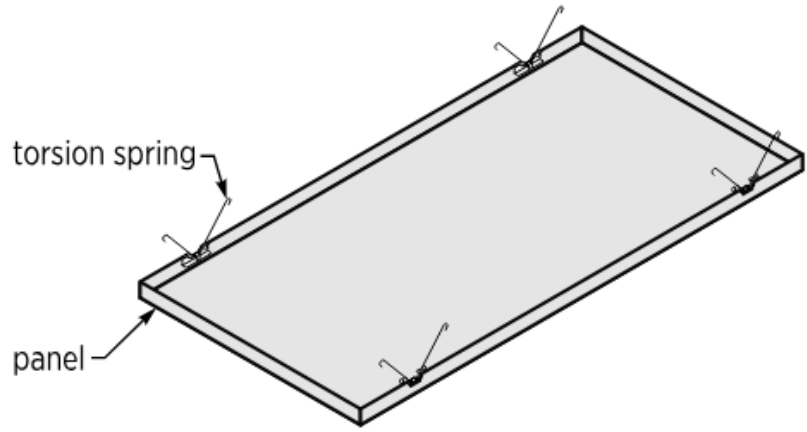
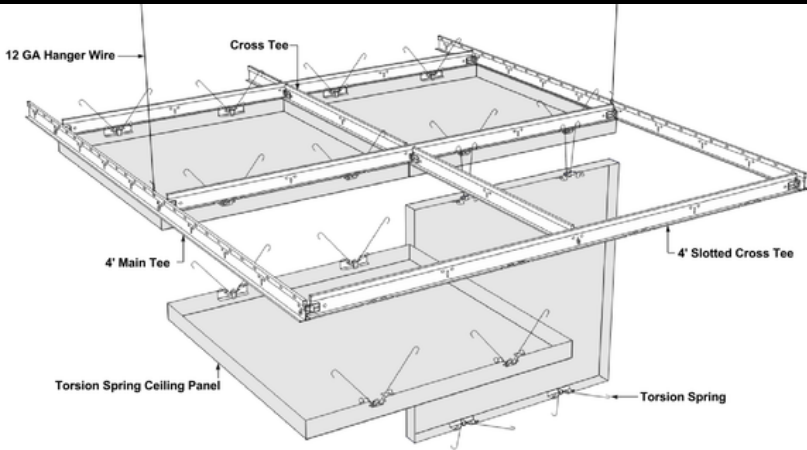
Xpressive™ Torsion Spring Ceiling System support sustainable building initiatives and contribute toward LEED and WELL Building Standard goals.

- Made from Aluminum, Stainless Steel and Steel
- Lightweight for reduced transportation impact
- Long lifecycle with minimal maintenance



WHY XPRESSIVE™

Xpressive Torsion Spring Ceiling Panels deliver a sleek, modern look with the dependable accessibility today's interiors demand. Engineered for precision and crafted for long-term performance, they combine clean architectural lines, durable materials, and effortless downward-hinging access—making them a smart, stylish choice for any high-functioning space.



DIAMOND T MANUFACTURING, INC.

YOUR PARTNER IN ARCHITECTURAL METAL & ACOUSTICAL SOLUTIONS

Since 2013, Diamond T Manufacturing, Inc. (DTMI) has been a trusted leader in architectural metals fabrication and acoustical design solutions. We specialize in creating custom products that elevate spaces with unmatched design, aesthetics, acoustical performance, and decorative appeal.

Our Expertise Includes:

- Architectural Metal Products
- Acoustical Metal Ceilings
- Metal Wall Panels
- Column Covers
- Acoustical Solutions with PET Felt & Fabric
- Felt Ceiling Baffles
- Wall Panels / V-Groove Carving Panels
- Ceiling Pods / Acoustical Shapes
- Fabric-Wrapped Wall Panels
- Sound Absorbing Products

At DTMI, we combine precision craftsmanship with innovative design to deliver tailored solutions for architects, designers, and builders. Whether you need standard products or fully customized architectural elements, we have the experience and capability to bring your vision to life.

Why Choose Diamond T?

- ✓ Over a decade of proven expertise
- ✓ Custom fabrication for unique projects
- ✓ Commitment to quality and performance
- ✓ Solutions that blend beauty with functionality

TRANSFORM YOUR SPACE WITH DTMI'S ARCHITECTURAL AND ACOUSTICAL PRODUCTS. LET'S CREATE SOMETHING EXTRAORDINARY TOGETHER.



Diamond T Manufacturing, Inc
Jamie Eason
770-900-2585
Jamieeason@diamondtmanufacturing.com
www.diamondtmanufacturing.com