



EROAD

CoreHub

Not your average telematics

CoreHub is the future of fleet management, where all your vehicles and assets are on a single platform.

Sitting discreetly inside the cab, the device collects data directly from your engine management system and a series of wireless sensors, transforming your vehicle into an IoT hub to make guessing a thing of the past.

Powering the right decisions

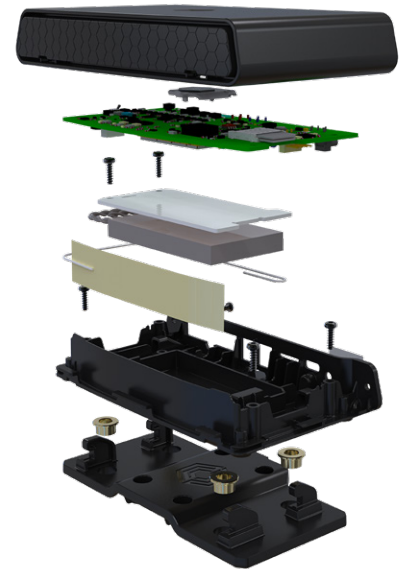
CoreHub is an integrated, extensible gateway assurance device that enables drivers and operators to pull critical insights from vehicle fault codes, idling data, GPS tracking, ELD compliance, and more. For advanced control, easily connect wireless sensors to track when doors open, power take off, lift arm operations, the number of concrete drum rotations, water moister levels and more. Transform your fleet intelligence, lower operational costs, improve safety and compliance, and delight your customers.

Easy installation

CoreHub has been designed with maximum uptime in mind. Compact in size, it will most mount anywhere in your cab. It's easy and affordable to install and comes with full support. Simply connect to power and if applicable, a sensor network wirelessly through Bluetooth Low Energy (BLE) connections.

Designed to grow with you

Every modern advancement has been applied to keep your fleet running smoothly. CoreHub easily scales from light to heavy-duty vehicles. System upgrades are delivered wirelessly to ensure you continue to run the latest versions, and all new device releases maintain compatibility. Add wireless sensors, an ELD, a dashcam, and more for broader fleet management options when you want to.



Always in the know

With more than five types of sensors, know what's happening with every vehicle, asset, and load. Anytime, anywhere.



Extreme accuracy

With a 3-axis accelerometer, every speed and direction is tracked with such precision, even your most seasoned drivers will trust it.



Backed by experience

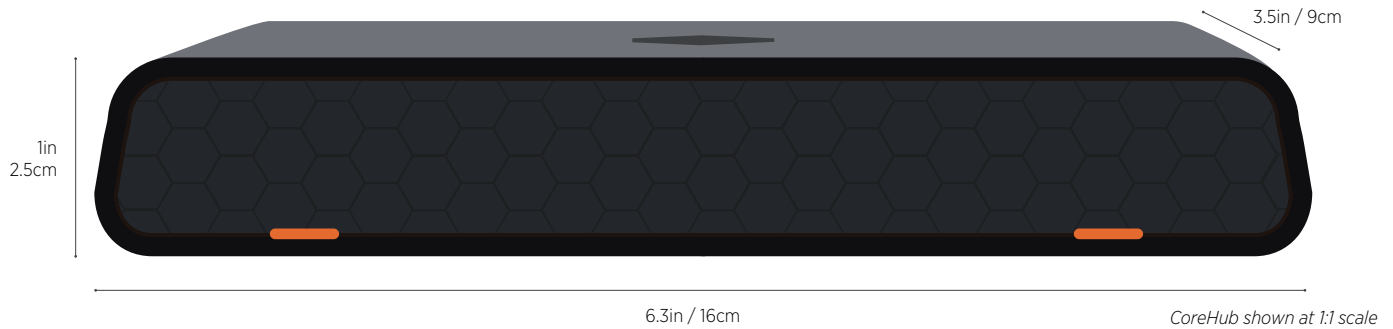
Made from 20 years of knowledge gained from tracking every vehicle, analyzing trips, and listening to every customer.



A single Platform

A flexible device that can connect to wireless sensors and enables ELD, DVIR, and more to streamline safety, compliance, and operational performance.

COREHUB SPECIFICATIONS



Network Connectivity

Cellular	4G LTE, 3G/2G fallback
WiFi	2.4 & 5Ghz (802.11 a/b/g/n) 150Mbps
Bluetooth	Classic + BLE 4.2 (host & client)
SIM Card	Dual SIM support
Supports 3GPP	E-UTRA Release 10
Data Security and Encryption	TLS encryption using the MQTT protocol between Corehub and Microsoft Azure IoT Hub
Reporting Time	Every 2 minutes or every 1.2 miles traveled

GPS

GPS Receiver	GPS BEIDOU Glonass Galileo
---------------------	-------------------------------------

Physical

Dimensions	6.3 x 3.5 x 1in 16 x 9 x 2.5cm
Weight	0.5lb - 0.8lb / 250 - 400g
Color	Black

Power

Full power draw	12V 0.5 amp 24V 0.25 amp
Low Power Mode	Yes
Battery	Lithium Ion Rechargeable battery Energy harvesting capability Energy harvesting management Unplug alerts

Storage

RAM	2GB
Flash	16GB
Optional	SD Card

Environmental

Temperature	-40° to +140° F
--------------------	-----------------

Sensor Compatibility

Fuel Sensor (BLE)	Temperature Sensor (BLE)
Door Sensor (BLE)	Accelerometer Sensor (BLE)
WiFi Camera (WiFi)/USB	Tire Pressure Sensor (BLE)
Humidity Sensor (BLE)	Rotation Sensor (BLE)
Wireless Display (WiFi)	

Accelerometer

Axis	3-Axis
G-Force Range	1 - 4G
Magnetometer	3-Axis

General

OS	Android 7.1
Memory	16GB EMMC 2GB LPDDR3
CPU	Quad-core A7 1.1

Wired IO

RS232	2
GPIO	7
ADC	7
USB	Host & Client
Wired Display	USB
CAN	2
J1708	1

Connectors

Power Connector	24-pin Connector OBDII J1939 (9 pin) J1708 (7 pin)
CAN Bus	Light vehicle J1960/OBDII Heavy vehicle J1939/J1708

See TroyFinancialSolutions.com or call 615-403-8769 for more information. (Click for Demo)