

DIAMOND KOTE®

Building Products



2023 PRODUCT GUIDE

SIDING DESIGNED WITH THE INSTALLER IN MIND

diamondkotesiding.com

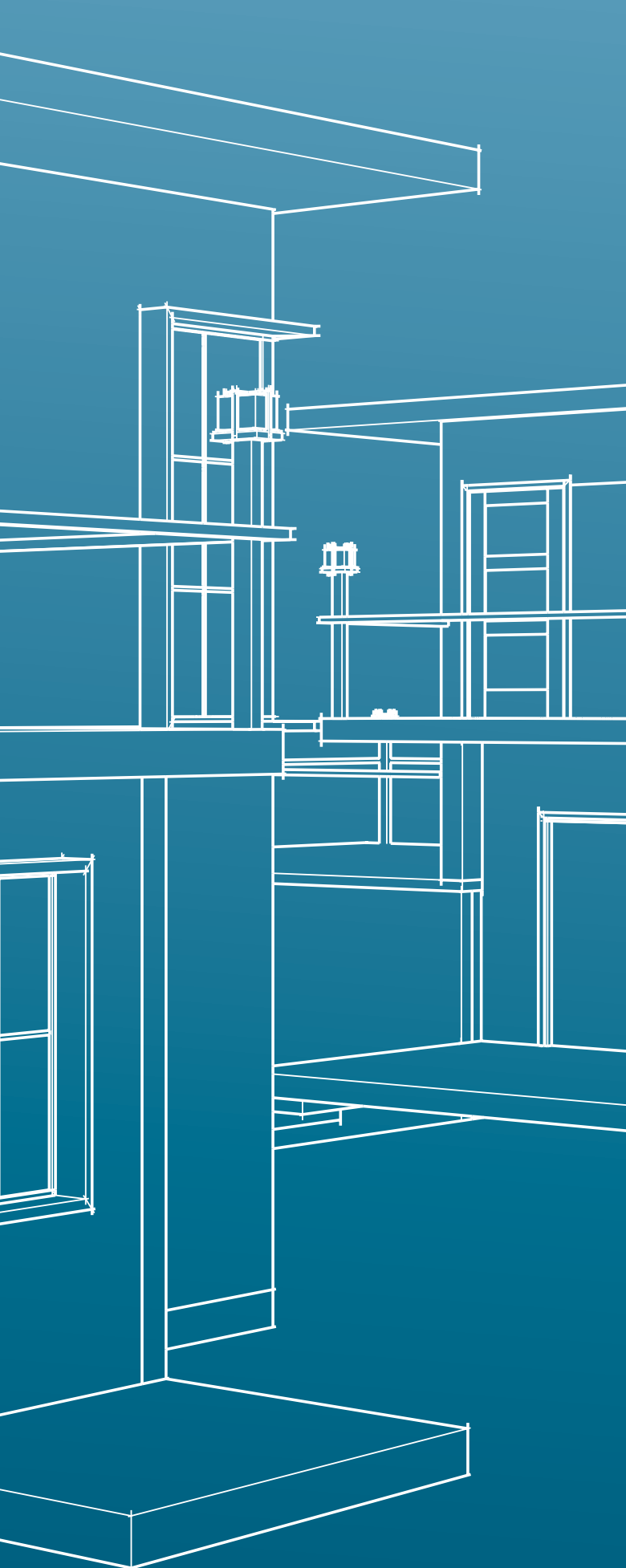


TABLE OF CONTENTS

LAP SIDING

6".....	4
8".....	4

LAP SIDING WITH RIGIDSTACK™

6".....	5
8".....	5
12".....	5

VERTICAL SIDING

12".....	6
16".....	6
3" Batten Trim.....	6

NO GROOVE PANEL

4x8 - 3/8".....	7
4x9 - 3/8".....	7
4x10 - 3/8".....	7

GROOVED PANEL

4x8 8" OC - 3/8".....	8
4x9 8" OC - 3/8".....	8
4x10 8" OC - 3/8".....	8
4x8 8" OC - 7/16".....	9
4x9 8" OC - 7/16".....	9
4x10 8" OC - 7/16".....	9
4x8 4" OC - 7/16".....	10
4x9 4" OC - 7/16".....	10

SHAKE SIDING

12" Scallop Shake.....	11
12" Octagon Shake.....	11

SHAKE SIDING WITH RIGIDSTACK™

7" Staggered.....	12
9" Staggered.....	12
12" Staggered.....	12
7" Straight.....	13
9" Straight.....	13
12" Straight.....	13

NAIL FIN CORNERS

5/4 x 4" Outside Corner - 10'.....	14
5/4 x 4" Outside Corner - 16'.....	14
5/4 x 6" Outside Corner - 10'.....	15
5/4 x 6" Outside Corner - 16'.....	15
5/4 x 3" Inside Corner - 10'.....	15

INDIVIDUAL OUTSIDE CORNERS

6" Horizontal.....	16
8" Horizontal.....	16
12" Horizontal.....	16

INDIVIDUAL OUTSIDE CORNERS

7" Vertical	17
9" Vertical	17
12" Vertical	17

NAIL FIN TRIM

5/4 x 4"	18
5/4 x 6"	18
Trim Clip	18

STANDARD TRIM

5/4 x 2"	19
5/4 x 3"	19
5/4 x 4"	19
5/4 x 6"	20
5/4 x 8"	20
5/4 x 10"	20
5/4 x 12"	21
4/4 x 2"	21
4/4 x 3"	21
4/4 x 4"	22
4/4 x 6"	22
4/4 x 8"	22
4/4 x 10"	23
4/4 x 12"	23

ARCH TRIM

4"	24
6"	24

KEYSTONES

4"	25
6"	25

PRO-POST WRAP™

4" x 4"	26
4" x 6"	26
6" x 6"	26

SOFFIT & FASCIA

8" Plowed Fascia	27
4x8 No Groove Soffit	27
10' Soffit Channel	27
12" Vented Soffit	28
16" Vented Soffit	28
24" Vented Soffit	28
12" Solid Soffit	29
16" Solid Soffit	29
24" Solid Soffit	29

FLASHINGS

Diverter	30
Drip Cap	30
Spacer	30
Brick Ledge	31
Z-Flashing	31
J-Channel	32
Trim Coil	32

H-MOLDING

5"	33
7"	33
11"	33

RIGIDMOUNT™ BLOCKS

Universal	34
Blank Universal	34
UL Electrical	35
Receptacle	35
Oversized	36
Split	36
Personalized	37
Blank Horizontal	37

STARTER OPTIONS

Metal Starter Strip	38
8" Solid Starter Board	38
8" DuoBlend Starter Board	38

FASTENERS

1-3/4" Ring Shank Hand Drive Nails	39
2-1/2" Painted Nails	39
Cortex Screw & Plugs For PVC	39

ADDITIONAL PRODUCTS

Moisture Management System	40
Touch-Up	40
Color Availability	41

6" LAP SIDING - 3/8"

Function: Textured Lap Siding

Part Description: 3/8x6 Precision Series Lap

ACTUAL DIMENSIONS

Exposure: Variable
 Overlap:
 Min 1" - Max 2"
 Pieces per square:
 15.38 pc (1" Over Lap)
 Length: 16'
 Width: 5.84"
 Height: N/A
 Min. Thickness: 0.315"

COLOR AVAILABILITY

Solid

CONSTRUCTION

Substrate: Strand
 LP® SmartSide®
 Finish: Diamond Kote®

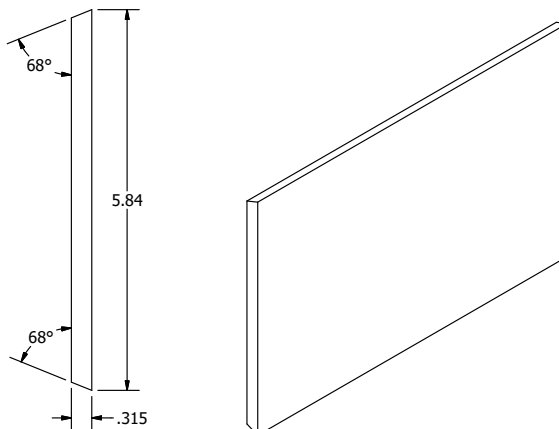
WEIGHT

Per Piece: 11.31 lbs.
 Per Bundle: 45.24 lbs.
 Per Pallet: 1900 lbs.

PACKAGING

Per Bundle: 4
 Per Pallet: 168

DRAWINGS SHOW ACTUAL DIMENSIONS



8" LAP SIDING - 3/8"

Function: Textured Lap Siding

Part Description: 3/8x8 Precision Series Lap

ACTUAL DIMENSIONS

Exposure: Variable
 Overlap:
 Min 1" - Max 2"
 Pieces per square:
 10.90 pc (1" Over Lap)
 Length: 16'
 Width: 7.84"
 Height: N/A
 Min. Thickness: 0.315"

COLOR AVAILABILITY

Solid

CONSTRUCTION

Substrate: Strand
 LP® SmartSide®
 Finish: Diamond Kote®
 Other: N/A

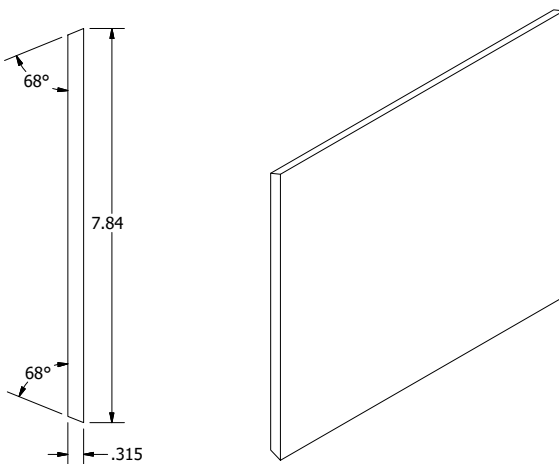
WEIGHT

Per Piece: 14.21 lbs.
 Per Bundle: 56.84 lbs.
 Per Pallet: 1989 lbs.

PACKAGING

Per Bundle: 4
 Per Pallet: 140

DRAWINGS SHOW ACTUAL DIMENSIONS



6" LAP SIDING WITH RIGIDSTACK™

Function: Stackable Textured Lap Siding
 Part Description: 3/8x6 RigidStack

ACTUAL DIMENSIONS

Exposure: 4.75"
 Overlap: 1-1/8"
 Pieces per square: 15.78
 Length: 16'
 Width: 5.84"
 Height: N/A
 Min. Thickness: 0.315"

COLOR AVAILABILITY

Solid and DuoBlend Premium

CONSTRUCTION

Substrate: Strand
 LP® SmartSide®
 Finish: Diamond Kote®
 Other: Plastic

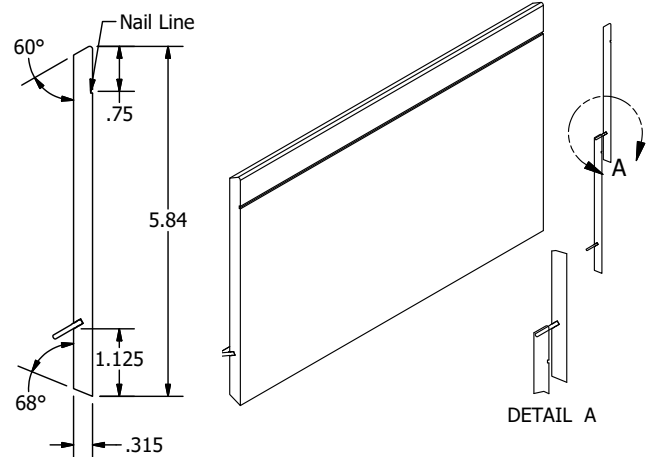
WEIGHT

Per Piece: 11.49 lbs.
 Per Bundle: 45.96 lbs.
 Per Pallet: 1930.32 lbs.

PACKAGING

Per Bundle: 4
 Per Pallet: 168

DRAWINGS SHOW ACTUAL DIMENSIONS



8" LAP SIDING WITH RIGIDSTACK™

Function: Stackable Textured Lap Siding
 Part Description: 3/8x8 RigidStack

ACTUAL DIMENSIONS

Exposure: 6.75"
 Overlap: 1-1/8"
 Pieces per square: 11.11
 Length: 16'
 Width: 7.84"
 Height: N/A
 Min. Thickness: 0.315"

COLOR AVAILABILITY

Solid and DuoBlend Premium

CONSTRUCTION

Substrate: Strand
 LP® SmartSide®
 Finish: Diamond Kote®
 Other: Plastic

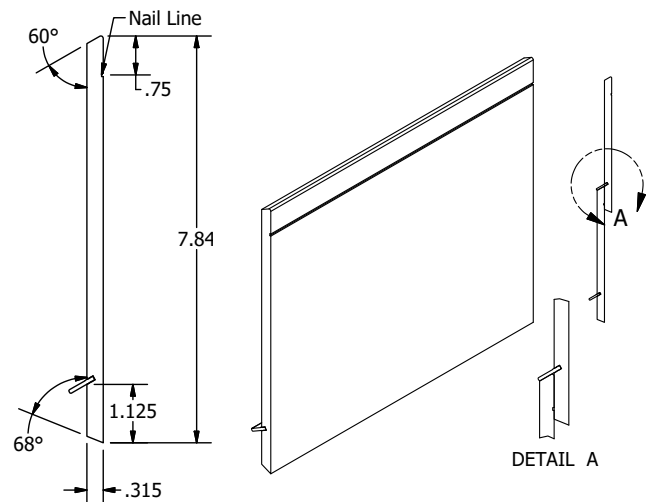
WEIGHT

Per Piece: 15.43 lbs.
 Per Bundle: 61.72 lbs.
 Per Pallet: 2160.2 lbs.

PACKAGING

Per Bundle: 4
 Per Pallet: 140

DRAWINGS SHOW ACTUAL DIMENSIONS



12" LAP SIDING WITH RIGIDSTACK™

Function: Stackable Textured Lap Siding
 Part Description: 3/8x12 RigidStack

ACTUAL DIMENSIONS

Exposure: 10.75"
 Overlap: 1-1/8"
 Pieces per square: 6.97
 Length: 16'
 Width: 11.84"
 Height: N/A
 Min. Thickness: 0.315"

COLOR AVAILABILITY

Solid and DuoBlend Premium

CONSTRUCTION

Substrate: Strand
 LP® SmartSide®
 Finish: Diamond Kote®
 Other: Plastic

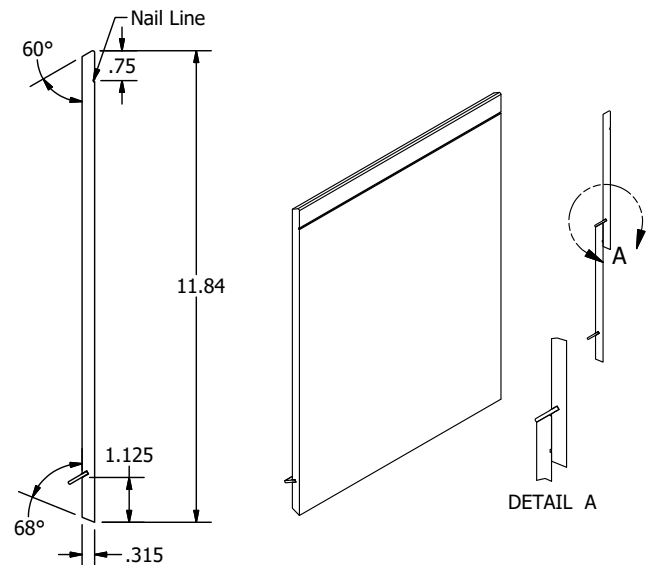
WEIGHT

Per Piece: 20.67 lbs.
 Per Bundle: 82.68 lbs.
 Per Pallet: 1736.28 lbs.

PACKAGING

Per Bundle: 4
 Per Pallet: 84

DRAWINGS SHOW ACTUAL DIMENSIONS



12" VERTICAL SIDING

DRAWINGS SHOW ACTUAL DIMENSIONS

Function: Base panel for Vertical Board and Batten

Part Description: 12"x16' 3/8" Vertical Panel

ACTUAL DIMENSIONS

Exposure: 10-3/4"
(Between Battens)
Overlap: 2.5" Minimum (On
Batten Trim)
Pieces per square: 6.32
Length: 16'
Width: 11.84"
Height: N/A
Min. Thickness: 0.315"

CONSTRUCTION

Substrate: Strand
LP® SmartSide®
Finish: Diamond Kote®
Other: N/A

WEIGHT

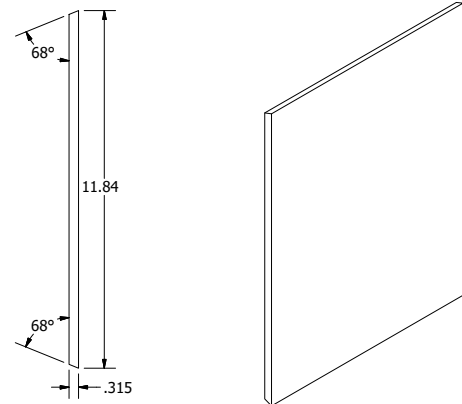
Per Piece: 20.67 lbs.
Per Bundle: 81.4 lbs.
Per Pallet: 1736 lbs.

COLOR AVAILABILITY

Solid and DuoBlend Premium

PACKAGING

Per Bundle: 4
Per Pallet: 84



16" VERTICAL SIDING

DRAWINGS SHOW ACTUAL DIMENSIONS

Function: Base panel for Vertical Board and Batten; Board on board installations

Part Description: 16"x16' 3/8" Vertical Panel

ACTUAL DIMENSIONS

Exposure: 13.25"
(Between Battens)
Overlap: 2.5" Minimum (On
Batten Trim)
Pieces per square: 4.68
Length: 16'
Width: 15.94"
Height: N/A
Min. Thickness: 0.315"

CONSTRUCTION

Substrate: Strand
LP® SmartSide®
Finish: Diamond Kote®
Other: N/A

WEIGHT

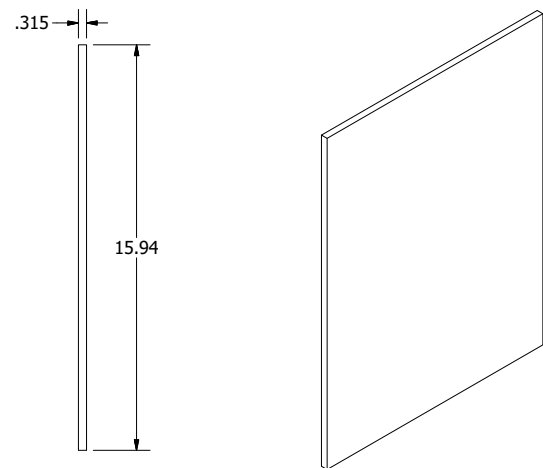
Per Piece: 27.72 lbs.
Per Bundle: 27.72 lbs.
Per Pallet: 1830 lbs.

COLOR AVAILABILITY

Solid and DuoBlend Premium

PACKAGING

Per Bundle: 1 Each
Per Pallet: 66



3" BATTEN TRIM

DRAWINGS SHOW ACTUAL DIMENSIONS

Function: Textured trim board used to accent any substrate

Part Description: 19/32"x3"x16' Standard Trim Cedar

ACTUAL DIMENSIONS

Exposure: N/A
Overlap: N/A
Pieces per square: N/A
Length: 16'
Width: 2.5"
Height: N/A
Min. Thickness: 0.53"

CONSTRUCTION

Substrate: Strand
LP® SmartSide®
Finish: Diamond Kote®
Other: N/A

WEIGHT

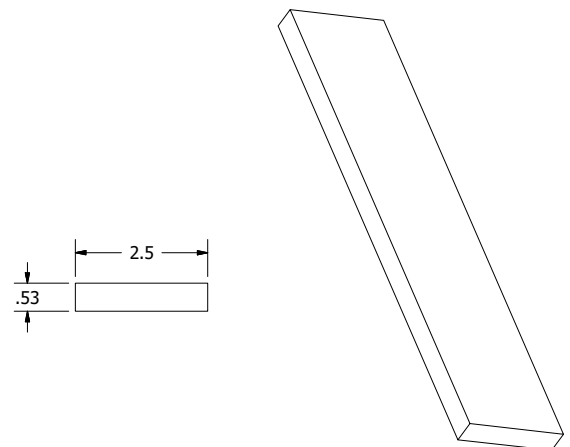
Per Piece: 6.29 lbs.
Per Bundle: 25.19 lbs.
Per Pallet: 880.6 lbs.

COLOR AVAILABILITY

Solid and DuoBlend Premium

PACKAGING

Per Bundle: 4
Per Pallet: 140



4X8 NO GROOVE PANEL - 3/8"

DRAWINGS SHOW ACTUAL DIMENSIONS

Function: Board & Patten Panel; Exterior Siding

Part Description: 4x8 3/8" NGSL Cedar Panel

ACTUAL DIMENSIONS

Exposure: 48"

Overlap: 0.563"

Pieces per square: 3.125

Length: 96"

Width: 48.563"

Height: N/A

Min. Thickness: 0.315"

COLOR AVAILABILITY

Solid and DuoBlend Premium

CONSTRUCTION

Substrate: Strand

LP® SmartSide®

Finish: Diamond Kote®

Other: N/A

WEIGHT

Per Piece: 43.68 lbs.

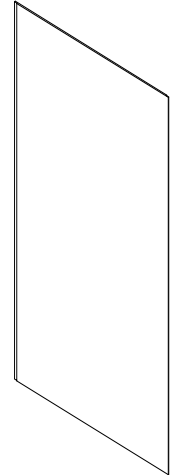
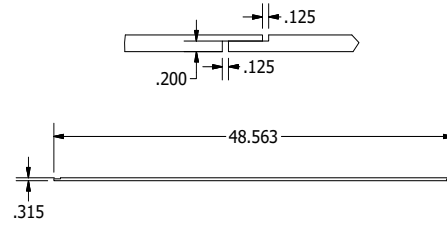
Per Bundle: N/A

Per Pallet: 1966 lbs.

PACKAGING

Per Bundle: 1 Each

Per Pallet: 45

**4X9 NO GROOVE PANEL - 3/8"**

DRAWINGS SHOW ACTUAL DIMENSIONS

Function: Board & Patten Panel; Exterior Siding

Part Description: 4x9 3/8" NGSL Cedar Panel

ACTUAL DIMENSIONS

Exposure: 48"

Overlap: 0.563"

Pieces per square: 2.77

Length: 108"

Width: 48.563"

Height: N/A

Min. Thickness: 0.315"

COLOR AVAILABILITY

Solid and DuoBlend Premium

CONSTRUCTION

Substrate: Strand

LP® SmartSide®

Finish: Diamond Kote®

Other: N/A

WEIGHT

Per Piece: 46.71 lbs.

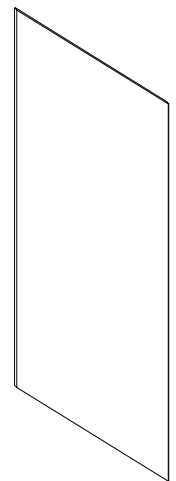
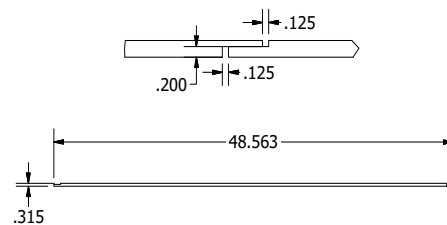
Per Bundle: N/A

Per Pallet: 2102 lbs.

PACKAGING

Per Bundle: 1 Each

Per Pallet: 45

**4X10 NO GROOVE PANEL - 3/8"**

DRAWINGS SHOW ACTUAL DIMENSIONS

Function: Board & Patten Panel; Exterior Siding

Part Description: 4x10 3/8" NGSL Cedar Panel

ACTUAL DIMENSIONS

Exposure: 48"

Overlap: 0.563"

Pieces per square: 2.5

Length: 120"

Width: 48.563"

Height: N/A

Min. Thickness: 0.315"

COLOR AVAILABILITY

Solid and DuoBlend Premium

CONSTRUCTION

Substrate: Strand

LP® SmartSide®

Finish: Diamond Kote®

Other: N/A

WEIGHT

Per Piece: 51.28 lbs.

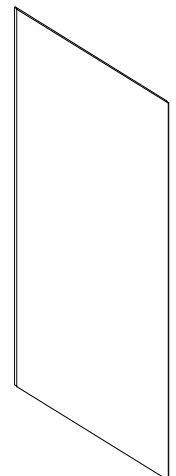
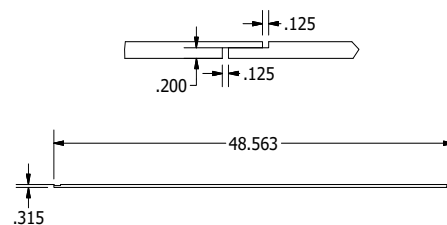
Per Bundle: N/A

Per Pallet: 2308 lbs.

PACKAGING

Per Bundle: 1 Each

Per Pallet: 45



GROOVED PANEL

4X8 8" OC GROOVED PANEL - 3/8"

DRAWINGS SHOW ACTUAL DIMENSIONS

Function: Exterior Siding

Part Description: 4x8 3/8" 8" OC Smart Pan Cedar

ACTUAL DIMENSIONS

Exposure: 48"

Overlap: 0.563"

Pieces per square: 3.125

Length: 96"

Width: 48.563"

Height: N/A

Min. Thickness: 0.315"

COLOR AVAILABILITY

Solid and DuoBlend Premium

CONSTRUCTION

Substrate: Strand

LP® SmartSide®

Finish: Diamond Kote®

Other: N/A

WEIGHT

Per Piece: 40.78 lbs.

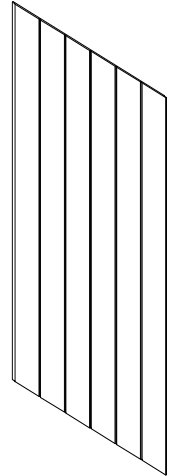
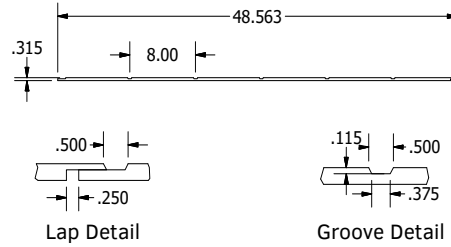
Per Bundle: N/A lbs.

Per Pallet: 1835 lbs.

PACKAGING

Per Bundle: 1 Each

Per Pallet: 45



4X9 8" OC GROOVED PANEL - 3/8"

DRAWINGS SHOW ACTUAL DIMENSIONS

Function: Exterior Siding

Part Description: 4x9 3/8" 8" OC Smart Pan Cedar

ACTUAL DIMENSIONS

Exposure: 48"

Overlap: 0.563"

Pieces per square: 2.77

Length: 108"

Width: 48.563"

Height: N/A

Min. Thickness: 0.315"

COLOR AVAILABILITY

Solid and DuoBlend Premium

CONSTRUCTION

Substrate: Strand

LP® SmartSide®

Finish: Diamond Kote®

Other: N/A

WEIGHT

Per Piece: 44.22 lbs.

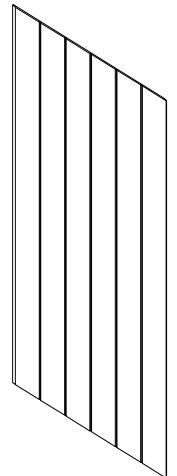
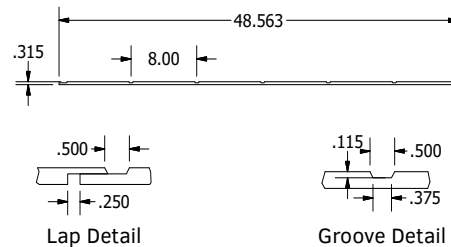
Per Bundle: N/A

Per Pallet: 1990 lbs.

PACKAGING

Per Bundle: 1 Each

Per Pallet: 45



4X10 8" OC GROOVED PANEL - 3/8"

DRAWINGS SHOW ACTUAL DIMENSIONS

Function: Exterior Siding

Part Description: 4x10 3/8" 8" OC Smart Pan Cedar

ACTUAL DIMENSIONS

Exposure: 48"

Overlap: 0.563"

Pieces per square: 2.5

Length: 120"

Width: 48.563"

Height: N/A

Min. Thickness: 0.315"

COLOR AVAILABILITY

Solid and DuoBlend Premium

CONSTRUCTION

Substrate: Strand

LP® SmartSide®

Finish: Diamond Kote®

Other: N/A

WEIGHT

Per Piece: 51 lbs.

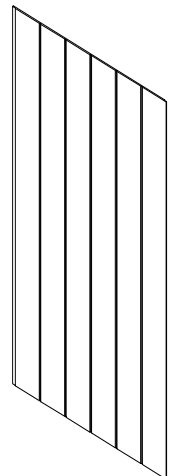
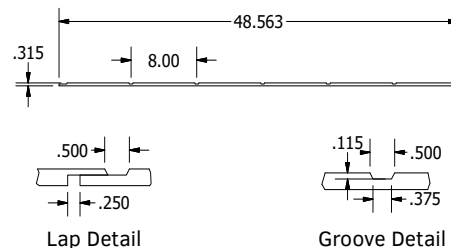
Per Bundle: N/A

Per Pallet: 2295 lbs.

PACKAGING

Per Bundle: 1 Each

Per Pallet: 45



4X8 8" OC GROOVED PANEL - 7/16"

DRAWINGS SHOW ACTUAL DIMENSIONS

Function: Exterior Siding

Part Description: 4x8 7/16" 8" OC Smart Pan Cedar

ACTUAL DIMENSIONS

Exposure: 48"
 Overlap: 0.563"
 Pieces per square: 3.125
 Length: 96"
 Width: 48.563"
 Height: N/A
 Min. Thickness: 0.375"

CONSTRUCTION

Substrate: Strand
 LP® SmartSide®
 Finish: Diamond Kote®
 Other: N/A

WEIGHT

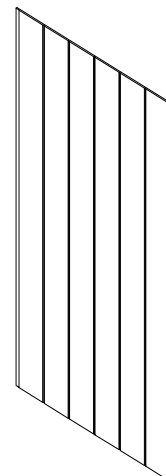
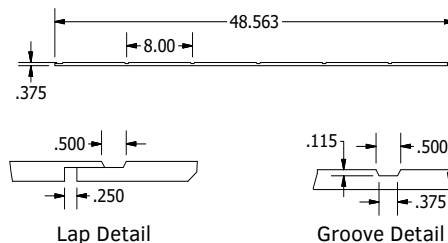
Per Piece: 45.38 lbs.
 Per Bundle: N/A
 Per Pallet: 1815.2 lbs.

PACKAGING

Per Bundle: 1 Each
 Per Pallet: 40

COLOR AVAILABILITY

Solid and DuoBlend Premium



4X9 8" OC GROOVED PANEL - 7/16"

DRAWINGS SHOW ACTUAL DIMENSIONS

Function: Exterior Siding

Part Description: 4x9 7/16" 8" OC Smart Pan Cedar

ACTUAL DIMENSIONS

Exposure: 48"
 Overlap: 0.563"
 Pieces per square: 2.77
 Length: 108"
 Width: 48.563"
 Height: N/A
 Min. Thickness: 0.375"

CONSTRUCTION

Substrate: Strand
 LP® SmartSide®
 Finish: Diamond Kote®
 Other: N/A

WEIGHT

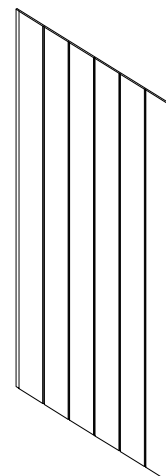
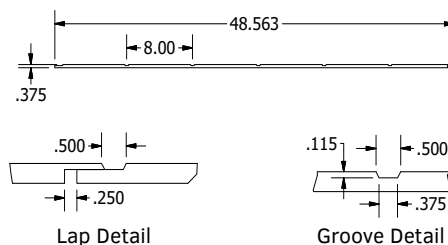
Per Piece: 51.13 lbs.
 Per Bundle: N/A
 Per Pallet: 2045 lbs.

PACKAGING

Per Bundle: 1 Each
 Per Pallet: 40

COLOR AVAILABILITY

Solid and DuoBlend Premium



4X10 8" OC GROOVED PANEL - 7/16"

DRAWINGS SHOW ACTUAL DIMENSIONS

Function: Exterior Siding

Part Description: 4x10 7/16" 8" OC Smart Pan Cedar

ACTUAL DIMENSIONS

Exposure: 48"
 Overlap: 0.563"
 Pieces per square: 2.5
 Length: 120"
 Width: 48.563"
 Height: N/A
 Min. Thickness: 0.375"

CONSTRUCTION

Substrate: Strand
 LP® SmartSide®
 Finish: Diamond Kote®
 Other: N/A

WEIGHT

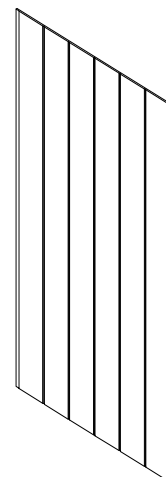
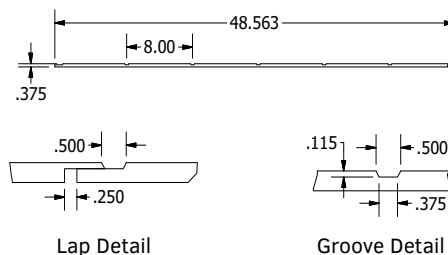
Per Piece: 56.93 lbs.
 Per Bundle: N/A
 Per Pallet: 2277.2 lbs.

PACKAGING

Per Bundle: 1 Each
 Per Pallet: 40

COLOR AVAILABILITY

Solid and DuoBlend Premium



GROOVED PANEL

4X8 4" OC GROOVED PANEL - 7/16"

DRAWINGS SHOW ACTUAL DIMENSIONS

Function: Exterior Siding

Part Description: 4x8 7/16" 4" OC Smart Pan

ACTUAL DIMENSIONS

Exposure: 48"

Overlap: 0.563"

Pieces per square: 3.125

Length: 96"

Width: 48.563"

Height: N/A

Min. Thickness: 0.375"

COLOR AVAILABILITY

Solid and DuoBlend Premium

CONSTRUCTION

Substrate: Strand

LP® SmartSide®

Finish: Diamond Kote®

Other: N/A

WEIGHT

Per Piece: 46.67 lbs.

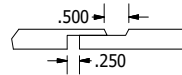
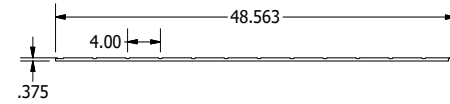
Per Bundle: N/A

Per Pallet: 1867 lbs.

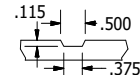
PACKAGING

Per Bundle: 1 Each

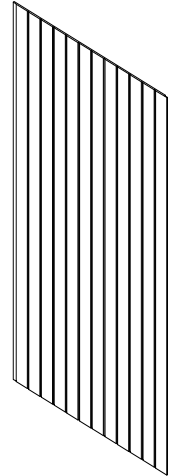
Per Pallet: 40



Lap Detail



Groove Detail



4X9 4" OC GROOVED PANEL - 7/16"

DRAWINGS SHOW ACTUAL DIMENSIONS

Function: Exterior Siding

Part Description: 4x9 7/16" 4" OC Smart Pan Cedar

ACTUAL DIMENSIONS

Exposure: 48"

Overlap: 0.563"

Pieces per square: 2.77

Length: 108"

Width: 48.563"

Height: N/A

Min. Thickness: 0.375"

COLOR AVAILABILITY

Solid and DuoBlend Premium

CONSTRUCTION

Substrate: Strand

LP® SmartSide®

Finish: Diamond Kote®

Other: N/A

WEIGHT

Per Piece: 51.67 lbs.

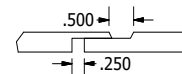
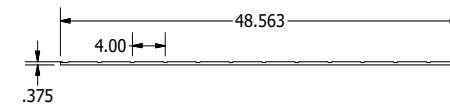
Per Bundle: N/A

Per Pallet: 2067 lbs.

PACKAGING

Per Bundle: 1 Each

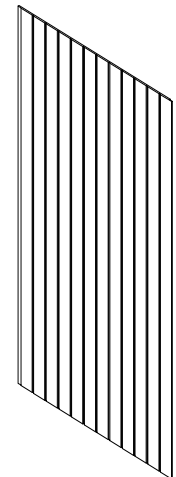
Per Pallet: 40



Lap Detail



Groove Detail



12" SCALLOP SHAKE

Function: Textured Shape Siding

Part Description: Scallop

ACTUAL DIMENSIONS

Exposure: 7.75"

Overlap: 4"

Pieces per square: 39

Length: 48"

Width: 11.77"

Height: N/A

Min. Thickness: 0.315"

COLOR AVAILABILITY

Solid and DuoBlend Premium

CONSTRUCTION

Substrate: Strand

LP® SmartSide®

Finish: Diamond Kote®

Other: N/A

WEIGHT

Per Piece: 4.6 lbs.

Per Bundle: 21.8 lbs.

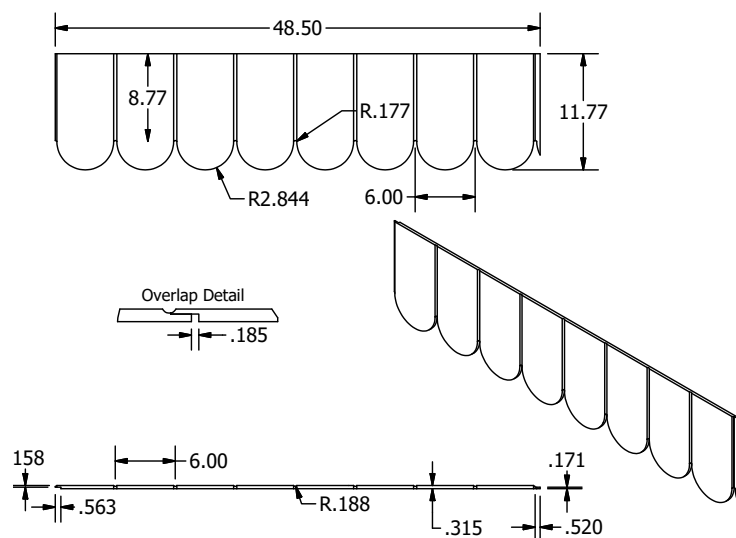
Per Pallet: 662 lbs.

PACKAGING

Per Bundle: 4

Per Pallet: 144

DRAWINGS SHOW ACTUAL DIMENSIONS



12" OCTAGON SHAKE

Function: Textured Shape Siding

Part Description: Octagon

ACTUAL DIMENSIONS

Exposure: 9.625"

Overlap: 2.125"

Pieces per square: 31.16

Length: 48"

Width: 11.77"

Height: N/A

Min. Thickness: 0.315"

COLOR AVAILABILITY

Solid and DuoBlend Premium

CONSTRUCTION

Substrate: Strand

LP® SmartSide®

Finish: Diamond Kote®

Other: N/A

WEIGHT

Per Piece: 4.8 lbs.

Per Bundle: 22 lbs.

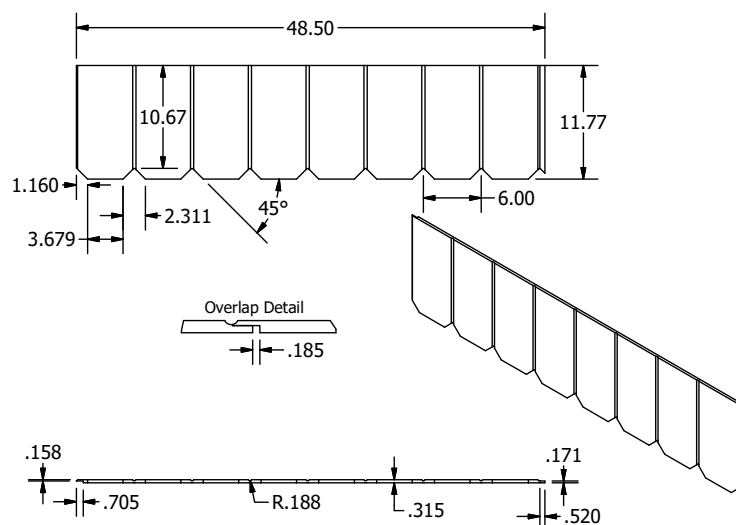
Per Pallet: 691 lbs.

PACKAGING

Per Bundle: 4

Per Pallet: 144

DRAWINGS SHOW ACTUAL DIMENSIONS



7" STAGGERED EDGE SHAKE WITH RIGIDSTACK™

DRAWINGS SHOW ACTUAL DIMENSIONS

Function: Textured Shake Siding
 Part Description: RS 7" Stag Shake Ced 7x48

ACTUAL DIMENSIONS

Exposure: 4.875"
 Overlap: 2.125"
 Pieces per square: 61.53
 Length: 48"
 Width: 7"
 Height: N/A
 Min. Thickness: 0.315"

COLOR AVAILABILITY
 Solid and DuoBlend Premium

CONSTRUCTION

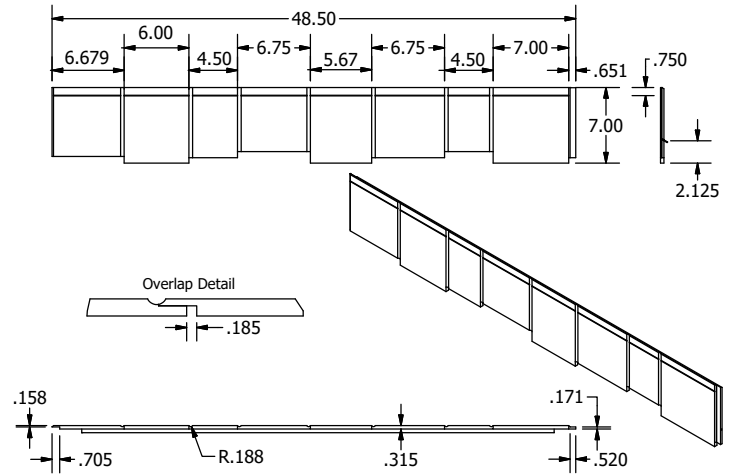
Substrate: Strand
 LP® SmartSide®
 Finish: Diamond Kote®
 Other: Plastic

WEIGHT

Per Piece: 3.15 lbs.
 Per Bundle: 12.6 lbs.
 Per Pallet: 756 lbs.

PACKAGING

Per Carton: 4
 Per Pallet: 240



9" STAGGERED EDGE SHAKE WITH RIGIDSTACK™

DRAWINGS SHOW ACTUAL DIMENSIONS

Function: Textured Shake Siding
 Part Description: RS 9" Stag Shake Ced 9x48

ACTUAL DIMENSIONS

Exposure: 6.875"
 Overlap: 2.125"
 Pieces per square: 43.63
 Length: 48"
 Width: 9"
 Height: N/A
 Min. Thickness: 0.315"

COLOR AVAILABILITY
 Solid and DuoBlend Premium

CONSTRUCTION

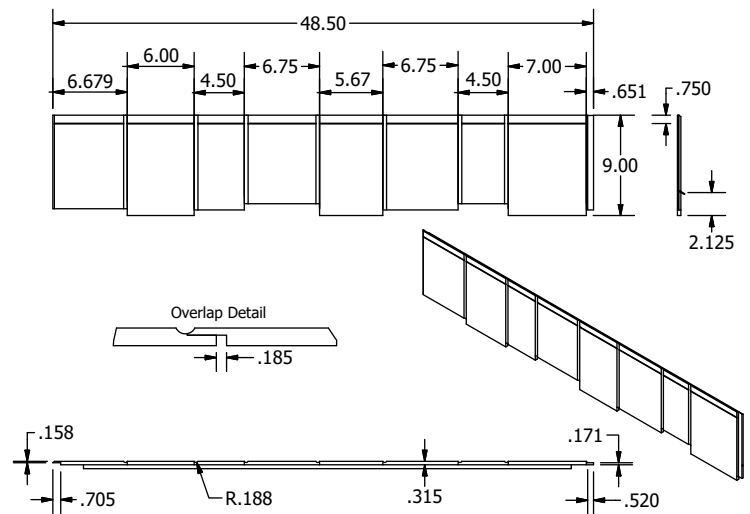
Substrate: Strand
 LP® SmartSide®
 Finish: Diamond Kote®
 Other: Plastic

WEIGHT

Per Piece: 4 lbs.
 Per Bundle: 16 lbs.
 Per Pallet: 768 lbs.

PACKAGING

Per Carton: 4
 Per Pallet: 192



12" STAGGERED EDGE SHAKE WITH RIGIDSTACK™

DRAWINGS SHOW ACTUAL DIMENSIONS

Function: Textured Shake Siding
 Part Description: RS 12" Stag Shake Ced 12x48

ACTUAL DIMENSIONS

Exposure: 9.625"
 Overlap: 2.125"
 Pieces per square: 31.16
 Length: 48"
 Width: 11.77"
 Height: N/A
 Min. Thickness: 0.315"

COLOR AVAILABILITY
 Solid and DuoBlend Premium

CONSTRUCTION

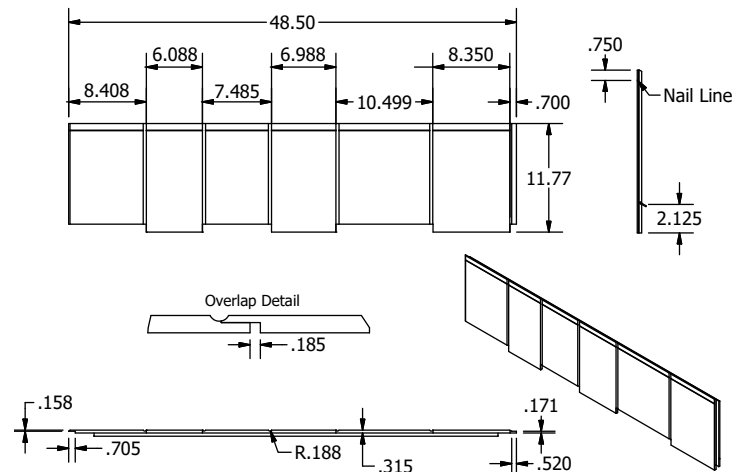
Substrate: Strand
 LP® SmartSide®
 Finish: Diamond Kote®
 Other: Plastic

WEIGHT

Per Piece: 4.4 lbs.
 Per Bundle: 21 lbs.
 Per Pallet: 634 lbs.

PACKAGING

Per Carton: 4
 Per Pallet: 144



7" STRAIGHT EDGE SHAKE WITH RIGIDSTACK™

Function: Textured Shake Siding
 Part Description: RS 7" Strt Shake Ced 7x48

ACTUAL DIMENSIONS

Exposure: 4.875"
 Overlap: 2.125"
 Pieces per square: 61.53
 Length: 48"
 Width: 7"
 Height: N/A
 Min. Thickness: 0.315"

COLOR AVAILABILITY

Solid and DuoBlend Premium

CONSTRUCTION

Substrate: Strand
 LP® SmartSide®
 Finish: Diamond Kote®
 Other: Plastic

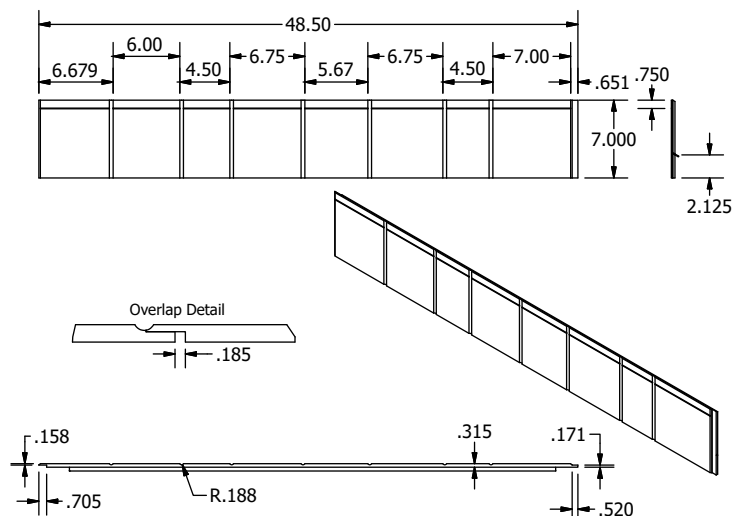
WEIGHT

Per Piece: 3.52 lbs.
 Per Bundle: 14.08 lbs.
 Per Pallet: 844.8 lbs.

PACKAGING

Per Carton: 4
 Per Pallet: 240

DRAWINGS SHOW
 ACTUAL DIMENSIONS



9" STRAIGHT EDGE SHAKE WITH RIGIDSTACK™

Function: Textured Shake Siding
 Part Description: RS 9" Strt Shake WSS Ced 9x48

ACTUAL DIMENSIONS

Exposure: 6.875"
 Overlap: 2.125"
 Pieces per square: 43.63
 Length: 48"
 Width: 9"
 Height: N/A
 Min. Thickness: 0.315"

COLOR AVAILABILITY

Solid and DuoBlend Premium

CONSTRUCTION

Substrate: Strand
 LP® SmartSide®
 Finish: Diamond Kote®
 Other: Plastic

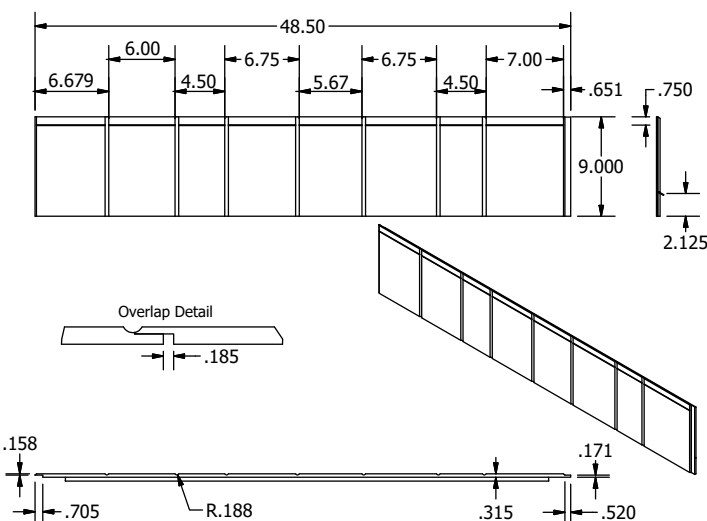
WEIGHT

Per Piece: 4.51 lbs.
 Per Bundle: 18.04 lbs.
 Per Pallet: 865.92 lbs.

PACKAGING

Per Carton: 4
 Per Pallet: 192

DRAWINGS SHOW
 ACTUAL DIMENSIONS



12" STRAIGHT EDGE SHAKE WITH RIGIDSTACK™

Function: Textured Shake Siding
 Part Description: RS 12" Strt Shake Ced 12x48

ACTUAL DIMENSIONS

Exposure: 9.625"
 Overlap: 2.125"
 Pieces per square: 31.16
 Length: 48"
 Width: 11.77"
 Height: N/A
 Min. Thickness: 0.315"

COLOR AVAILABILITY

Solid and DuoBlend Premium

CONSTRUCTION

Substrate: Strand
 LP® SmartSide®
 Finish: Diamond Kote®
 Other: Plastic

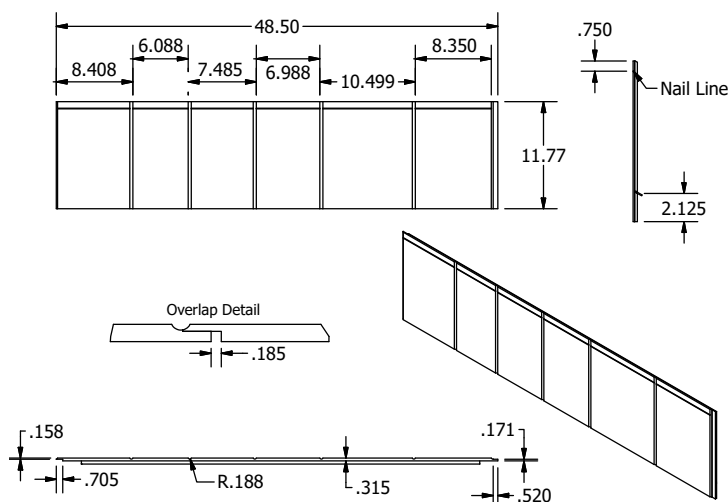
WEIGHT

Per Piece: 4.8 lbs.
 Per Bundle: 22 lbs.
 Per Pallet: 691 lbs.

PACKAGING

Per Carton: 4
 Per Pallet: 144

DRAWINGS SHOW
 ACTUAL DIMENSIONS



5/4 X 4" NAIL FIN OUTSIDE CORNER - 10'

DRAWINGS SHOW ACTUAL DIMENSIONS

Function: One piece design used to trim the outside corners; Part of the exterior siding system

Part Description: 5/4x4x10 OSC LP Ced W/Nail Fin

ACTUAL DIMENSIONS

Exposure: 3.5"
 Overlap: N/A
 Pieces per square: N/A
 Length: 120"
 Width: 3.5"
 Height: N/A
 Min. Thickness: 0.91"

COLOR AVAILABILITY

Solid and DuoBlend Premium

CONSTRUCTION

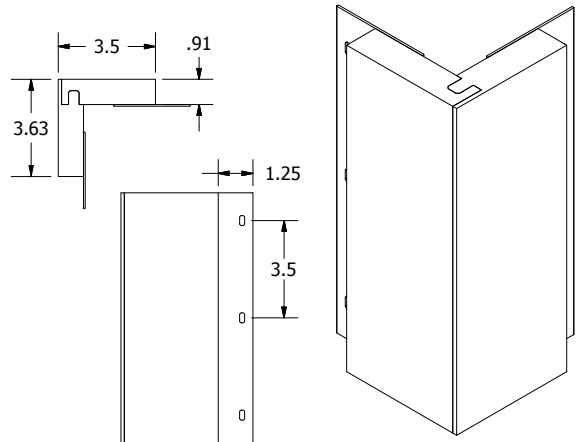
Substrate: Strand
 LP® SmartSide®
 Finish: Diamond Kote®
 Other: Plastic

WEIGHT

Per Piece: 19.67 lbs.
 Per Bundle: 19.67 lbs.
 Per Pallet: 590.1 lbs.

PACKAGING

Per Bundle: 1
 Per Pallet: 30



5/4 X 4" NAIL FIN OUTSIDE CORNER - 16'

DRAWINGS SHOW ACTUAL DIMENSIONS

Function: One piece design used to trim the outside corners; Part of the exterior siding system

Part Description: 5/4x4x16 OSC LP Ced W/Nail Fin

ACTUAL DIMENSIONS

Exposure: 3.5"
 Overlap: N/A
 Pieces per square: N/A
 Length: 192"
 Width: 3.5"
 Height: N/A
 Min. Thickness: 0.91"

COLOR AVAILABILITY

Solid and DuoBlend Premium

CONSTRUCTION

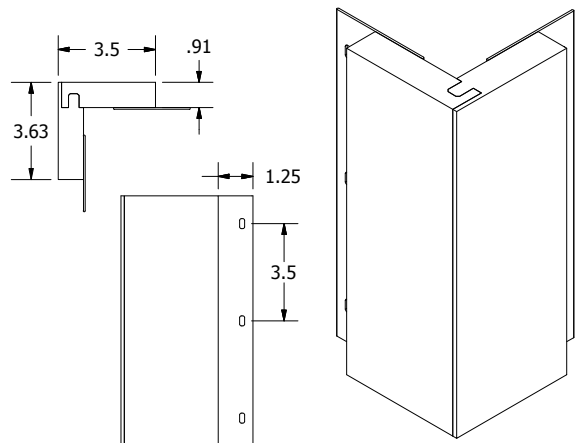
Substrate: Strand
 LP® SmartSide®
 Finish: Diamond Kote®
 Other: Plastic

WEIGHT

Per Piece: 31.47 lbs.
 Per Bundle: 31.47 lbs.
 Per Pallet: 944.1 lbs.

PACKAGING

Per Bundle: 1
 Per Pallet: 30



5/4 X 6" NAIL FIN OUTSIDE CORNER - 10'

DRAWINGS SHOW ACTUAL DIMENSIONS

Function: One piece design used to trim the outside corners; Part of the exterior siding system

Part Description: 5/4x6x10 OSC LP Ced W/Nail Fin

ACTUAL DIMENSIONS

Exposure: 5.5"
 Overlap: N/A
 Pieces per square: N/A
 Length: 120
 Width: 5.5"
 Height: N/A
 Min. Thickness: 0.91"

CONSTRUCTION

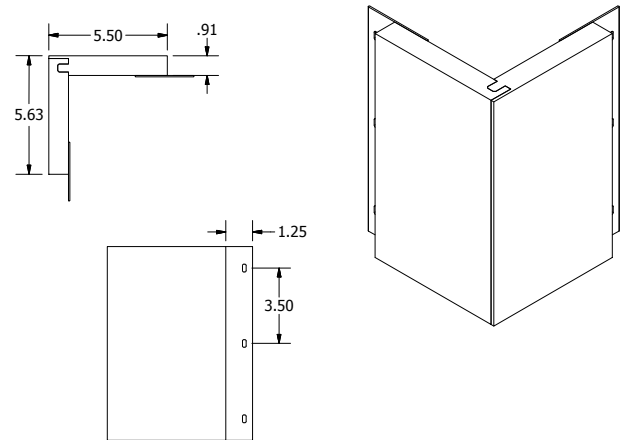
Substrate: Strand
 LP® SmartSide®
 Finish: Diamond Kote®
 Other: Plastic

WEIGHT

Per Piece: 32 lbs.
 Per Bundle: 32 lbs.
 Per Pallet: 480 lbs.

PACKAGING

Per Bundle: 1
 Per Pallet: 15



5/4 X 6" NAIL FIN OUTSIDE CORNER - 16'

DRAWINGS SHOW ACTUAL DIMENSIONS

Function: One piece design used to trim the outside corners; Part of the exterior siding system

Part Description: 5/4x6x16 OSC LP Ced W/Nail Fin

ACTUAL DIMENSIONS

Exposure: 5.5"
 Overlap: N/A
 Pieces per square: N/A
 Length: 192"
 Width: 5.5"
 Height: N/A
 Min. Thickness: 0.91"

CONSTRUCTION

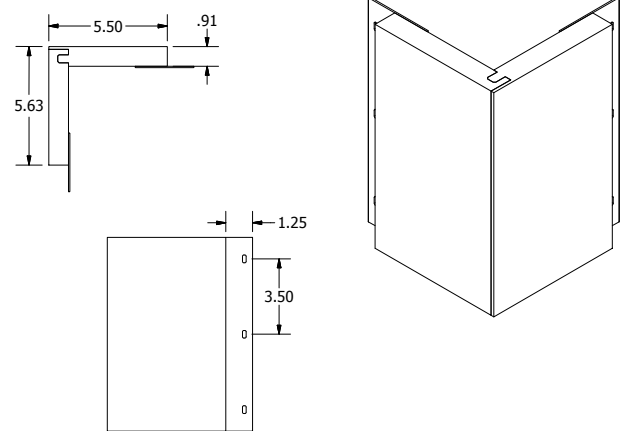
Substrate: Strand
 LP® SmartSide®
 Finish: Diamond Kote®
 Other: Plastic

WEIGHT

Per Piece: 52 lbs.
 Per Bundle: 52 lbs.
 Per Pallet: 780 lbs.

PACKAGING

Per Bundle: 1
 Per Pallet: 15



5/4 X 3" NAIL FIN INSIDE CORNER - 10'

DRAWINGS SHOW ACTUAL DIMENSIONS

Function: One piece design used to trim the outside corners; Part of the exterior siding system

Part Description: 5/4x3x10 ISC Ced Nail Fin

ACTUAL DIMENSIONS

Exposure:
 1.50" X 1.50"
 Overlap: N/A
 Pieces per square: N/A
 Length: 120"
 Width: 2.41"
 Height: N/A
 Min. Thickness: 0.91"

CONSTRUCTION

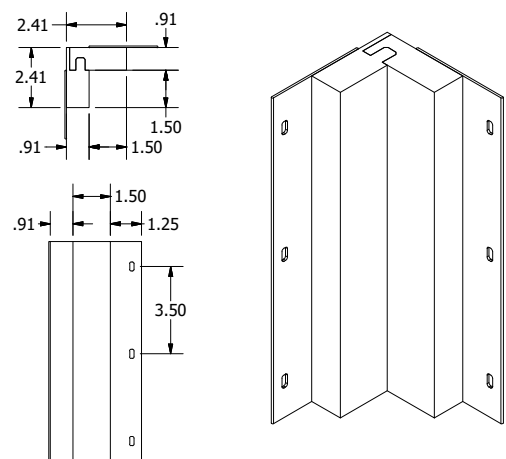
Substrate: Strand
 LP® SmartSide®
 Finish: Diamond Kote®
 Other: Plastic

WEIGHT

Per Piece: 16 lbs.
 Per Bundle: 16 lbs.
 Per Pallet: 400 lbs.

PACKAGING

Per Bundle: 1
 Per Pallet: 25



6" HORIZONTAL WOODGRAIN INDIVIDUAL OUTSIDE CORNER

Function: Finish the outside corner of each individual row of siding

DRAWINGS SHOW ACTUAL DIMENSIONS

Part Description: Individual Aluminum Outside Corner

ACTUAL DIMENSIONS

Exposure: 4.75"
 Overlap: 1.25"
 Pieces per square: N/A
 Length:
 Width: 1.75"
 Height: 5.875"
 Min. Thickness: 0.019

CONSTRUCTION

Substrate: Aluminum
 Finish: Diamond Kote®
 Other: N/A

WEIGHT

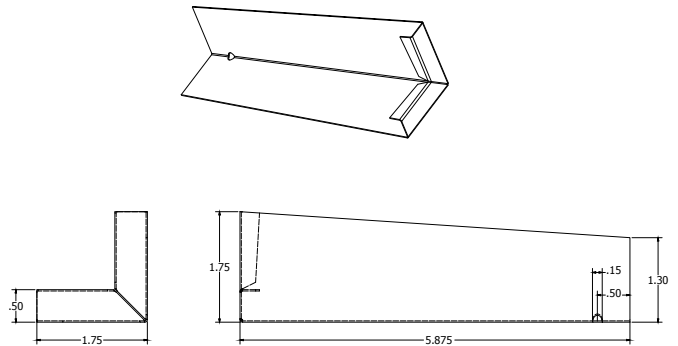
Per Piece: .04 lbs.
 Per Bundle: 1.09 lbs.
 Per Pallet: N/A

COLOR AVAILABILITY

Light Gray, Smoky Ash,
 Pelican, Graphite, Clay,
 Oyster Shell, Sand, French
 Gray, Seal, Mountain Lake

PACKAGING

Per Bundle: 25
 Per Pallet: N/A



8" HORIZONTAL WOODGRAIN INDIVIDUAL OUTSIDE CORNER

Function: Finish the outside corner of each individual row of siding

DRAWINGS SHOW ACTUAL DIMENSIONS

Part Description: Individual Aluminum Outside Corner

ACTUAL DIMENSIONS

Exposure: 6.75"
 Overlap: 1.25"
 Pieces per square: N/A
 Length:
 Width: 1.75"
 Height: 7.875"
 Min. Thickness: 0.019

CONSTRUCTION

Substrate: Aluminum
 Finish: Diamond Kote®
 Other: N/A

WEIGHT

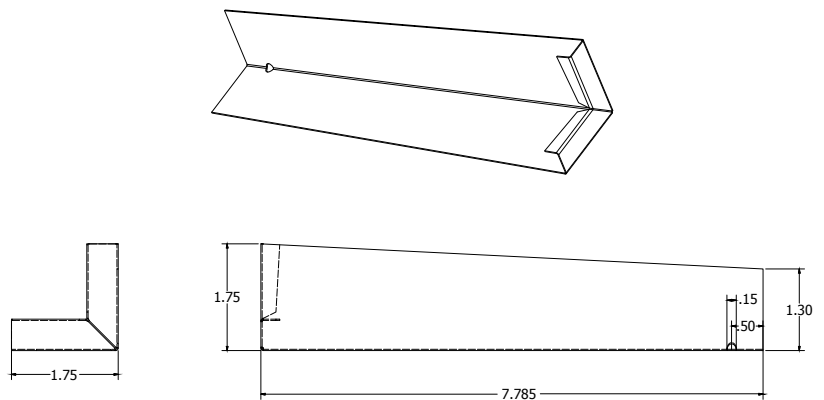
Per Piece: .05 lbs.
 Per Bundle: 1.30 lbs.
 Per Pallet: N/A

COLOR AVAILABILITY

Light Gray, Smoky Ash,
 Pelican, Graphite, Clay,
 Oyster Shell, Sand, French
 Gray, Seal, Mountain Lake

PACKAGING

Per Bundle: 25
 Per Pallet: N/A



12" HORIZONTAL WOODGRAIN INDIVIDUAL OUTSIDE CORNER

Function: Finish the outside corner of each individual row of siding

DRAWINGS SHOW ACTUAL DIMENSIONS

Part Description: Individual Aluminum Outside Corner

ACTUAL DIMENSIONS

Exposure: 10.75"
 Overlap: 1.25"
 Pieces per square: N/A
 Length:
 Width: 1.75"
 Height: 11.75"
 Min. Thickness: 0.019

CONSTRUCTION

Substrate: Aluminum
 Finish: Diamond Kote®
 Other: N/A

WEIGHT

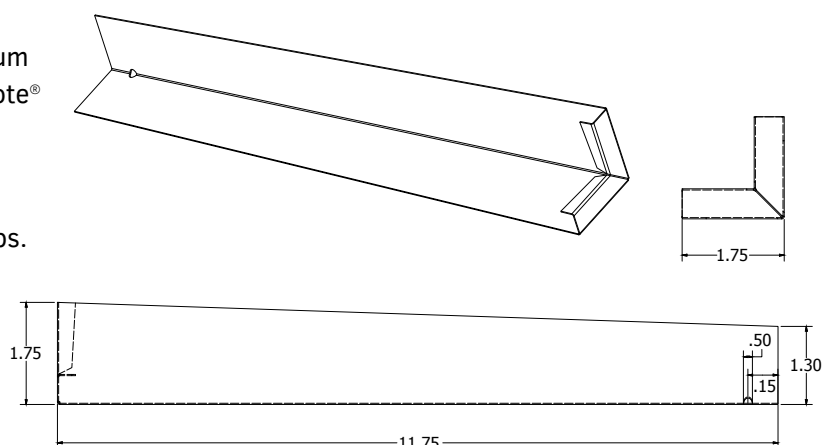
Per Piece: .07 lbs.
 Per Bundle: 1.80 lbs.
 Per Pallet: N/A

COLOR AVAILABILITY

Light Gray, Smoky Ash,
 Pelican, Graphite, Clay,
 Oyster Shell, Sand, French
 Gray, Seal, Mountain Lake

PACKAGING

Per Bundle: 25
 Per Pallet: N/A



7" VERTICAL WOODGRAIN INDIVIDUAL OUTSIDE CORNER

Function: Finish the outside corner of each individual row of siding
 Part Description: Individual Aluminum Outside Corner

DRAWINGS SHOW ACTUAL DIMENSIONS

ACTUAL DIMENSIONS

Exposure: 4.875"
 Overlap: 2.125"
 Pieces per square: N/A
 Length:
 Width: 1.75"
 Height: 6.875"
 Min. Thickness: 0.019

CONSTRUCTION

Substrate: Aluminum
 Finish: Diamond Kote®
 Other: N/A

WEIGHT

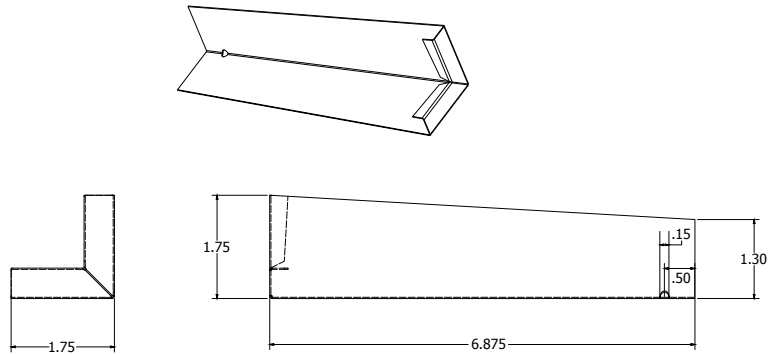
Per Piece: .04 lbs.
 Per Bundle: 1.19 lbs.
 Per Pallet: N/A

PACKAGING

Per Bundle: 25
 Per Pallet: N/A

COLOR AVAILABILITY

Light Gray, Smoky Ash,
 Pelican, Graphite, Clay,
 Oyster Shell, Sand, French
 Gray, Seal, Mountain Lake



9" VERTICAL WOODGRAIN INDIVIDUAL OUTSIDE CORNER

Function: Finish the outside corner of each individual row of siding
 Part Description: Individual Aluminum Outside Corner

DRAWINGS SHOW ACTUAL DIMENSIONS

ACTUAL DIMENSIONS

Exposure: 6.875"
 Overlap: 2.125"
 Pieces per square: N/A
 Length:
 Width: 1.75"
 Height: 8.875"
 Min. Thickness: 0.019

CONSTRUCTION

Substrate: Aluminum
 Finish: Diamond Kote®
 Other: N/A

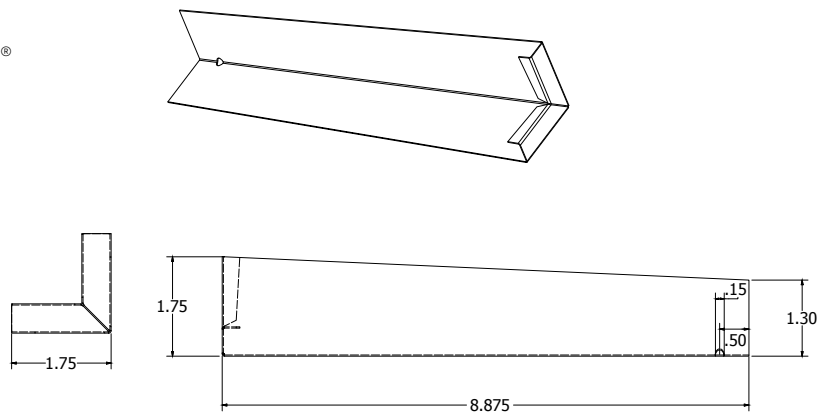
WEIGHT

Per Piece: .05 lbs.
 Per Bundle: 1.40 lbs.
 Per Pallet: N/A

PACKAGING

Per Bundle: 25
 Per Pallet: N/A

COLOR AVAILABILITY
 Light Gray, Smoky Ash,
 Pelican, Graphite, Clay,
 Oyster Shell, Sand, French
 Gray, Seal, Mountain Lake



12" VERTICAL WOODGRAIN INDIVIDUAL OUTSIDE CORNER

Function: Finish the outside corner of each individual row of siding
 Part Description: Individual Aluminum Outside Corner

DRAWINGS SHOW ACTUAL DIMENSIONS

ACTUAL DIMENSIONS

Exposure: 9.625"
 Overlap: 2.125"
 Pieces per square: N/A
 Length:
 Width: 1.75"
 Height: 11.6875"
 Min. Thickness: 0.019

CONSTRUCTION

Substrate: Aluminum
 Finish: Diamond Kote®
 Other: N/A

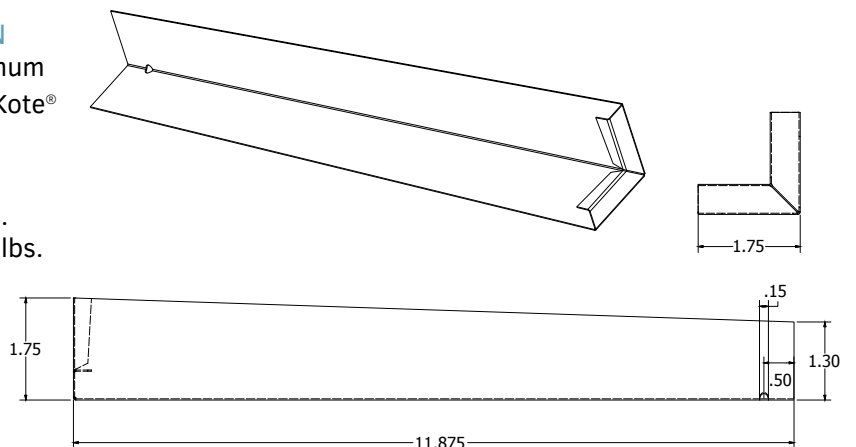
WEIGHT

Per Piece: .07 lbs.
 Per Bundle: 1.80 lbs.
 Per Pallet: N/A

PACKAGING

Per Bundle: 25
 Per Pallet: N/A

COLOR AVAILABILITY
 Light Gray, Smoky Ash,
 Pelican, Graphite, Clay,
 Oyster Shell, Sand, French
 Gray, Seal, Mountain Lake



5/4 X 4" NAIL FIN TRIM

DRAWINGS SHOW ACTUAL DIMENSIONS

Function: Trim boards used around windows, doors, and gable accents; Vertical terminations of siding

Part Description: 5/4x4x16 Trim Nail Fin

ACTUAL DIMENSIONS

Exposure: 3.5"
 Overlap: N/A
 Pieces per square: N/A
 Length: 192"
 Width: 3.5"
 Height: N/A
 Min. Thickness: 0.91"

COLOR AVAILABILITY

Solid and DuoBlend Premium

CONSTRUCTION

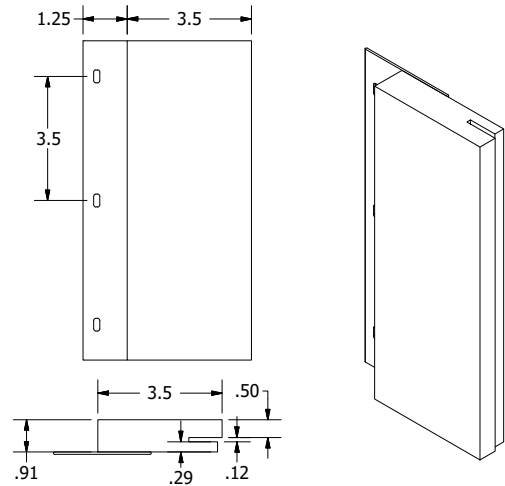
Substrate: Strand
 LP® SmartSide®
 Finish: Diamond Kote®
 Other: Plastic

WEIGHT

Per Piece: 16.67 lbs.
 Per Bundle: 33.34 lbs.
 Per Pallet: 1500.3 lbs.

PACKAGING

Per Bundle: 2
 Per Pallet: 90



5/4 X 6" NAIL FIN TRIM

DRAWINGS SHOW ACTUAL DIMENSIONS

Function: Trim boards used around windows, doors, and gable accents; Vertical terminations of siding

Part Description: 5/4x6x16 Trim Nail Fin

ACTUAL DIMENSIONS

Exposure: 5.5"
 Overlap: N/A
 Pieces per square: N/A
 Length: 192"
 Width: 5.5"
 Height: N/A
 Min. Thickness: 0.91"

COLOR AVAILABILITY

Solid and DuoBlend Premium

CONSTRUCTION

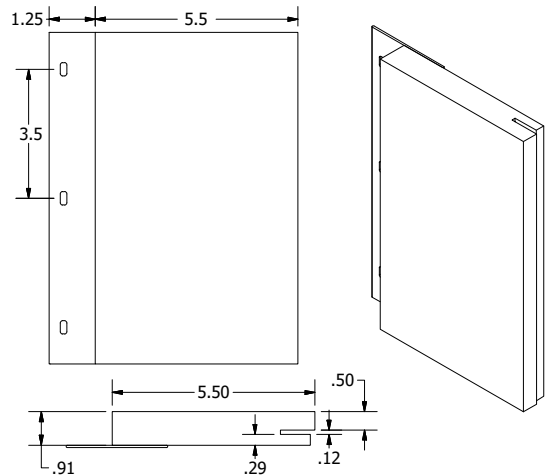
Substrate: Strand
 LP® SmartSide®
 Finish: Diamond Kote®
 Other: Plastic

WEIGHT

Per Piece: 25.33 lbs.
 Per Bundle: 50.66 lbs.
 Per Pallet: 1520 lbs.

PACKAGING

Per Bundle: 2
 Per Pallet: 60



TRIM CLIP

DRAWINGS SHOW ACTUAL DIMENSIONS

Function: Trim Clip mounts Nail Fin Trim to the wall

Part Description: Trim Clip 3/8"x 2" Alum 100/Bg 10Bg/Ct

ACTUAL DIMENSIONS

Exposure: N/A
 Overlap: 0.75"
 Pieces/Trim Board: 12
 Length: 1.63"
 Width: 0.38"
 Height: 1.56"
 Min. Thickness: 0.019"

COLOR AVAILABILITY

Primed finish

CONSTRUCTION

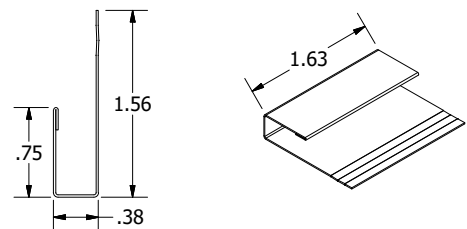
Substrate: Aluminium
 Finish: Q800 Tufftech®
 Other: N/A

WEIGHT

Per Piece: 0.0085 lbs.
 Per Bundle: 0.85 lbs.
 Per Pallet: 8.5 lbs.

PACKAGING

Per Bundle: 100
 Per Pallet: N/A



5/4 X 2" STANDARD TRIM

DRAWINGS SHOW ACTUAL DIMENSIONS

Function: Textured trim board used to accent any substrate

Part Description: 5/4x2x16' Standard Trim

ACTUAL DIMENSIONS

Exposure: N/A

Overlap: N/A

Pieces per square: N/A

Length: 192"

Width: 1.5"

Height: N/A

Min. Thickness: 0.91"

COLOR AVAILABILITY

Solid and DuoBlend Premium

CONSTRUCTION

Substrate: Strand

LP® SmartSide®

Finish: Diamond Kote®

Other: N/A

WEIGHT

Per Piece: 6.52 lbs.

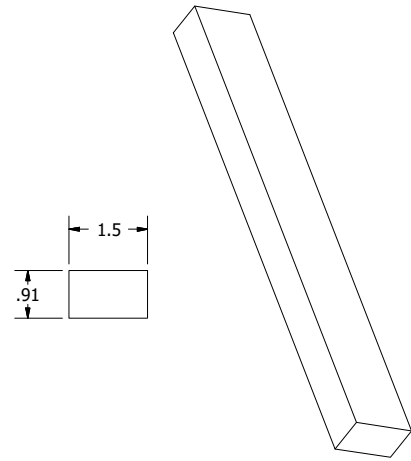
Per Bundle: 13.04 lbs.

Per Pallet: 1669.12 lbs.

PACKAGING

Per Bundle: 4

Per Pallet: 256



5/4 X 3" STANDARD TRIM

DRAWINGS SHOW ACTUAL DIMENSIONS

Function: Textured trim board used to accent any substrate

Part Description: 5/4x3x16' Standard Trim

ACTUAL DIMENSIONS

Exposure: N/A

Overlap: N/A

Pieces per square: N/A

Length: 192"

Width: 2.5"

Height: N/A

Min. Thickness: 0.91"

COLOR AVAILABILITY

Solid and DuoBlend Premium

CONSTRUCTION

Substrate: Strand

LP® SmartSide®

Finish: Diamond Kote®

Other: N/A

WEIGHT

Per Piece: 12.03 lbs.

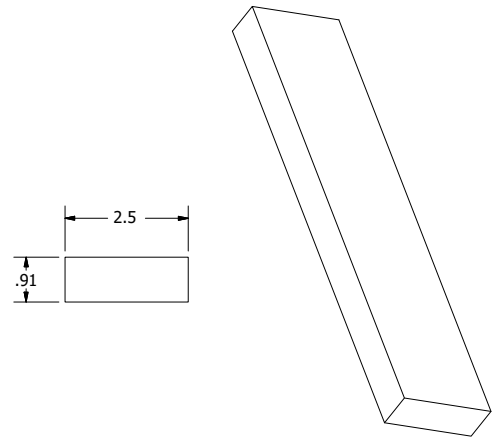
Per Bundle: 12.03 lbs.

Per Pallet: 1948.86 lbs.

PACKAGING

Per Bundle: 4

Per Pallet: 162



5/4 X 4" STANDARD TRIM

DRAWINGS SHOW ACTUAL DIMENSIONS

Function: Textured trim board used to accent any substrate

Part Description: 5/4x4x16' Standard Trim

ACTUAL DIMENSIONS

Exposure: N/A

Overlap: N/A

Pieces per square: N/A

Length: 192"

Width: 3.5"

Height: N/A

Min. Thickness: 0.91"

COLOR AVAILABILITY

Solid and DuoBlend Premium

CONSTRUCTION

Substrate: Strand

LP® SmartSide®

Finish: Diamond Kote®

Other: N/A

WEIGHT

Per Piece: 15.17 lbs.

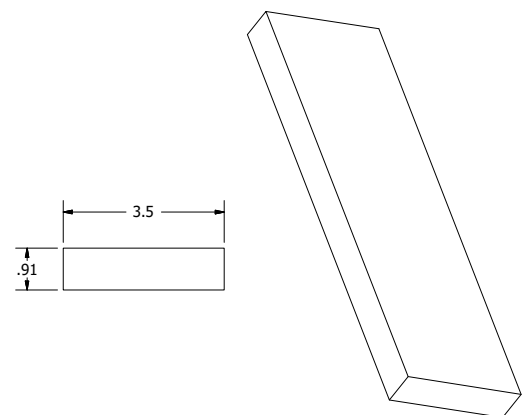
Per Bundle: 30.34 lbs.

Per Pallet: 1820.4 lbs.

PACKAGING

Per Bundle: 2

Per Pallet: 120



5/4 X 6" STANDARD TRIM

DRAWINGS SHOW ACTUAL DIMENSIONS

Function: Textured trim board used to accent any substrate
 Part Description: 5/4x6x16' Standard Trim

ACTUAL DIMENSIONS

Exposure: N/A
 Overlap: N/A
 Pieces per square: N/A
 Length: 192"
 Width: 5.5"
 Height: N/A
 Min. Thickness: 0.91"

CONSTRUCTION

Substrate: Strand
 LP® SmartSide®
 Finish: Diamond Kote®
 Other: N/A

WEIGHT

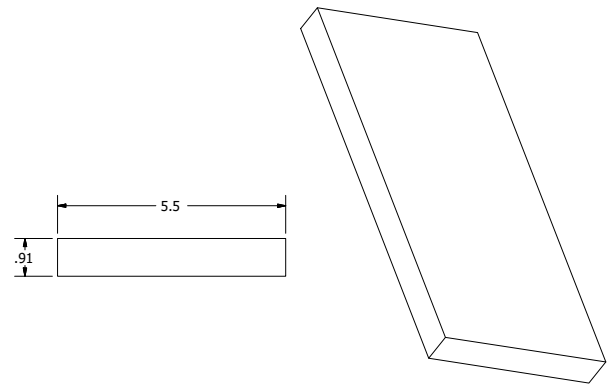
Per Piece: 24.43 lbs.
 Per Bundle: 48.86 lbs.
 Per Pallet: 1710.1 lbs.

COLOR AVAILABILITY

Solid and DuoBlend Premium

PACKAGING

Per Bundle: 2
 Per Pallet: 70



5/4 X 8" STANDARD TRIM

DRAWINGS SHOW ACTUAL DIMENSIONS

Function: Textured trim board used to accent any substrate
 Part Description: 5/4x8x16' Standard Trim

ACTUAL DIMENSIONS

Exposure: N/A
 Overlap: N/A
 Pieces per square: N/A
 Length: 192"
 Width: 7.21"
 Height: N/A
 Min. Thickness: 0.91"

CONSTRUCTION

Substrate: Strand
 LP® SmartSide®
 Finish: Diamond Kote®
 Other: N/A

WEIGHT

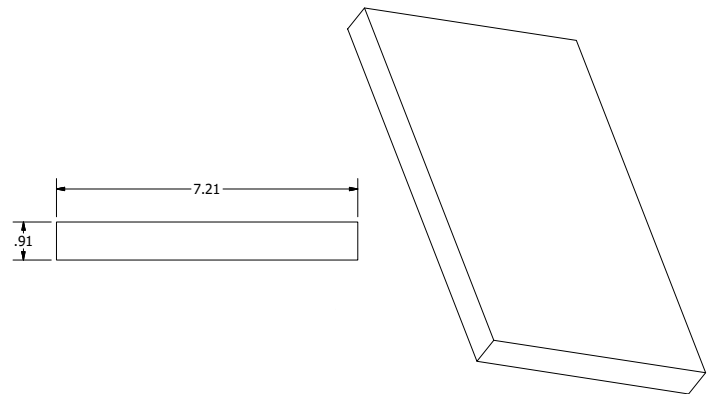
Per Piece: 32 lbs.
 Per Bundle: 64 lbs.
 Per Pallet: 1920 lbs.

COLOR AVAILABILITY

Solid and DuoBlend Premium

PACKAGING

Per Bundle: 2
 Per Pallet: 60



5/4 X 10" STANDARD TRIM

DRAWINGS SHOW ACTUAL DIMENSIONS

Function: Textured trim board used to accent any substrate
 Part Description: 5/4x10x16' Standard Trim

ACTUAL DIMENSIONS

Exposure: N/A
 Overlap: N/A
 Pieces per square: N/A
 Length: 192"
 Width: 9.21"
 Height: N/A
 Min. Thickness: 0.91"

CONSTRUCTION

Substrate: Strand
 LP® SmartSide®
 Finish: Diamond Kote®
 Other: N/A

WEIGHT

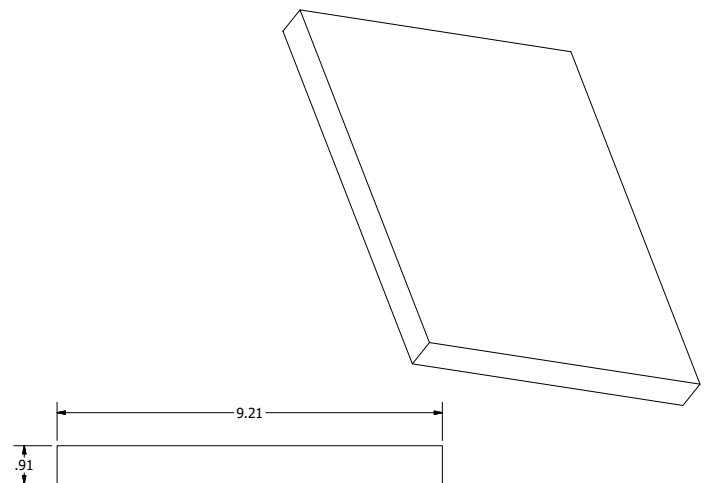
Per Piece: 41 lbs.
 Per Bundle: 82 lbs.
 Per Pallet: 1640 lbs.

COLOR AVAILABILITY

Solid and DuoBlend Premium

PACKAGING

Per Bundle: 2
 Per Pallet: 40



5/4 X 12" STANDARD TRIM

Function: Textured trim board used to accent any substrate

Part Description: 5/4x12x16' Standard Trim

ACTUAL DIMENSIONS

Exposure: N/A

Overlap: N/A

Pieces per square: N/A

Length: 192"

Width: 11.21"

Height: N/A

Min. Thickness: 0.91"

COLOR AVAILABILITY

Solid and DuoBlend Premium

CONSTRUCTION

Substrate: Strand

LP® SmartSide®

Finish: Diamond Kote®

Other: N/A

WEIGHT

Per Piece: 48.75 lbs.

Per Bundle: 97.5 lbs.

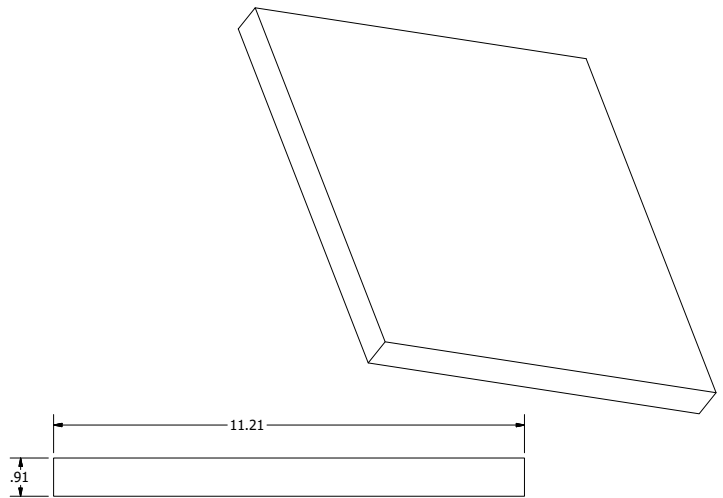
Per Pallet: 1950 lbs.

PACKAGING

Per Bundle: 2

Per Pallet: 40

DRAWINGS SHOW ACTUAL DIMENSIONS



4/4 X 2" STANDARD TRIM

Function: Textured trim board used to accent any substrate

Part Description: 4/4x2x16' Standard Trim

ACTUAL DIMENSIONS

Exposure: N/A

Overlap: N/A

Pieces per square: N/A

Length: 192"

Width: 1.5"

Height: N/A

Min. Thickness: 0.625"

COLOR AVAILABILITY

Solid and DuoBlend Premium

CONSTRUCTION

Substrate: Strand

LP® SmartSide®

Finish: Diamond Kote®

Other: N/A

WEIGHT

Per Piece: 5.67 lbs.

Per Bundle: 5.67 lbs.

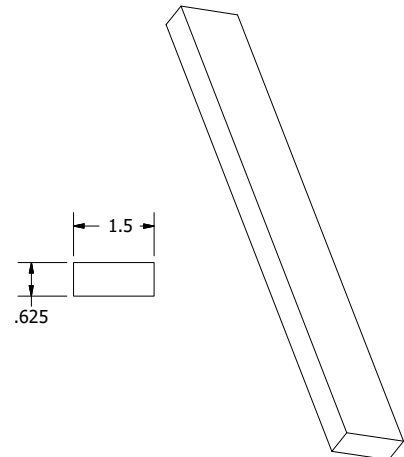
Per Pallet: 1451.52 lbs.

PACKAGING

Per Bundle: 4

Per Pallet: 256

DRAWINGS SHOW ACTUAL DIMENSIONS



4/4 X 3" STANDARD TRIM

Function: Textured trim board used to accent any substrate

Part Description: 4/4x3x16' Standard Trim

ACTUAL DIMENSIONS

Exposure: N/A

Overlap: N/A

Pieces per square: N/A

Length: 192"

Width: 2.5"

Height: N/A

Min. Thickness: 0.625"

COLOR AVAILABILITY

Solid and DuoBlend Premium

CONSTRUCTION

Substrate: Strand

LP® SmartSide®

Finish: Diamond Kote®

Other: N/A

WEIGHT

Per Piece: 8.63 lbs.

Per Bundle: 8.63 lbs.

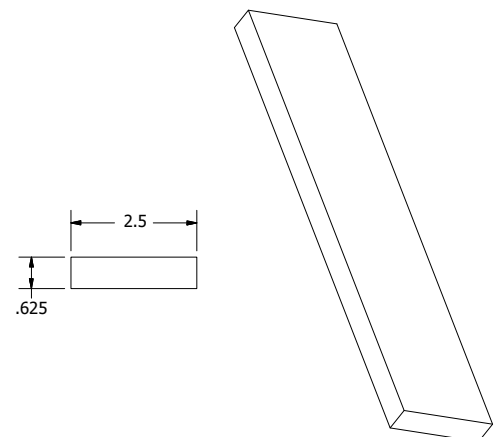
Per Pallet: 1398.06 lbs.

PACKAGING

Per Bundle: 4

Per Pallet: 162

DRAWINGS SHOW ACTUAL DIMENSIONS



4/4 X 4" STANDARD TRIM

DRAWINGS SHOW ACTUAL DIMENSIONS

Function: Textured trim board used to accent any substrate
 Part Description: 4/4x4x16' Standard Trim

ACTUAL DIMENSIONS

Exposure: N/A
 Overlap: N/A
 Pieces per square: N/A
 Length: 192"
 Width: 3.5"
 Height: N/A
 Min. Thickness: 0.625"

CONSTRUCTION

Substrate: Strand
 LP® SmartSide®
 Finish: Diamond Kote®
 Other: N/A

WEIGHT

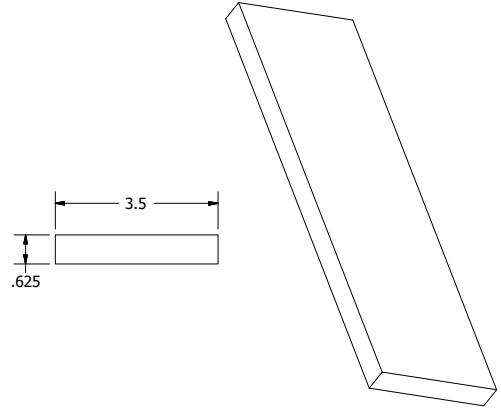
Per Piece: 11.19 lbs.
 Per Bundle: 22.38 lbs.
 Per Pallet: 1342.8 lbs.

COLOR AVAILABILITY

Solid and DuoBlend Premium

PACKAGING

Per Bundle: 2
 Per Pallet: 120



4/4 X 6" STANDARD TRIM

DRAWINGS SHOW ACTUAL DIMENSIONS

Function: Textured trim board used to accent any substrate
 Part Description: 4/4x6x16' Standard Trim

ACTUAL DIMENSIONS

Exposure: N/A
 Overlap: N/A
 Pieces per square: N/A
 Length: 192"
 Width: 5.5"
 Height: N/A
 Min. Thickness: 0.625"

CONSTRUCTION

Substrate: Strand
 LP® SmartSide®
 Finish: Diamond Kote®
 Other: N/A

WEIGHT

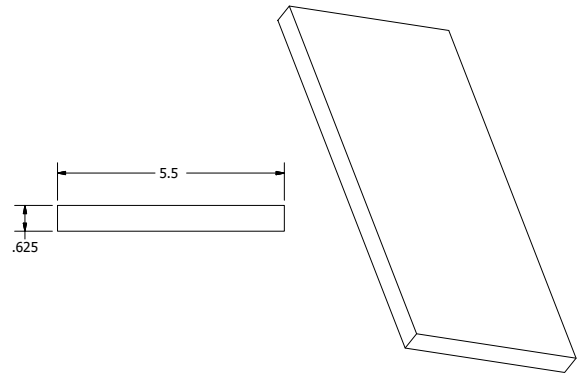
Per Piece: 17.14 lbs.
 Per Bundle: 34.28 lbs.
 Per Pallet: 1199.8 lbs.

COLOR AVAILABILITY

Solid and DuoBlend Premium

PACKAGING

Per Bundle: 2
 Per Pallet: 70



4/4 X 8" STANDARD TRIM

DRAWINGS SHOW ACTUAL DIMENSIONS

Function: Textured trim board used to accent any substrate
 Part Description: 4/4x8x16' Standard Trim

ACTUAL DIMENSIONS

Exposure: N/A
 Overlap: N/A
 Pieces per square: N/A
 Length: 192"
 Width: 7.21"
 Height: N/A
 Min. Thickness: 0.625"

CONSTRUCTION

Substrate: Strand
 LP® SmartSide®
 Finish: Diamond Kote®
 Other: N/A

WEIGHT

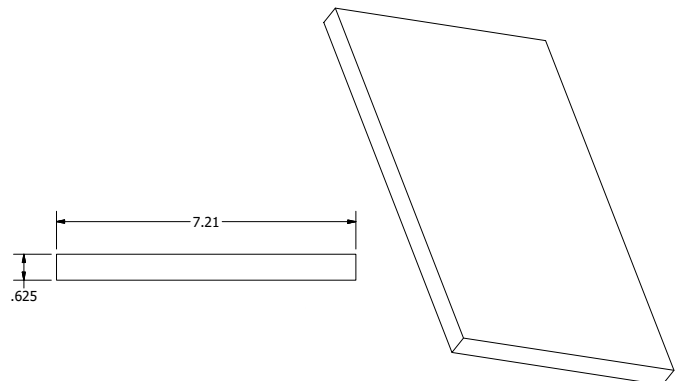
Per Piece: 22.33 lbs.
 Per Bundle: 44.66 lbs.
 Per Pallet: 1339.8 lbs.

COLOR AVAILABILITY

Solid and DuoBlend Premium

PACKAGING

Per Bundle: 2
 Per Pallet: 60



4/4 X 10" STANDARD TRIM

Function: Textured trim board used to accent any substrate

Part Description: 4/4x10x16' Standard Trim

ACTUAL DIMENSIONS

Exposure: N/A

Overlap: N/A

Pieces per square: N/A

Length: 192"

Width: 9.21"

Height: N/A

Min. Thickness: 0.625"

COLOR AVAILABILITY

Solid and DuoBlend Premium

CONSTRUCTION

Substrate: Strand

LP® SmartSide®

Finish: Diamond Kote®

Other: N/A

WEIGHT

Per Piece: 29 lbs.

Per Bundle: 58 lbs.

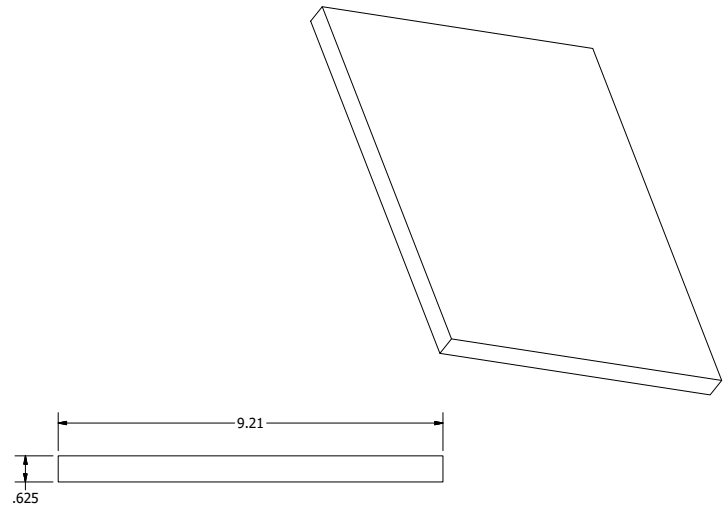
Per Pallet: 1160 lbs.

PACKAGING

Per Bundle: 2

Per Pallet: 40

DRAWINGS SHOW ACTUAL DIMENSIONS



4/4 X 12" STANDARD TRIM

Function: Textured trim board used to accent any substrate

Part Description: 4/4x12x16' Standard Trim

ACTUAL DIMENSIONS

Exposure: N/A

Overlap: N/A

Pieces per square: N/A

Length: 192"

Width: 11.21"

Height: N/A

Min. Thickness: 0.625"

COLOR AVAILABILITY

Solid and DuoBlend Premium

CONSTRUCTION

Substrate: Strand

LP® SmartSide®

Finish: Diamond Kote®

Other: N/A

WEIGHT

Per Piece: 34.5 lbs.

Per Bundle: 69 lbs.

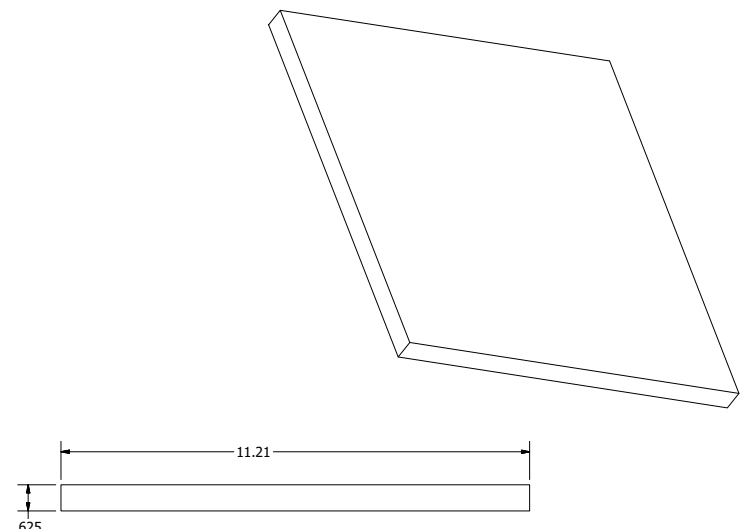
Per Pallet: 1380 lbs.

PACKAGING

Per Bundle: 2

Per Pallet: 40

DRAWINGS SHOW ACTUAL DIMENSIONS



ARCH TRIM

4" ARCH TRIM

Function: Premade trim for arched, elliptical or circular windows, doors or other openings

Part Description: 4" Arch Trim

ACTUAL DIMENSIONS

Exposure: N/A
Overlap: N/A
Pieces per square: N/A
Length: Variable
Width: 3.5"
Height: Variable
Min. Thickness: 0.91"

COLOR AVAILABILITY

Solid and DuoBlend Premium

CONSTRUCTION

Substrate: Strand
LP® SmartSide®
Finish: Diamond Kote®
Other: N/A

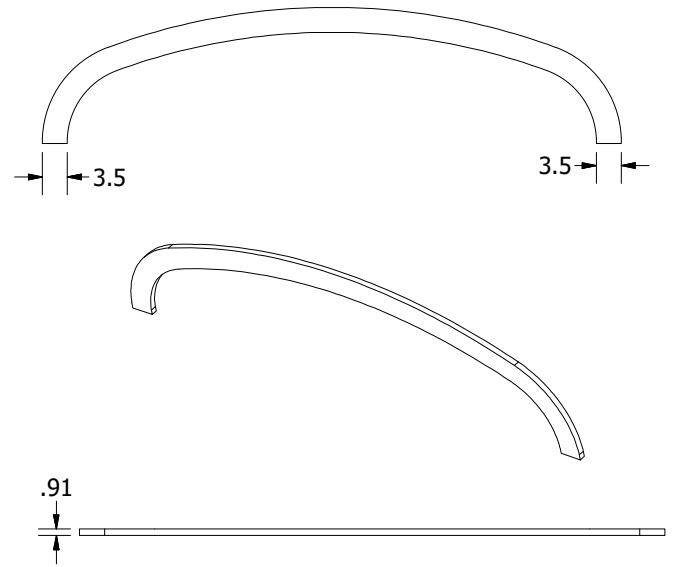
WEIGHT

Per Piece: Variable
0.95 Lbs / Lineal Foot
Per Bundle: N/A
Per Pallet: N/A

PACKAGING

Per Bundle: 1 Each
Per Carton: N/A

DRAWINGS SHOW ACTUAL DIMENSIONS



6" ARCH TRIM

Function: Premade trim for arched, elliptical or circular windows, doors or other openings

Part Description: 6" Arch Trim

ACTUAL DIMENSIONS

Exposure: N/A
Overlap: N/A
Pieces per square: N/A
Length: Variable
Width: 5.5"
Height: Variable
Min. Thickness: 0.91"

COLOR AVAILABILITY

Solid and DuoBlend Premium

CONSTRUCTION

Substrate: Strand
LP® SmartSide®
Finish: Diamond Kote®
Other: N/A

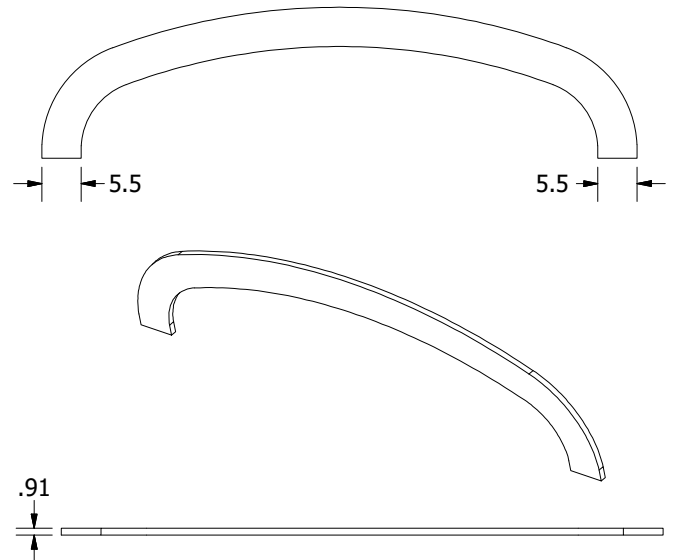
WEIGHT

Per Piece: Variable
1.52 Lbs / Lineal Foot
Per Bundle: N/A
Per Pallet: N/A

PACKAGING

Per Bundle: 1 Each
Per Carton: N/A

DRAWINGS SHOW ACTUAL DIMENSIONS



4" KEYSTONE

Function: Accent piece used with lineal trim on arched, circular windows, doors or other straight trim openings

Part Description: 4" Keystone

ACTUAL DIMENSIONS

Exposure: N/A
 Overlap: N/A
 Pieces per square: N/A
 Length: N/A
 Width: 5.5"
 Height: 4.5"
 Min. Thickness: 0.91"

COLOR AVAILABILITY

Solid and DuoBlend Premium

CONSTRUCTION

Substrate: Strand
 LP® SmartSide®
 Finish: Diamond Kote®
 Other: N/A

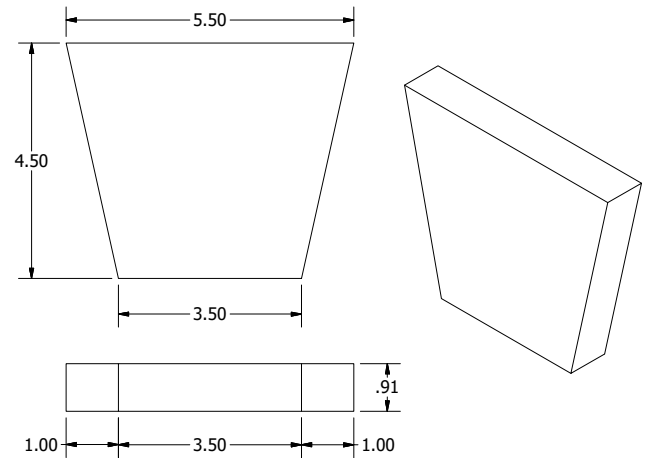
WEIGHT

Per Piece: 0.2 lbs.
 Per Bundle: 0.2 lbs.
 Per Pallet: N/A lbs.

PACKAGING

Per Bundle: 1 Each
 Per Carton: N/A

DRAWINGS SHOW ACTUAL DIMENSIONS



6" KEYSTONE

Function: Accent piece used with lineal trim on arched, circular windows, doors or other straight trim openings

Part Description: 6" Keystone

ACTUAL DIMENSIONS

Exposure: N/A
 Overlap: N/A
 Pieces per square: N/A
 Length: N/A
 Width: 7.5"
 Height: 6.5"
 Min. Thickness: 0.91"

COLOR AVAILABILITY

Solid and DuoBlend Premium

CONSTRUCTION

Substrate: Strand
 LP® SmartSide®
 Finish: Diamond Kote®
 Other: N/A

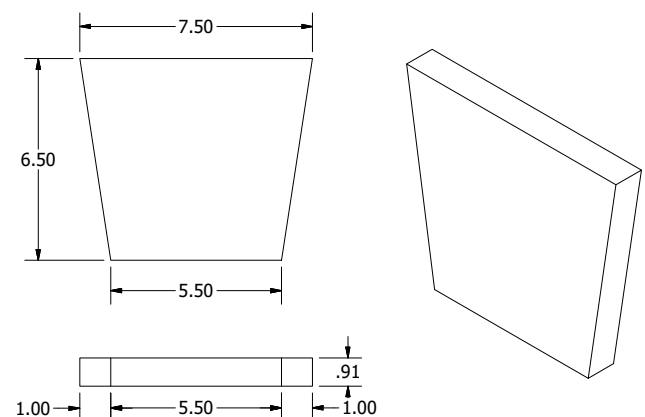
WEIGHT

Per Piece: 1 lbs.
 Per Bundle: 1 lbs.
 Per Pallet: N/A

PACKAGING

Per Bundle: 1 Each
 Per Carton: N/A

DRAWINGS SHOW ACTUAL DIMENSIONS



4" X 4" PRO-POST WRAP™

DRAWINGS SHOW ACTUAL DIMENSIONS

Function: Decorative wrap for use on porches and decks around structural and non-structural items

Part Description: Pro-Post Wrap 4x4 12' LP Ced 4Pc+Glue Kit

ACTUAL DIMENSIONS

Exposure: N/A
 Overlap: N/A
 Pieces per square: N/A
 Length: 144"
 Width: 5.075"
 Height: 5.075"
 Min. Thickness: 0.53"

COLOR AVAILABILITY
 Solid and DuoBlend Premium

CONSTRUCTION

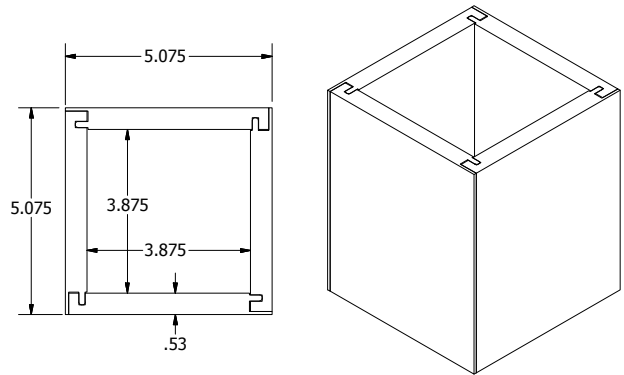
Substrate: Strand
 LP® SmartSide®
 Finish: Diamond Kote®
 Other: Glue Kit Included

WEIGHT

Per Piece: N/A
 Per Bundle: 35 lbs.
 Per Pallet: 1050 lbs.

PACKAGING

Per Bundle: 1
 Per Pallet: 30



4" X 6" PRO-POST WRAP™

DRAWINGS SHOW ACTUAL DIMENSIONS

Function: Decorative wrap for use on porches and decks around structural and non-structural items

Part Description: Pro-Post Wrap 4x6 12' LP Ced 4Pc+Glue Kit

ACTUAL DIMENSIONS

Exposure: N/A
 Overlap: N/A
 Pieces per square: N/A
 Length: 144"
 Width: 7.075"
 Height: 5.075"
 Min. Thickness: 0.53"

COLOR AVAILABILITY
 Solid and DuoBlend Premium

CONSTRUCTION

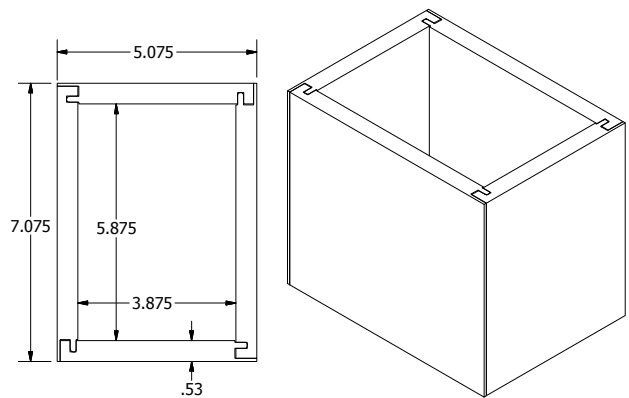
Substrate: Strand
 LP® SmartSide®
 Finish: Diamond Kote®
 Other: Glue Kit Included

WEIGHT

Per Piece: N/A
 Per Bundle: 42
 Per Pallet: 1134

PACKAGING

Per Bundle: 1
 Per Pallet: N/A



6" X 6" PRO-POST WRAP™

DRAWINGS SHOW ACTUAL DIMENSIONS

Function: Decorative wrap for use on porches and decks around structural and non-structural items

Part Description: Pro-Post Wrap 6x6 12' LP Ced 4Pc+Glue Kit

ACTUAL DIMENSIONS

Exposure: N/A
 Overlap: N/A
 Pieces per square: N/A
 Length: 144"
 Width: 7.075"
 Height: 7.075"
 Min. Thickness: 0.53"

COLOR AVAILABILITY
 Solid and DuoBlend Premium

CONSTRUCTION

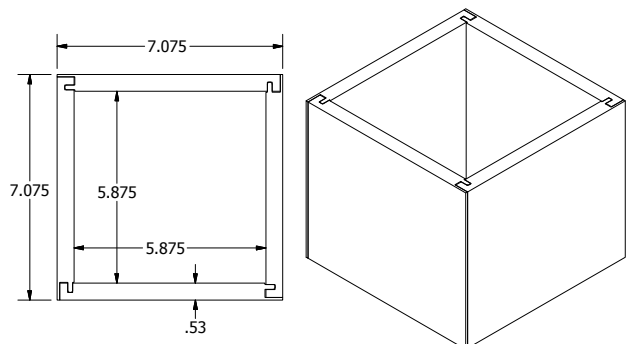
Substrate: Strand
 LP® SmartSide®
 Finish: Diamond Kote®
 Other: Glue Kit Included

WEIGHT

Per Piece: N/A
 Per Bundle: 49 lbs.
 Per Pallet: 1176 lbs.

PACKAGING

Per Bundle: 1
 Per Pallet: 24



8" PLOWED FASCIA

DRAWINGS SHOW ACTUAL DIMENSIONS

Function: Textured fascia to complete soffit system, covers 6" sub-fascia

Part Description: Fascia 8" Plow 4/4 Smart Ced

ACTUAL DIMENSIONS

Exposure: N/A
 Overlap: N/A
 Pieces per square: N/A
 Length: 192"
 Width: 7.21"
 Height: N/A
 Min. Thickness: 0.625"

COLOR AVAILABILITY
 Solid and DuoBlend Premium

CONSTRUCTION

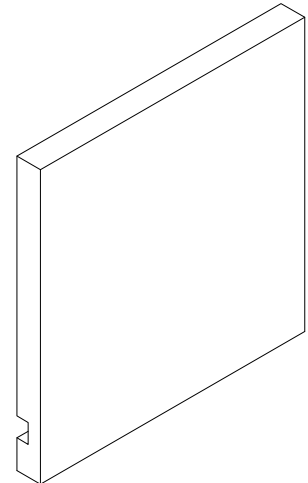
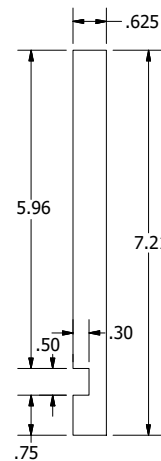
Substrate: Strand
 LP® SmartSide®
 Finish: Diamond Kote®
 Other: N/A

WEIGHT

Per Piece: 22 lbs.
 Per Bundle: 44 lbs.
 Per Pallet: 1320 lbs.

PACKAGING

Per Bundle: 2
 Per Pallet: 60



4X8 NO GROOVE SOFFIT

DRAWINGS SHOW ACTUAL DIMENSIONS

Function: Textured soffit panels for porches and large overhangs

Part Description: 4x8 3/8" Smart Soffit Ced No Groove

ACTUAL DIMENSIONS

Exposure: 47.875"
 Overlap: N/A
 Pieces per square: 3.125"
 Length: 96"
 Width: 47.875"
 Height: N/A
 Min. Thickness: 0.315"

COLOR AVAILABILITY
 Solid and DuoBlend Premium

CONSTRUCTION

Substrate: Strand
 LP® SmartSide®
 Finish: Diamond Kote®
 Other: N/A

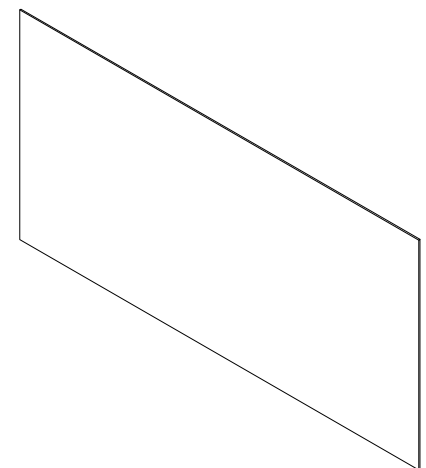
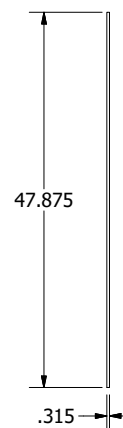
WEIGHT

Per Piece: 41.78 lbs.
 Per Bundle: N/A

PER PALLET: 1880.1LBS.

PACKAGING

Per Bundle: 1 Each
 Per Pallet: 45



10' SOFFIT CHANNEL

DRAWINGS SHOW ACTUAL DIMENSIONS

Function: Channel provides cover and concealment of the required expansion gap on LP® SmartSide® Soffit

Part Description: 1-1/2 in x 10' WG Soffit Channel

ACTUAL DIMENSIONS

Exposure: 120"
 Overlap: N/A
 Pieces per square: N/A
 Length: 120"
 Width: 1.5"
 Height: N/A
 Min. Thickness: 0.019"

COLOR AVAILABILITY
 Solid and DuoBlend Accent

CONSTRUCTION

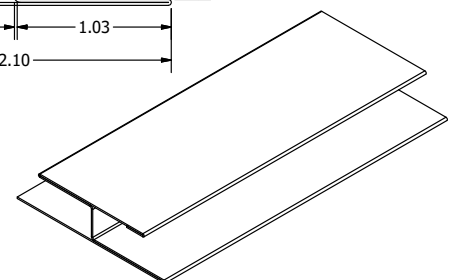
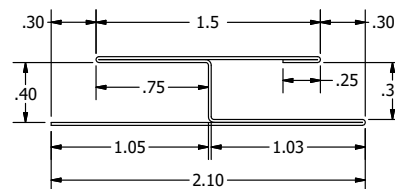
Substrate: Aluminium
 Finish: Coordinating Color
 Matches
 Other: N/A

WEIGHT

Per Piece: 1.3 lbs.
 Per Carton: 13 lbs.
 Per Pallet: 820 lbs.

PACKAGING

Per Carton: 10 pcs
 Per Pallet: 630 pcs



12" VENTED SOFFIT

Function: Soffit panel when venting is required
 Part Description: 12x16' 3/8" Smart Vented Soffit

ACTUAL DIMENSIONS

Exposure: N/A
 Overlap: N/A
 Pieces per square: N/A
 Ventilation: 10 Net Free Air,
 10 sq." / Lin.'
 Length: 192"
 Width: 11.94"
 Height: N/A
 Min. Thickness: 0.315"

COLOR AVAILABILITY

Solid and DuoBlend Premium

CONSTRUCTION

Substrate: Strand
 LP® SmartSide®
 Finish: Diamond Kote®
 Other: N/A

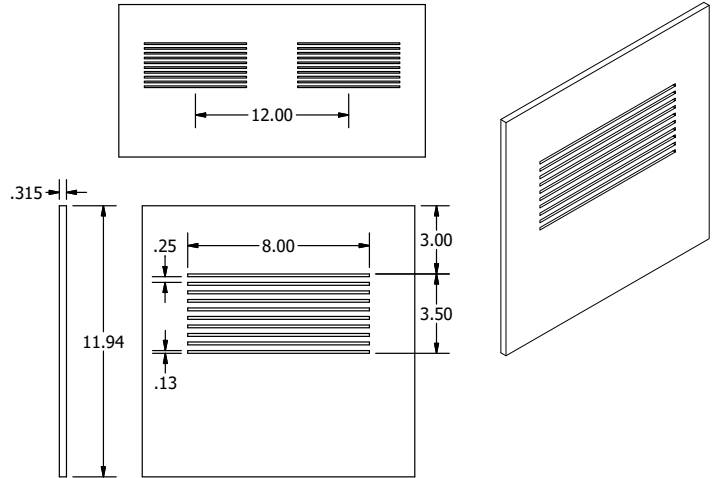
WEIGHT

Per Piece: 22.05 lbs.
 Per Bundle: N/A
 Per Pallet: 1940.4 lbs.

PACKAGING

Per Bundle: 1 Each
 Per Pallet: 88

DRAWINGS SHOW ACTUAL DIMENSIONS



16" VENTED SOFFIT

Function: Soffit panel when venting is required
 Part Description: 16x16' 3/8" Smart Vented Soffit

ACTUAL DIMENSIONS

Exposure: N/A
 Overlap: N/A
 Pieces per square: N/A
 Ventilation: 10 Net Free Air,
 10 sq." / Lin.'
 Length: 192"
 Width: 15.94"
 Height: N/A
 Min. Thickness: 0.315"

COLOR AVAILABILITY

Solid and DuoBlend Premium

CONSTRUCTION

Substrate: Strand
 LP® SmartSide®
 Finish: Diamond Kote®
 Other: N/A

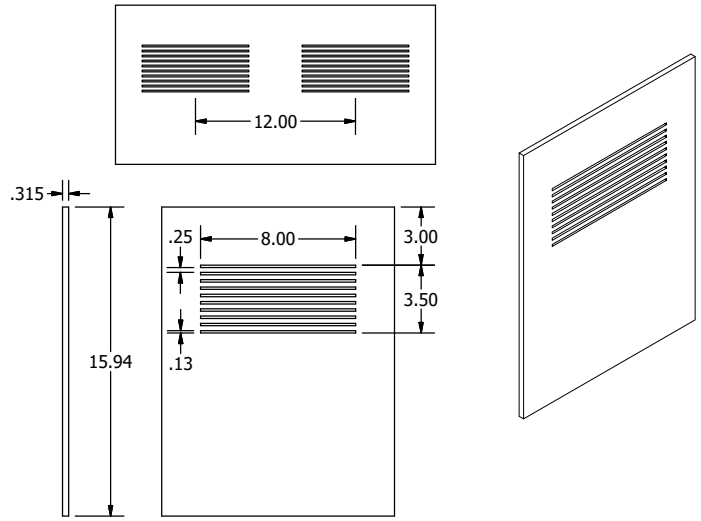
WEIGHT

Per Piece: 29.4 lbs.
 Per Bundle: N/A
 Per Pallet: 1940.4 lbs.

PACKAGING

Per Bundle: 1 Each
 Per Pallet: 66

DRAWINGS SHOW ACTUAL DIMENSIONS



24" VENTED SOFFIT

Function: Soffit panel when venting is required
 Part Description: 24x16' 3/8" Smart Vented Soffit

ACTUAL DIMENSIONS

Exposure: N/A
 Overlap: N/A
 Pieces per square: N/A
 Ventilation: 10 Net Free Air,
 10 sq." / Lin.'
 Length: 192"
 Width: 23.94"
 Height: N/A
 Min. Thickness: 0.315"

COLOR AVAILABILITY

Solid and DuoBlend Premium

CONSTRUCTION

Substrate: Strand
 LP® SmartSide®
 Finish: Diamond Kote®
 Other: N/A

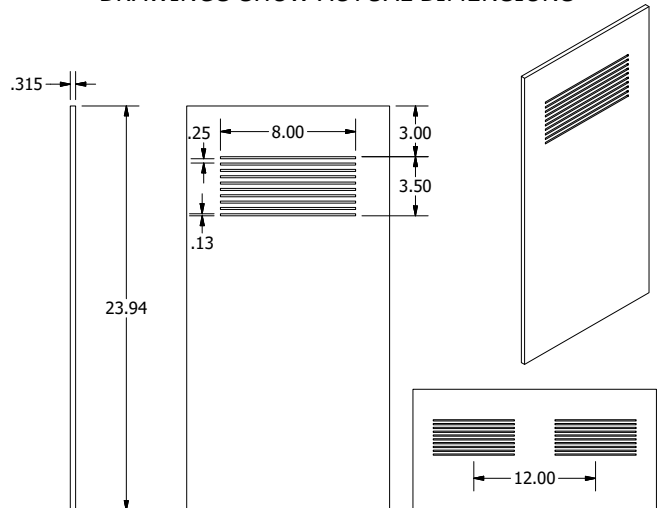
WEIGHT

Per Piece: 42.73 lbs.
 Per Bundle: N/A
 Per Pallet: 1880.12 lbs.

PACKAGING

Per Bundle: 1 Each
 Per Pallet: 44

DRAWINGS SHOW ACTUAL DIMENSIONS



12" SOLID SOFFIT

Function: Soffit panel when venting is not necessary
 Part Description: 12x16' 3/8" Smart Cedar Solid Soffit

ACTUAL DIMENSIONS

Exposure: N/A
 Overlap: N/A
 Pieces per square: N/A
 Length: 192"
 Width: 11.94"
 Height: N/A
 Min. Thickness: 0.315"

COLOR AVAILABILITY

Solid and DuoBlend Premium

CONSTRUCTION

Substrate: Strand
 LP® SmartSide®
 Finish: Diamond Kote®
 Other: N/A

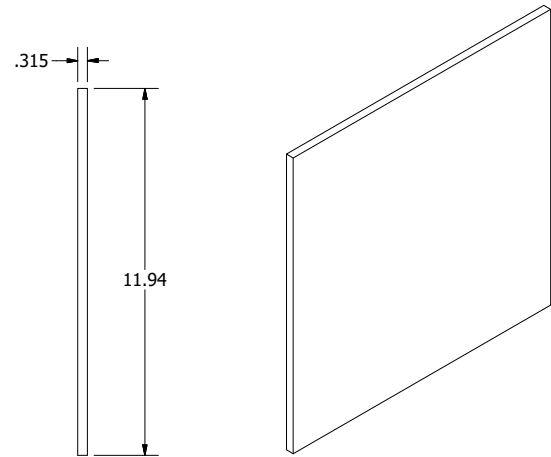
WEIGHT

Per Piece: 23.38 lbs.
 Per Bundle: N/A
 Per Pallet: 2057.44 lbs.

PACKAGING

Per Bundle: 1 Each
 Per Pallet: 88

DRAWINGS SHOW ACTUAL DIMENSIONS



16" SOLID SOFFIT

Function: Soffit panel when venting is not necessary
 Part Description: 16x16' 3/8" Smart Cedar Solid Soffit

ACTUAL DIMENSIONS

Exposure: N/A
 Overlap: N/A
 Pieces per square: N/A
 Length: 192"
 Width: 15.94"
 Height: N/A
 Min. Thickness: 0.315"

COLOR AVAILABILITY

Solid and DuoBlend Premium

CONSTRUCTION

Substrate: Strand
 LP® SmartSide®
 Finish: Diamond Kote®
 Other: N/A

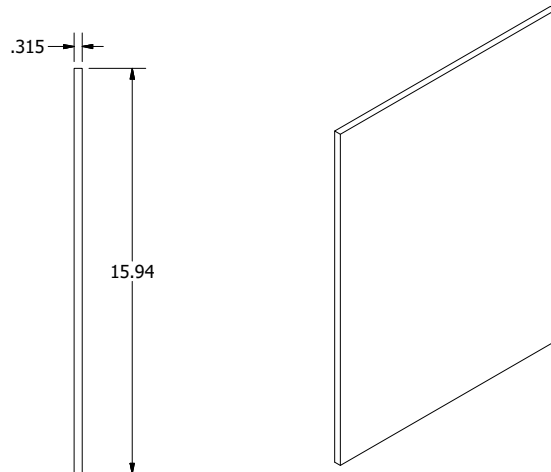
WEIGHT

Per Piece: 30.15 lbs.
 Per Bundle: N/A
 Per Pallet: 1989.9 lbs.

PACKAGING

Per Bundle: 1 Each
 Per Pallet: 66

DRAWINGS SHOW ACTUAL DIMENSIONS



24" SOLID SOFFIT

Function: Soffit panel when venting is not necessary
 Part Description: 24x16' 3/8" Smart Cedar Solid Soffit

ACTUAL DIMENSIONS

Exposure: N/A
 Overlap: N/A
 Pieces per square: N/A
 Length: 192"
 Width: 23.94"
 Height: N/A
 Min. Thickness: 0.315"

COLOR AVAILABILITY

Solid and DuoBlend Premium

CONSTRUCTION

Substrate: Strand
 LP® SmartSide®
 Finish: Diamond Kote®
 Other: N/A

WEIGHT

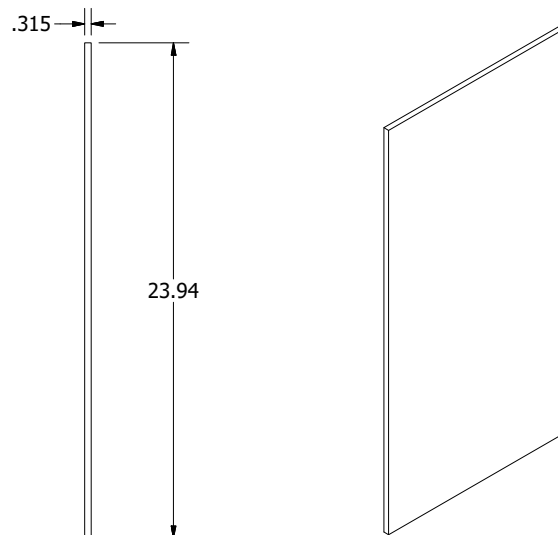
Per Piece: 46.18 lbs.
 Per Bundle: N/A

PER PALLET: 2031.92 LBS.

PACKAGING

Per Bundle: 1 Each
 Per Pallet: 44

DRAWINGS SHOW ACTUAL DIMENSIONS



DIVERTER FLASHING

DRAWINGS SHOW ACTUAL DIMENSIONS

Function: Diverts roof water runoff away from siding to roof intersections

Part Description: Dryflekt Diverter Flash Poly 6x6x14.5

ACTUAL DIMENSIONS

Exposure: N/A
 Overlap: N/A
 Pieces per square: N/A
 Length: 14.5"
 Width: 6"
 Height: 6"
 Min. Thickness: 0.125

COLOR AVAILABILITY
 Dryflekt Standard Colors

CONSTRUCTION

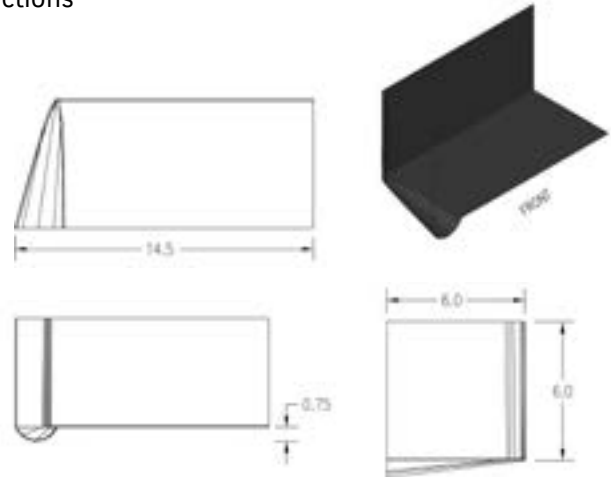
Substrate: Thermoplastic Polyolefin (TPO)
 Finish: Through Molded Color

WEIGHT

Per Piece: 0.56 lbs.
 Per Carton: 14 lbs.
 Per Pallet: N/A

PACKAGING

Per Bundle: 1 Each
 Per Carton: 25



DRIP CAP

DRAWINGS SHOW ACTUAL DIMENSIONS

Function: Protects top edge of horizontal trims against water penetration

Part Description: 1"x10/0 Drip Cap Sm Alum

ACTUAL DIMENSIONS

Exposure: 0.31"
 Overlap: N/A
 Pieces per square: N/A
 Length: 120"
 Width: 1.00"
 Height: 1.84"
 Min. Thickness: 0.019"

COLOR AVAILABILITY
 Solid and DuoBlend Accent

CONSTRUCTION

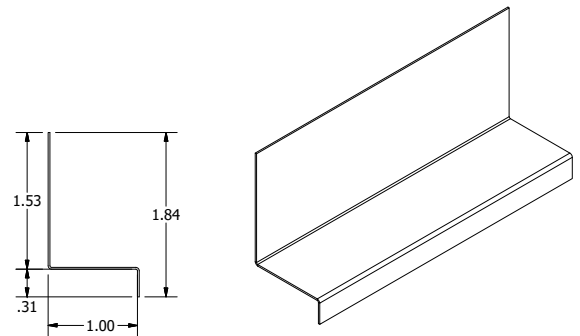
Substrate: Aluminium
 Finish: Coordinating color matches

WEIGHT

Per Piece: 0.70 lbs.
 Per Carton: 17.5 lbs.
 Per Pallet: 735 lbs.

PACKAGING

Per Carton: 25
 Per Pallet: 1050



SPACER FLASHING

DRAWINGS SHOW ACTUAL DIMENSIONS

Function: Spacer used to keep siding and trim products the required distance away from roof lines or decking

Part Description: 1"x2" 10' Spacer Flash

ACTUAL DIMENSIONS

Exposure: 2"
 Overlap: N/A
 Pieces per square: N/A
 Length: 120"
 Width: 1"
 Height: 4"
 Min. Thickness: 0.019"

COLOR AVAILABILITY
 Solid and DuoBlend Accent

CONSTRUCTION

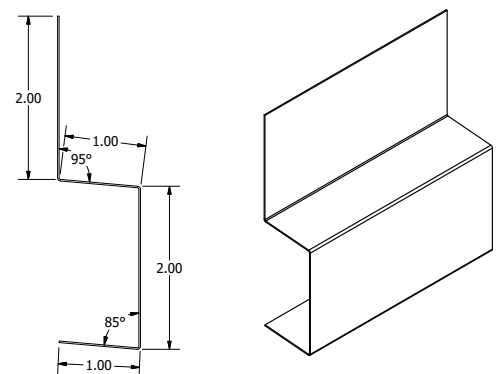
Substrate: Woodgrain Embossed Aluminium
 Finish: Coordinating color matches

WEIGHT

Per Piece: 1.10 lbs.
 Per Carton: 11 lbs.
 Per Pallet: N/A

PACKAGING

Per Carton: 10
 Per Pallet: N/A



BRICK LEDGE FLASHING

Function: Flashing used above stone or brick sills when transitioning to a different cladding

Part Description: 2"x10' Brick Ledge Flash

ACTUAL DIMENSIONS

Exposure: 2.38"

Overlap: N/A

Pieces per square: N/A

Length: 120"

Width: N/A

Height: 2.12"

Min. Thickness: 0.019"

COLOR AVAILABILITY

Solid and DuoBlend Accent

CONSTRUCTION

Substrate: Aluminium

Finish: Coordinating color matches

WEIGHT

Per Piece: 1.10 lbs.

Per Carton: 11 lbs.

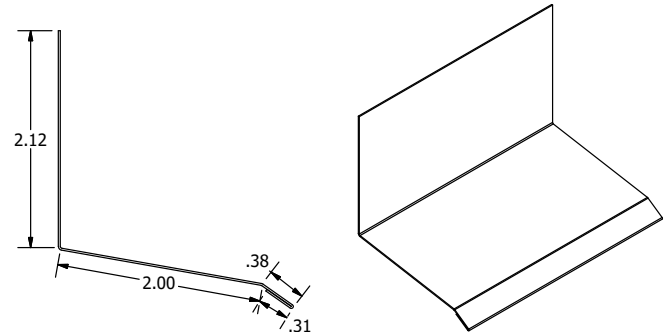
Per Pallet: N/A

PACKAGING

Per Carton: 10

Per Pallet: N/A

DRAWINGS SHOW ACTUAL DIMENSIONS



Z-FLASHING

Function: Protects top edge of horizontal panel joints against water penetration

Part Description: 7/16" x 10/0 Z Flash Sm Alum

ACTUAL DIMENSIONS

Exposure: 0.31"

Overlap: N/A

Pieces per square: N/A

Length: 120"

Width: 0.44"

Height: 2.41"

Min. Thickness: 0.019"

COLOR AVAILABILITY

Solid and DuoBlend Accent

CONSTRUCTION

Substrate: Aluminium

Finish: Coordinating color matches

WEIGHT

Per Piece: 0.70 lbs.

Per Carton: 17.5 lbs.

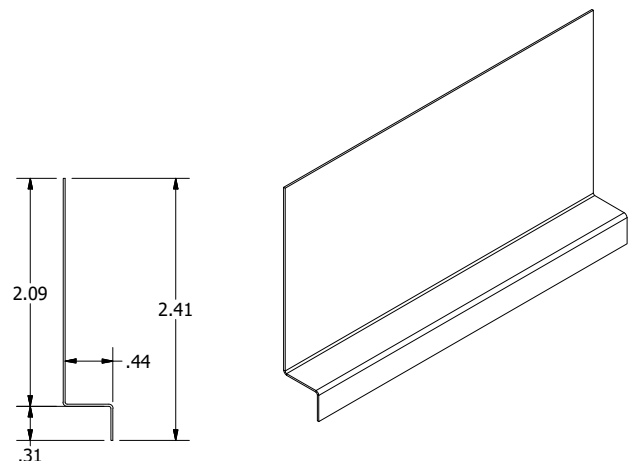
Per Pallet: 735 lbs.

PACKAGING

Per Carton: 25

Per Pallet: 1050

DRAWINGS SHOW ACTUAL DIMENSIONS



FLASHINGS

J-CHANNEL

Function: Caps siding cuts in gable ends when F-Channel design does not allow for easy caulking

Part Description: 7/8" J Chan Smooth 10'

ACTUAL DIMENSIONS

Exposure: 0.63"
 Overlap: N/A
 Pieces per square: N/A
 Length: 120"
 Width: 0.88"
 Height: 1.38"
 Min. Thickness: 0.019"

COLOR AVAILABILITY

Solid and DuoBlend Accent

CONSTRUCTION

Substrate: Aluminium
 Finish: Coordinating color matches
 Other: N/A

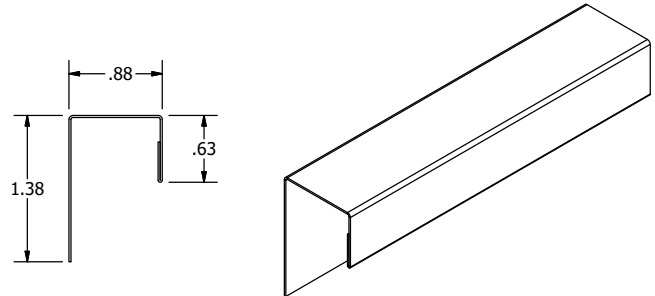
WEIGHT

Per Piece: 0.78 lbs.
 Per Carton: 19.5 lbs.
 Per Pallet: N/A

PACKAGING

Per Carton: 25
 Per Pallet: 100

DRAWINGS SHOW ACTUAL DIMENSIONS



TRIM COIL

Function: For bending custom metal accessories on site

Part Description: 24x50 Smooth Trim Coil

ACTUAL DIMENSIONS

Exposure: N/A
 Overlap: N/A
 Pieces per square: N/A
 Length: 50'
 Width: 24"
 Height: N/A
 Min. Thickness: 0.019"

COLOR AVAILABILITY

See below for color match chart

CONSTRUCTION

Substrate: Aluminium
 Finish: Coordinating color matches

WEIGHT

Per Piece: 25 lbs.
 Per Carton: 25 lbs.
 Per Pallet: 1200 lbs.

PACKAGING

Per Carton: 1
 Per Pallet: 25



COLOR	QE MATCH
Bordeaux	QE 662
Cascade	QE 659
Clay	QE 354
Coffee	QE 507
Emerald	QE 658
French Gray	QE 407
Glacier Fog	QE 660
Graphite	QE 414
Light Gray	QE 361
Midnight	QE 657
Mountain Lake	QE 364

COLOR	QE MATCH
Olive	QE 767
Onyx	QE 518
Oyster Shell	QE 509
Pelican	QE 355
Sand	QE 177
Seal	QE 358
Smoky Ash	QE 363
Terra Bronze	QE 511
Umber	QE 661
White	QE 503

COLOR	QE MATCH
Bedrock Accent	N/A
Canyon Accent	QE 655
Chestnut Accent	N/A
Elkhorn Accent	N/A
Grizzly Accent	N/A
Mahogany Accent	N/A

5" H-MOLDING

DRAWINGS SHOW ACTUAL DIMENSIONS

Function: H-moldings provide cover and concealment of the required expansion gap

Part Description: 5" H-molding WG 6x3/8 LP

ACTUAL DIMENSIONS

Exposure: 4.94"
 Overlap: N/A
 Pieces per square: 15.6
 (Long wall - no openings)
 Length: 4.94"
 Width: 0.48"
 Height: N/A
 Min. Thickness: 0.019"

COLOR AVAILABILITY

Solid and DuoBlend Accent

CONSTRUCTION

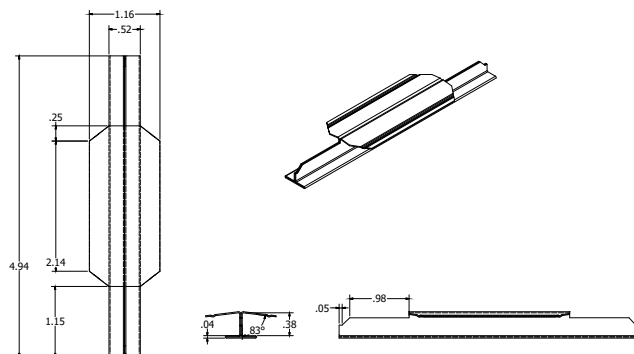
Substrate: Aluminium
 Finish: Diamond Kote®
 Other: N/A

WEIGHT

Per Piece: 0.022 lbs.
 Per Bag: 0.55 lbs.
 Per Pallet: N/A

PACKAGING

Per Bag: 25
 Per Box: 100



7" H-MOLDING

DRAWINGS SHOW ACTUAL DIMENSIONS

Function: H-moldings provide cover and concealment of the required expansion gap

Part Description: 7" H-molding WG 8x3/8 LP p

ACTUAL DIMENSIONS

Exposure: 6.94"
 Overlap: N/A
 Pieces per square: 10.8
 (Long wall - no openings)
 Length: 6.94"
 Width: 0.48"
 Height: N/A
 Min. Thickness: 0.019"

COLOR AVAILABILITY

Solid and DuoBlend Accent

CONSTRUCTION

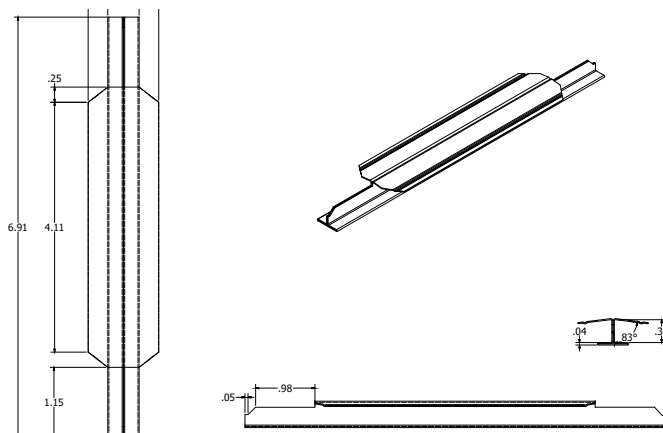
Substrate: Aluminium
 Finish: Diamond Kote®
 Other: N/A

WEIGHT

Per Piece: 0.03 lbs.
 Per Bag: 0.75 lbs.
 Per Pallet: N/A

PACKAGING

Per Bag: 25
 Per Box: 100



11" H-MOLDING

DRAWINGS SHOW ACTUAL DIMENSIONS

Function: H-moldings provide cover and concealment of the required expansion gap

Part Description: 11" H-molding WG 12x3/8 LP

ACTUAL DIMENSIONS

Exposure: 10.94"
 Overlap: N/A
 Pieces per square: 7.2
 (Long wall - no openings)
 Length: 10.94"
 Width: 0.48"
 Height: N/A
 Min. Thickness: 0.019"

COLOR AVAILABILITY

Solid and DuoBlend Accent

CONSTRUCTION

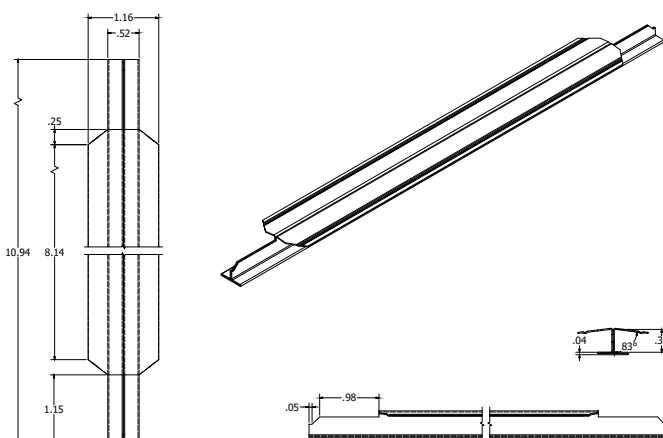
Substrate: Aluminium
 Finish: Diamond Kote®
 Other: N/A

WEIGHT

Per Piece: 0.04 lbs.
 Per Bag: 1 lbs.
 Per Pallet: N/A

PACKAGING

Per Bag: 25
 Per Box: 100



UNIVERSAL RIGIDMOUNT™

Function: Designed for mounting exterior lighting; intake/exhaust vents
 Part Description: RigidMount Universal

ACTUAL DIMENSIONS

Exposure: N/A
 Overlap: N/A
 Pieces per square: N/A
 Length: N/A
 Width: 8.25"
 Height: 10.31"
 Min. Thickness: 1.125"

COLOR AVAILABILITY
 Solid and DuoBlend Premium

CONSTRUCTION

Substrate: Strand
 LP® SmartSide®
 Finish: Diamond Kote®
 Other: ABS Back Plate

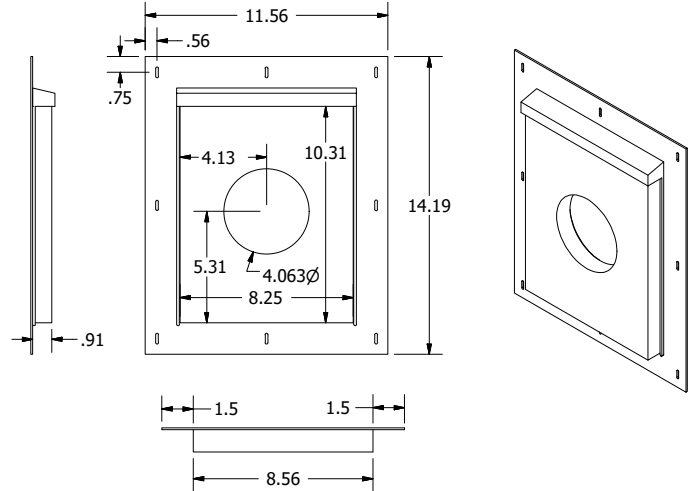
WEIGHT

Per Piece: 2.33 lbs.
 Per Carton: 23.33 lbs.
 Per Pallet: N/A

PACKAGING

Per Carton: 10
 Per Pallet: N/A

DRAWINGS SHOW ACTUAL DIMENSIONS



BLANK UNIVERSAL RIGIDMOUNT™

Function: Multi-purpose mounting surface; field modify as needs require
 Part Description: RigidMount Universal Blank

ACTUAL DIMENSIONS

Exposure: N/A
 Overlap: N/A
 Pieces per square: N/A
 Length: N/A
 Width: 8.25"
 Height: 10.313"
 Min. Thickness: 1.125"

COLOR AVAILABILITY
 Solid and DuoBlend Premium

CONSTRUCTION

Substrate: Strand
 LP® SmartSide®
 Finish: Diamond Kote®
 Other: ABS Back Plate

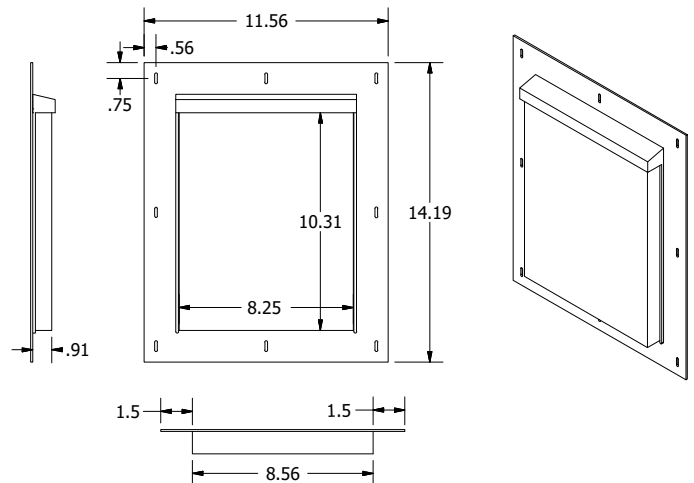
WEIGHT

Per Piece: 2.5 lbs.
 Per Carton: 25 lbs.
 Per Pallet: N/A

PACKAGING

Per Carton: 10
 Per Pallet: N/A

DRAWINGS SHOW ACTUAL DIMENSIONS



UL ELECTRICAL RIGIDMOUNT™

Function: Built in drip cap; hidden fastener nailing flange; woodgrain parallel to grain on adjacent siding
 Part Description: RigidMount UL Electrical

ACTUAL DIMENSIONS

Exposure: N/A
 Overlap: N/A
 Pieces per square: N/A
 Length: N/A
 Width: 5.94"
 Height: 6.94"
 Min. Thickness: 1.45"

COLOR AVAILABILITY

Solid and DuoBlend Premium

CONSTRUCTION

Substrate: Strand
 LP® SmartSide®
 Finish: Diamond Kote®
 Other: ABS Back Plate

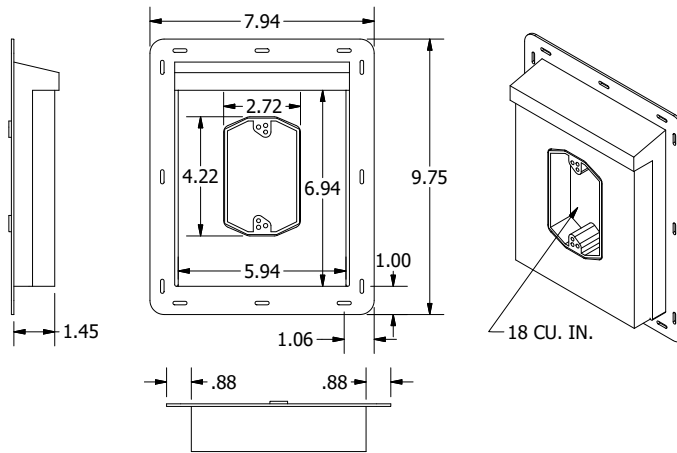
WEIGHT

Per Piece: 1.4 lbs.
 Per Carton: 14 lbs.
 Per Pallet: N/A

PACKAGING

Per Carton: 10
 Per Pallet: N/A

DRAWINGS SHOW ACTUAL DIMENSIONS



RECEPTACLE RIGIDMOUNT™

Function: For mounting outlets in remodel situations
 Part Description: RigidMount Receptacle

ACTUAL DIMENSIONS

Exposure: N/A
 Overlap: N/A
 Pieces per square: N/A
 Length: N/A
 Width: 5.88"
 Height: 7.69"
 Min. Thickness: 1.125"

COLOR AVAILABILITY

Solid and DuoBlend Premium

CONSTRUCTION

Substrate: Strand
 LP® SmartSide®
 Finish: Diamond Kote®

OTHER: ABS BACK PLATE

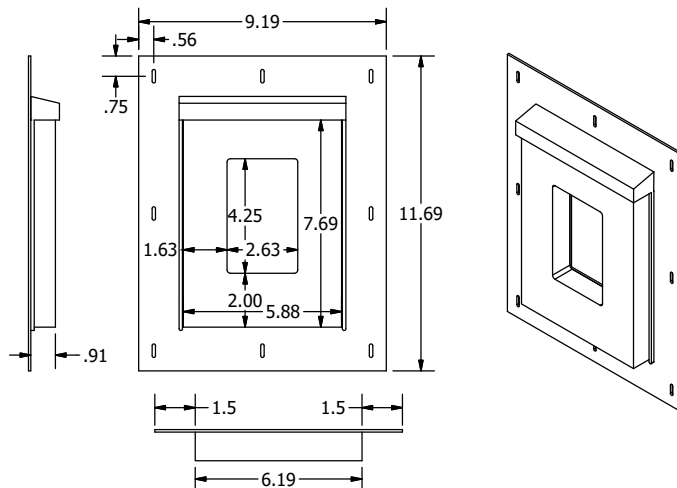
WEIGHT

Per Piece: 1.45 lbs.
 Per Carton: 14.5 lbs.
 Per Pallet: N/A

PACKAGING

Per Carton: 10
 Per Pallet: N/A

DRAWINGS SHOW ACTUAL DIMENSIONS



PERSONALIZED RIGIDMOUNT™

Function: Displays black or white personalized address numbers/letters. Limit of 6 characters.

Part Description: RigidMount Personalized

ACTUAL DIMENSIONS

Exposure: N/A
 Overlap: N/A
 Pieces per square: N/A
 Length: N/A
 Width: 15.88"
 Height: 8.8"
 Min. Thickness: 1.125"

COLOR AVAILABILITY

Solid and DuoBlend Premium

CONSTRUCTION

Substrate: Strand
 LP® SmartSide®
 Finish: Diamond Kote®
 Other: ABS Back Plate

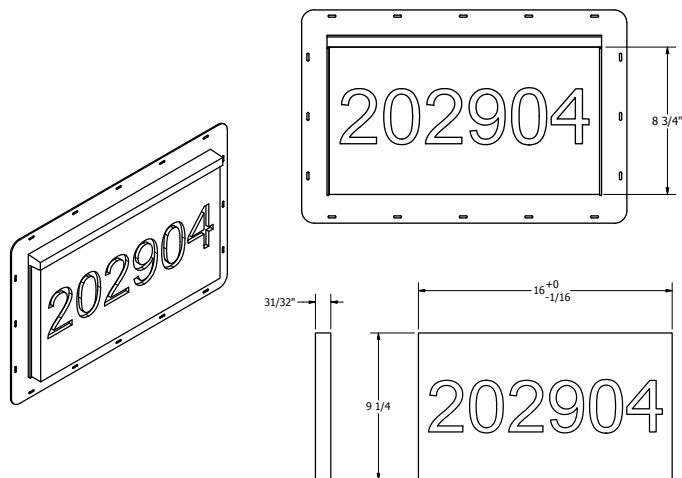
WEIGHT

Per Piece: 3.33 lbs.
 Per Carton: 33.3 lbs.
 Per Pallet: N/A

PACKAGING

Per Carton: 10
 Per Pallet: N/A

DRAWINGS SHOW ACTUAL DIMENSIONS



BLANK HORIZONTAL RIGIDMOUNT™

Function: Designed to allowing for easy pass through for HVAC piping or any mix of wall utilities.

Part Description: RigidMount Blank Horizontal

ACTUAL DIMENSIONS

Exposure: N/A
 Overlap: N/A
 Pieces per square: N/A
 Length: N/A
 Width: 15.88"
 Height: 8.8"
 Min. Thickness: 1.125"

COLOR AVAILABILITY

Solid and DuoBlend Premium

CONSTRUCTION

Substrate: Strand
 LP® SmartSide®
 Finish: Diamond Kote®
 Other: ABS Back Plate

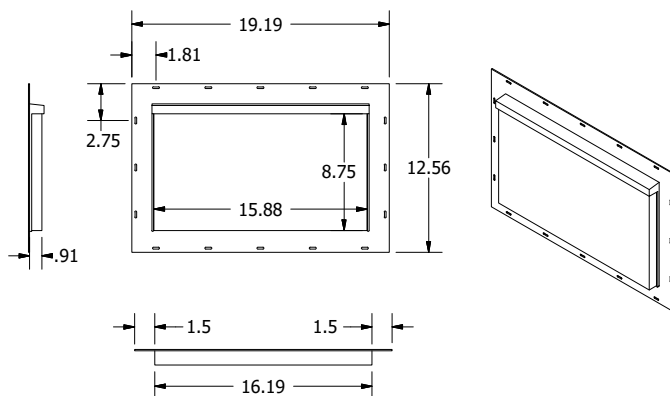
WEIGHT

Per Piece: 3.33 lbs.
 Per Carton: 33.3 lbs.
 Per Pallet: N/A

PACKAGING

Per Carton: 10
 Per Pallet: N/A

DRAWINGS SHOW ACTUAL DIMENSIONS



STARTER OPTIONS

METAL STARTER STRIP

DRAWINGS SHOW ACTUAL DIMENSIONS

Function: Used to start first course of Lap Siding, RigidStack and Straight Edge RigidShakes.

Part Description: Starter Steel 2-1/2 10/0 Galv 25/Ct

ACTUAL DIMENSIONS

Exposure: N/A
Overlap: N/A
Pieces per square: N/A
Length: 120"
Width: N/A
Height: 2.5"
Min. Thickness: 0.013"

COLOR AVAILABILITY

N/A

CONSTRUCTION

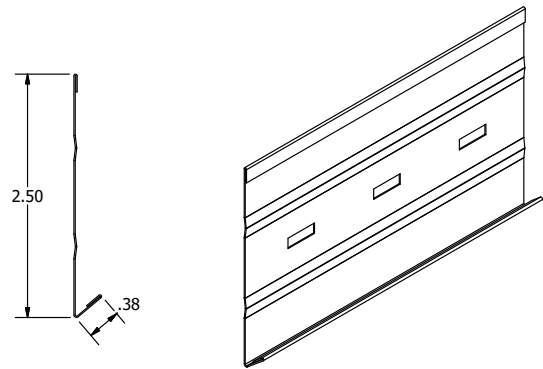
Substrate: Steel
Finish: Galvanized
Other: N/A

WEIGHT

Per Piece: 1.4 lbs.
Per Carton: 35 lbs.
Per Pallet: 2520 lbs.

PACKAGING

Per Carton: 25
Per Pallet: 1800



8" SOLID STARTER BOARD

DRAWINGS SHOW ACTUAL DIMENSIONS

Function: Transition piece between the ground and the first course of siding for install requirements

Part Description: TruExterior® Starter

ACTUAL DIMENSIONS

Exposure: 5.81"
Overlap: 1.125"
Pieces per square:
Length: 16'
Width: 7.25"
Height: N/A
Min. Thickness: .75"

COLOR AVAILABILITY

Solid

CONSTRUCTION

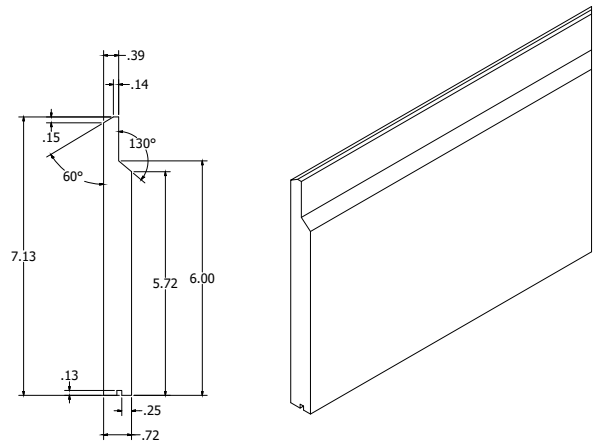
Substrate: TruExterior®
Finish: Diamond Kote®
Other: N/A

WEIGHT

Per Piece: 31.52 lbs
Per Bundle: 63.04 lbs
Per Pallet: 1512.96 lbs

PACKAGING

Per Bundle: 2 per pack
Per Pallet: 24 Pk



8" DUOBLEND STARTER BOARD

DRAWINGS SHOW ACTUAL DIMENSIONS

Function: Transition piece between the ground and the first course of siding for installation requirements

Part Description: Starter 1x8-16 Certatrim

ACTUAL DIMENSIONS

Exposure: 5.81"
Overlap: 1.125"
Pieces per square: N/A
Length: 192"
Width: 7.25"
Height: N/A
Min. Thickness: 0.75"

COLOR AVAILABILITY

DuoBlend Premium

CONSTRUCTION

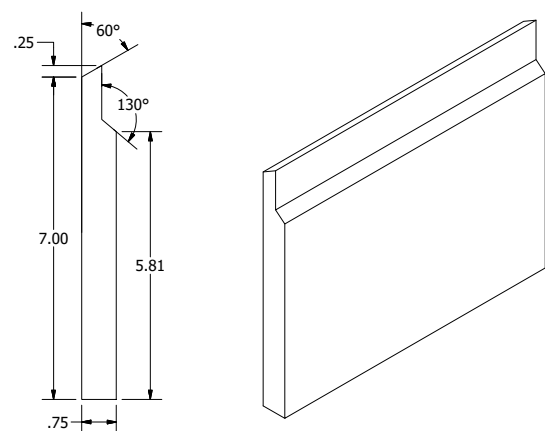
Substrate: PVC
Finish: Diamond Kote®
Other: N/A

WEIGHT

Per Piece: 23.61 lbs.
Per Bundle: 47.22 lbs.
Per Pallet: 1699.92 lbs.

PACKAGING

Per Bundle: 2
Per Pallet: 72



1-3/4" RING SHANK HAND DRIVE NAILS

DRAWINGS SHOW ACTUAL DIMENSIONS

Function: Recommended for hand fastening of Nail Fin Corners and Nail Fin Trim

Part Description: 1-3/4" DK Nail RS 5# Box R-104A

ACTUAL DIMENSIONS

Drive Type: Hand
Shank Design: Ring
Tensile Strength: N/A
Shear Strength: N/A
Length: 1.72"
Head: 0.375"
Gauge: 0.120"

COLOR AVAILABILITY

N/A

CONSTRUCTION

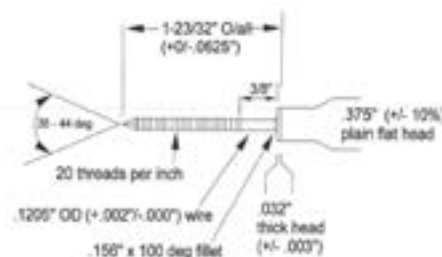
Substrate: Steel
Finish: Stormguard®
Double Hot-Dip
Galvanized ASTM A153
Compliant

Weight

Per Pound: 156 lbs.
Per Box: 5# lbs.
Per Carton: 30 lbs.
Per Pallet: N/A

PACKAGING

Per Box: 780
Per Carton: 6 Bx./ Ct.



2-1/2" PAINTED NAILS

DRAWINGS SHOW ACTUAL DIMENSIONS

Function: Recommended for face nailing pre-finished LP® SmartSide®

Part Description: 2-1/2" 5# 8D DK Nails

ACTUAL DIMENSIONS

Drive Type: Hand
Shank Design: Plain
Tensile Strength: N/A
Shear Strength: N/A
Length: 2.47" - 8D
Head: 0.281"
Gauge: 0.113"

COLOR AVAILABILITY

Solid and
DuoBlend Accent

CONSTRUCTION

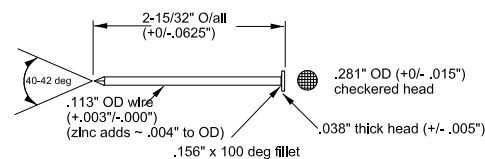
Substrate: Steel
Finish: Dip painted to
match Siding Colors and
Stormguard®
Double Hot-Dip
Galvanized Astm A153
Compliant

Weight

Per Pound: 123 lbs.
Per Box: 5# lbs.
Per Carton: 30 lbs.
Per Pallet: N/A

PACKAGING

Per Box: 615
Per Carton: 3690



CORTEX SCREW & PLUGS FOR PVC

DRAWINGS SHOW ACTUAL DIMENSIONS

Function: For the installation of Starter Board

Part Description: Cortex White WG 50/250/750 Lf/Bx Screw & Plug

ACTUAL DIMENSIONS

Drive Type:
#20 Torx® ttap®
Shank Design:
Dual Lead 12 Threads/
Inch
Tensile Strength: 1,694
Lbf
Shear Strength: 1,861
Lbf
Length: 2"
Shank Size: #9

COLOR AVAILABILITY

N/A

CONSTRUCTION

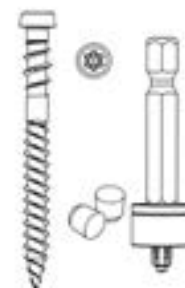
Substrate:
Carbon Steel
Other: PVC Plug

Weight

Per Pound: N/A
Per Box: 4.033 lbs.
Per Carton: 24.19 lbs.
Per Pallet: N/A

PACKAGING

Per Box: 375
Screws/400 Plug
Per Carton: 6 Bx./ Ct.



MOISTURE MANAGEMENT SYSTEM

9'X100' 5D BUILDING WRAP

Function: A cross-woven polyolefin building wrap designed with an enhanced contour to facilitate the drainage of water that penetrates exterior cladding.

Part Description: 9'x100' Diamond Kote 5D Building Wrap 60/PT

10'X100' 5D BUILDING WRAP

Function: A cross-woven polyolefin building wrap designed with an enhanced contour to facilitate the drainage of water that penetrates exterior cladding.

Part Description: 10'x100' Diamond Kote 5D Building Wrap 60/PT

HOUSEWRAP TAPE

Function: An aggressive joint sealing tape well-suited for reducing air infiltration through wall systems.

Part Description: 1-7/8"x55yd Diamond Kote Housewrap Tape 24 RL/CT

4"X75' BUILDING TAPE

Function: A high performance window and door flashing tape designed to be applied down to -20°F(-28°C) without the use of primer or mechanical fasteners on most substrates.

Part Description: 4"x75' DK HP Building Flashing Tape 12RL/CT

6"X75' BUILDING TAPE

Function: A high performance window and door flashing tape designed to be applied down to -20°F(-28°C) without the use of primer or mechanical fasteners on most substrates.

Part Description: 6"x75' DK HP Building Flashing Tape 8RL/CT

6"X50' FLEX TAPE

Function: A cold applied self-adhering membrane composed of a flexible cross laminated High Density Polyethylene creped film coated with a layer of rubberized asphalt.

Part Description: 6"x50' Diamond Kote Flex Tape 2RL/CT

TOUCH-UP

8OZ TOUCH-UP BOTTLE

Kit Includes: One 8oz bottle of paint, one sponge applicator.

Part Description: 8oz DK Touch-Up Bottle w/ Brush

QUART TOUCH-UP KIT

Kit Includes: One quart of paint, two sponge applicators, one 5-pack of touch-up pens, one touch-up roller, one 3-pack of replacement touch-up roller heads.


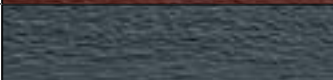




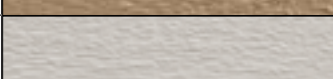





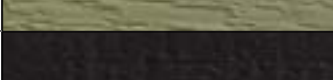








Part Description: Quart DK Touch-Up Kits





GALLON TOUCH-UP KIT

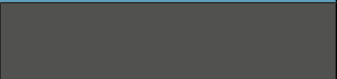
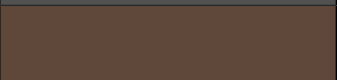
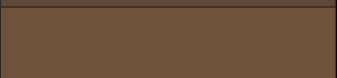

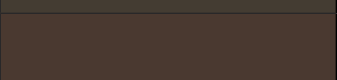

Kit Includes: One gallon of paint, two sponge applicators, one 5-pack of touch-up pens, one touch-up roller, one 3-pack of replacement touch-up roller heads.

Part Description: Gallon DK Touch-Up Kits

COLOR AVAILABILITY

SOLID	
Bordeaux	
Cascade	
Clay	
Coffee	
Emerald	
French Gray	
Glacier Fog	
Graphite	
Light Gray	
Midnight	
Mountain Lake	
Olive	
Onyx	
Oyster Shell	
Pelican	
Sand	
Seal	
Smoky Ash	
Terra Bronze	
Umber	
White	

DUOBLEND PREMIUM	
Bedrock	
Canyon	
Chestnut	
Elkhorn	
Grizzly	
Mahogany	

DUOBLEND ACCENTS	
Bedrock Accent	
Canyon Accent	
Chestnut Accent	
Elkhorn Accent	
Grizzly Accent	
Mahogany Accent	

*Actual color may vary from the color show.
Always refer to a product sample for accurate color.*

2023 PRODUCT GUIDE

DIAMOND KOTE® Building Products

Diamond Kote® Building Products offers a Complete Siding System™ designed to create an efficient installation for professionals and a flawless finished product for homeowners. Our Solid, DuoBlend, and Custom Colors are backed by an industry-leading 30-Year No Fade Warranty.

Due to limitations of the printing process, actual color may vary from the color shown. **Always refer to a product sample for accurate color.**

Diamond Kote® Building Products reserves the right to change the product features and specifications without prior notice. Photography herein may not represent current product offering. Diamond Kote® is a registered trademark of Wausau Supply Co.

Cal. Prop 65 Warning: This product can expose you to chemicals known to the State of California to cause cancer, birth defects or other reproductive harm. For more information go to www.P65Warnings.ca.gov